

6

5

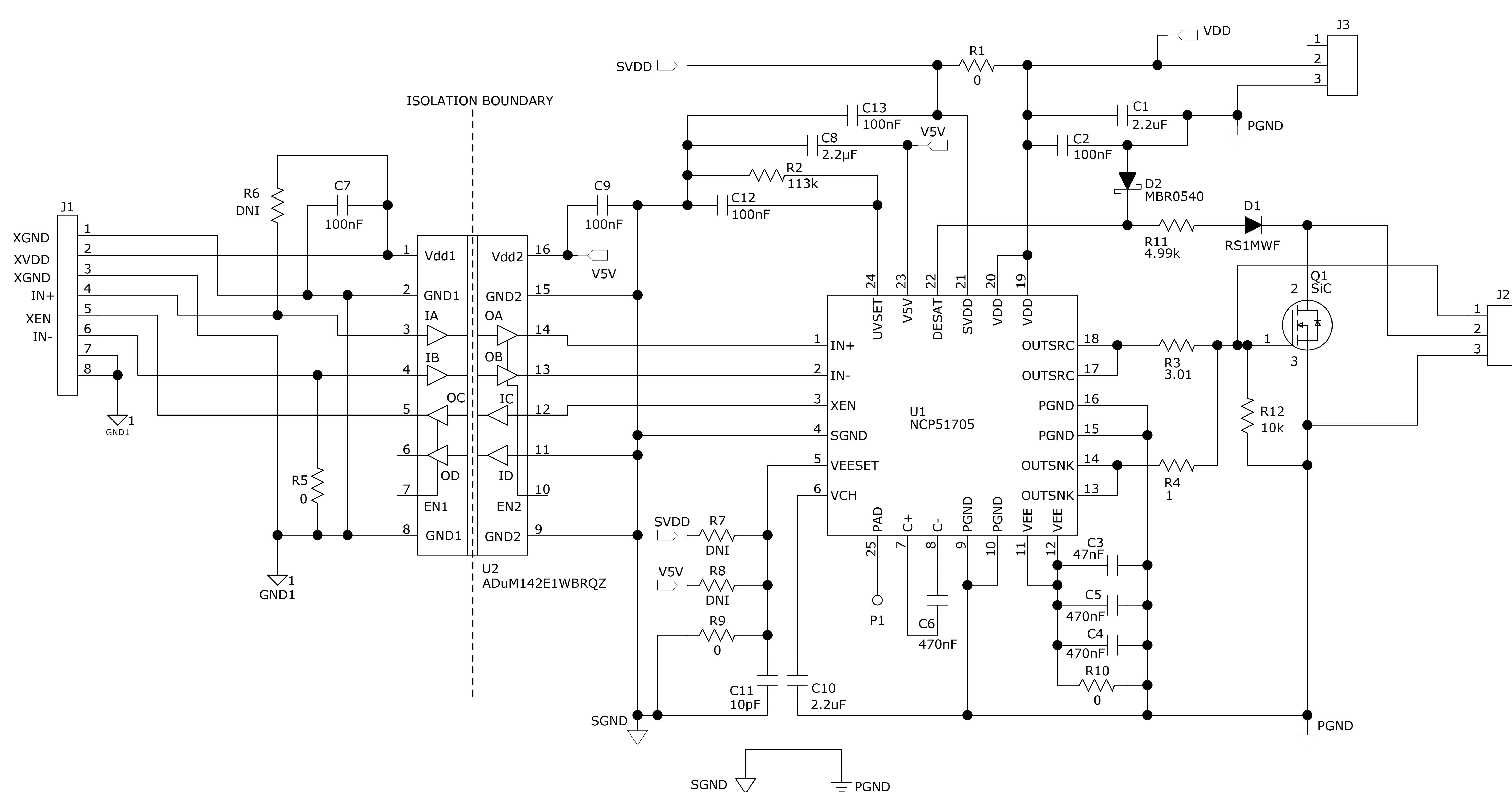
4

3

2

1

REVISION RECORD			
LTR	ECO NO:	APPROVED:	DATE:



NOTE: Make single point connection from SGND to PGND on PCB

COMPANY: ON SEMICONDUCTOR			
TITLE: NCP15705 SiC DRIVER BOARD STANDARD			
DRAWN: S. Mappus	DATED: 04/05/19	SIZE: C	DRAWING NO: REV: 1.1
SCALE: 1:1		SHEET: 1 OF 2	

6

5

4

3

2

1

REVISION RECORD			
LTR	ECO NO:	APPROVED:	DATE:

REVISION RECORD

DATE	CHANGE	REASON
4/5/19	Added symbols connecting SGND and PGND	To clarify SGND and PGND connection.

COMPANY: ON SEMICONDUCTOR			
TITLE: NCP15705 SiC DRIVER BOARD STANDARD			
CODE:	SIZE: C	DRAWING NO:	REV: 1.1
SCALE: 1:1		SHEET 2 OF 2	

DRAWN: S. Mappus	DATED: 04/05/19
CHECKED:	DATED:
QUALITY CONTROL:	DATED:
RELEASED:	DATED:

D

D

C

C

B

B

A

A