

# NCP1680 - Totem Pole CrM Controller Evaluation Board User's Manual

## EVBUM2822/D

### Introduction

The NCP1680 is a Critical Conduction Mode (CrM) Power Factor Correction (PFC) controller IC designed to drive the bridgeless Totem Pole PFC (TPFC) topology. The bridgeless totem pole PFC consists of two totem pole legs: a fast switching leg driven at the PWM switching frequency and a second leg that operates at the AC line frequency. This topology eliminates the diode bridge present at the input of a conventional PFC circuit, allowing significant improvement in efficiency and power density.



Figure 1. NCP1680 Evaluation Board

The NCP1680 Evaluation Board (EVB) user guide demonstrates a universal line, 300 W totem pole PFC built using NCP1680. NCP1680 is intended for Industrial power supplies, Telecom/5G/Networking power, USB PD, Gaming consoles, UHD TV power supplies, and Lighting applications. TPFC topology eliminates the need for heatsinks or forced air in the NCP1680 EVB while operating at an ambient of 25°C.

Table 1. KEY SPECIFICATIONS

Description	Value	Unit
Input Voltage Range	90–265	Vac
Line Frequency Range	47–63	Hz
Output Voltage	395	V
Output Power	300	W
Output Ripple	< 5	%
PF @ Full Load	> 0.95	
THD @ Full Load	< 10	%
Inductor Value	150	μH
Inductor Core Size/Geometry	PQ3220	
Bulk Capacitor Value	200	μF
Maximum Frequency	130	kHz

NOTE: NCP1680 EVB is a high voltage demonstration board. It can accept an input voltage of 90 Vac to 265 Vac and the output voltage of the board is 395 Vdc nominally. This EVB is for demonstration purposes only and should not be used to power any loads other than an electronic load. Only trained professionals in using high voltage equipment should handle the board and appropriate safety precautions should be followed.

TYPICAL APPLICATION SCHEMATIC

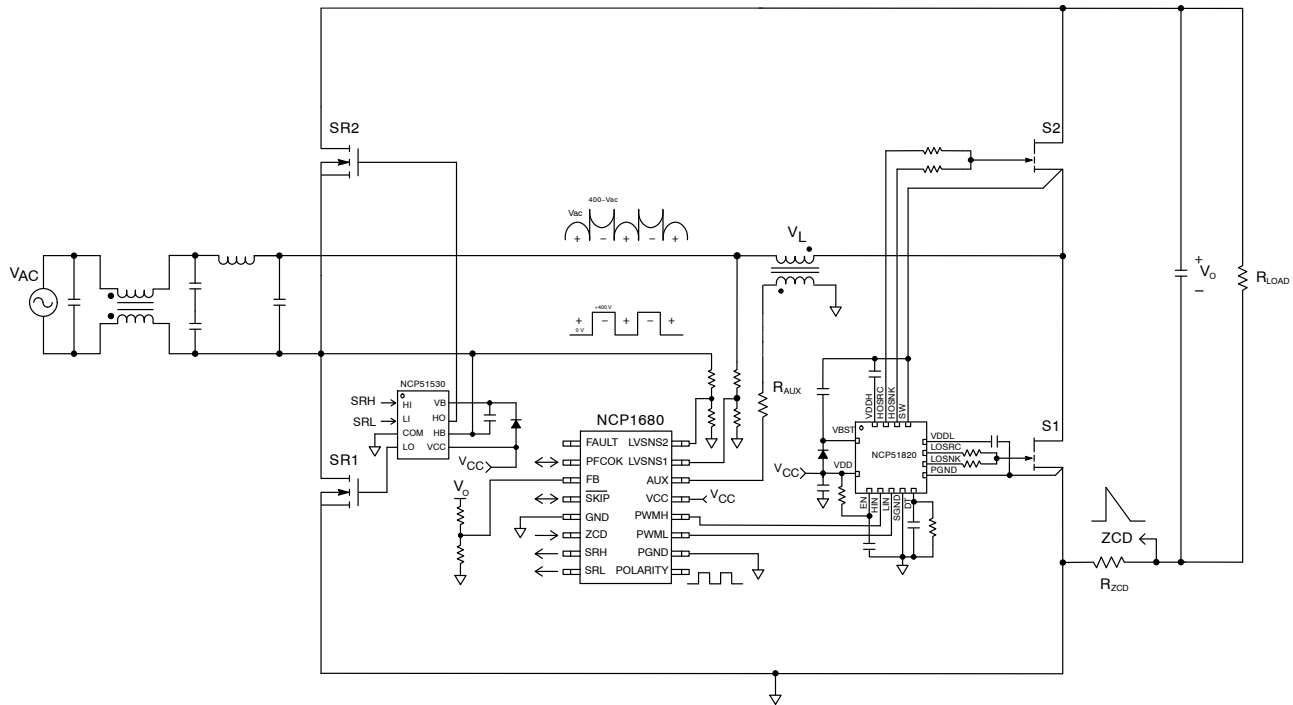


Figure 2. Typical Application Schematic of a CrM Totem Pole PFC Utilizing NCP1680

As shown in Figure 2, the slow leg switches (SR1 & SR2) are high voltage silicon-based FETs, also known as super junction (SJ) FETs, and the fast leg switches (S1 & S2) are Enhancement-mode Gallium Nitride (eGaN) devices. Since NCP1680 employs a CrM control architecture where the inductor current resets back to zero before the next switching cycle, low reverse recovery charge (Q<sub>rr</sub>) SJ FETs can also be utilized for the fast leg albeit with slightly inferior performance, but better cost structure. As a controller the NCP1680 is agnostic to the fast leg switch technology. Wide-Bandgap (WBG) devices such as Silicon Carbide (SiC) or eGaN are recommended for optimal performance. SiC is a good choice for lower frequency applications while eGaN is an excellent choice for both low frequency and high frequency applications.

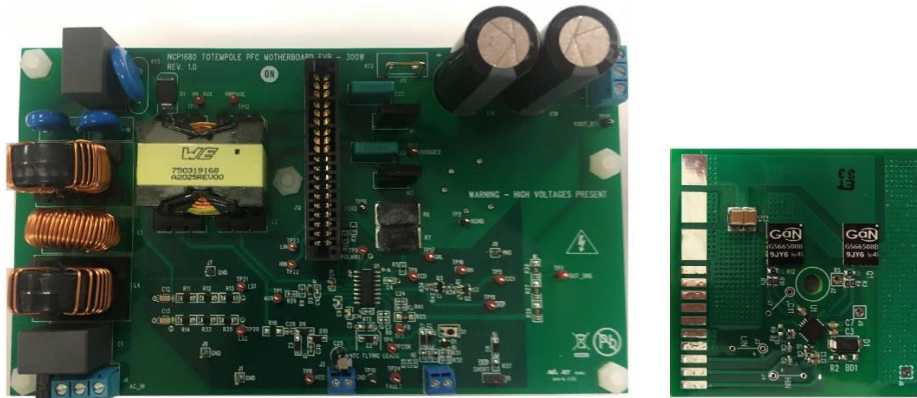
The NCP1680 evaluation board is designed such that engineers interested in this novel topology can easily probe

various signals and learn the intricacies of TPFC. The fast leg half bridge is implemented on a daughter card where the fast leg switches are driven using NCP51820, a high voltage eGaN half-bridge driver; the slow leg switches are driven using NCP51530, a high voltage Si FET half-bridge driver. The NCP1680 employs a novel current limit scheme where a simple resistor placed in the return path between bulk ground and the IC ground, is utilized for current limiting. The Zero Current Detection (ZCD) resistor is further utilized for drive control of the synchronous switch in the fast leg.

Additionally, the NCP1680 requires only a single auxiliary winding to sense switch node valleys (in positive half-line cycle) and switch node peaks (in negative half line cycle). This novel scheme results in the main boost switch being turned on with minimal voltage across the switch improving efficiency and reducing EMI.

# EVBUM2822/D

## BOARD DESCRIPTION AND TEST SETUP



**Figure 3. NCP1680 Evaluation Board along with a Daughter Card Featuring Fast Leg Switches**

The evaluation motherboard and daughter card are shown in Figure 3. The motherboard includes multiple I/O connectors and test points to simplify instrumentation and waveform capture during the evaluation process. A brief description and pinout of the I/O connectors is shown in Table 2, and a listing of the test points plus the respective circuit node is shown in Table 3.

There are some key points worth mentioning regarding the I/O connectors and test points:

- The pins labeled GND and VOUT\_RTN are NOT electrically common. GND and VOUT\_RTN are physically separated by the ZCD resistor and the user should take precaution to not short these two nodes together. For example, the ground lead of an Earth-connected oscilloscope probe should not be simultaneously connected to both GND and VOUT\_RTN.
- The EVB requires an external VCC bias supply. It is recommended to connect this bias supply at the J3 connector or across the TP8–TP10 test points. The recommended operating range for VCC is 12–18 V with a current sourcing capability greater than 10 mA. Once the EVB has been enabled, VCC can fall as low as 9 V before the NCP1680 UVLO circuit disables the controller. A VCC voltage greater than 20 V will trip the EVB over-voltage protection (OVP) and latch off the controller.
- J6 – AC Input connector is pinned out for a 3-wire AC input connection. However, the chassis GND connection is not required and can be left open. The user should determine the appropriate input connection based on their application requirements.
- J10 –  $\overline{\text{SKIP}}$  header should be open to allow normal operation of the EVB. Placing a jumper across the J10 header will force the EVB into Skip/Standby mode operation, described later.

- J11 – Inrush current limiter (ICL) bypass is populated by default. If the user wishes to operate the NCP1680 EVB with an ICL then J11 must be removed before populating the ICL at REF DES RT2.
- J12 – Daughter card interface is not keyed. User should take precaution that the daughter card is correctly oriented into J12. Furthermore, user must take precaution that the daughter card is never inserted or removed while VCC is applied to the motherboard, doing so can damage EVB.

**Table 2. I/O CONNECTOR DESCRIPTIONS**

REF DES	Function	Pinout
J1, J7, J8, J9	GND Peg	1. GND
J2	DC Output Voltage	1. VOUT_RTN 2. N/C 3. VOUT
J3	VCC	1. VCC 2. GND
J4	PFCOK Skip Interface	1. CNTRL Signal 2. GND
J6	AC Input Voltage	1. AC Line 2. Chassis GND 3. AC Neutral
J10	$\overline{\text{SKIP}}$ Control Header	1. CNTRL 2. GND
J11	Inrush Current Limit Bypass	1. VOUT_NTC 2. VOUT $^-$
J12	Daughter Card Interface	1–6: VOUT_NTC 7–12: VBRIDGE 13–18: PWRGND 19–28: N/C 29–32: GND 33–34: PWML/LIN 35–36: PWMH/HIN 37–38: VCC

**Table 3. TEST POINT DESCRIPTIONS**

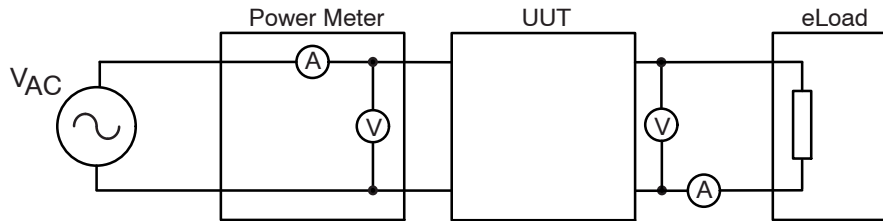
REF DES	Node	REF DES	Node
TP1	NCP1680 AUX Pin	TP13	Slow Leg Bridge Node
TP2	GND @ NCP51530 Driver	TP14	VOUT
TP3	NCP1680 FB Pin	TP15	VOUT_RTN
TP4	NCP1680 PFCOK Pin	TP16	NCP1680 SRH
TP5	NCP51530 VCC1	TP17	NCP1680 SRL
TP6	NCP1680 ZCD Pin	TP18	PWRGND
TP7	VOUT_SNS	TP19	NCP1680 SKIP Pin
TP8	NCP1680 VCC Pin	TP20	NCP1680 LVSNS2 Pin
TP9	NCP1680 Polarity Pin	TP21	NCP1680 LVSNS1 Pin
TP10	GND @ J3 Connector	TP22	NCP1680 PWMH/HIN
TP11	Haversine @ L2 Inductor	TP23	NCP1680 PWML/LIN
TP12	Fast Leg Bridge Node	TP24	NCP1680 Fault Pin

In order to replicate the data published in this design note, the following test set up is recommended:

- For higher power measurements (> 10% load), always arrange the connection so that the voltmeters at input and output are as close to NCP1680 evaluation board (UUT) as possible to avoid power loss due to resistance of the wiring or any other instrumentation.
- For input power measurement, please read power measurement directly from the power meter. Do not

multiply  $V_{AC}$  and  $I_{AC}$  measurements, this is the apparent power of UUT. The power measurement provides the real power consumed by the UUT.

- Do not use the electronic load reading for output voltage measurement. A separate DMM placed directly across output (TP14–TP15) will produce a more accurate reading than the eLoad and cancels some of the instrumentation power loss in ammeter.



**Figure 4. Test Setup for NCP1680 EVB**

PERFORMANCE CHARACTERISTICS – DATA AND WAVEFORMS

Efficiency

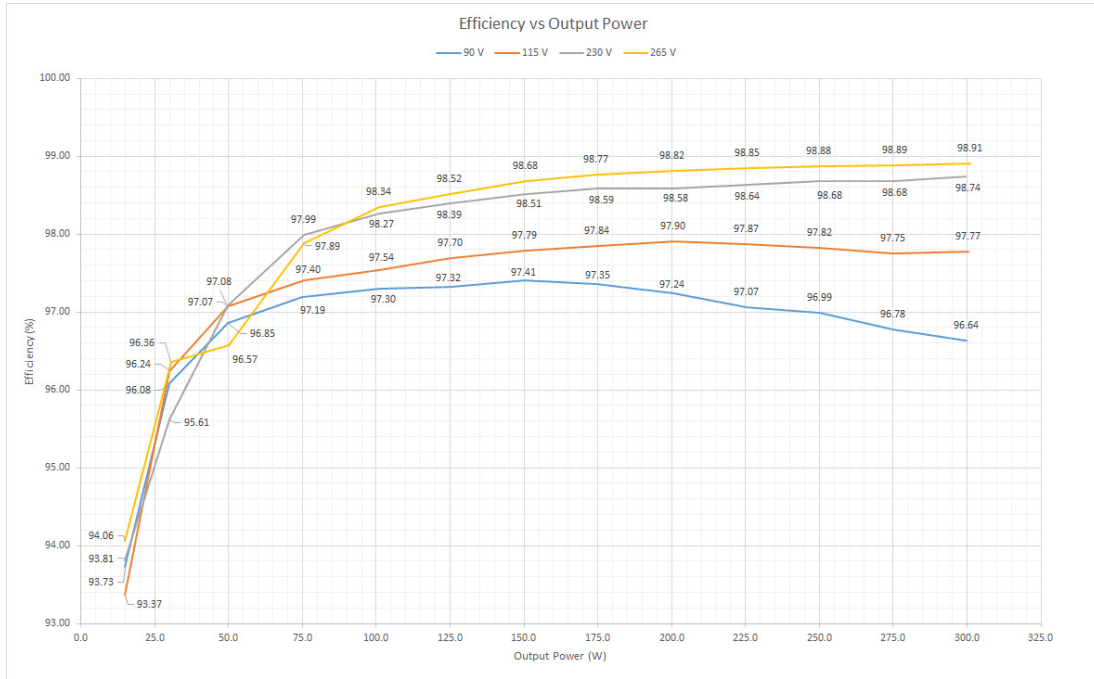


Figure 5. Efficiency vs. Output Power

Power Factor

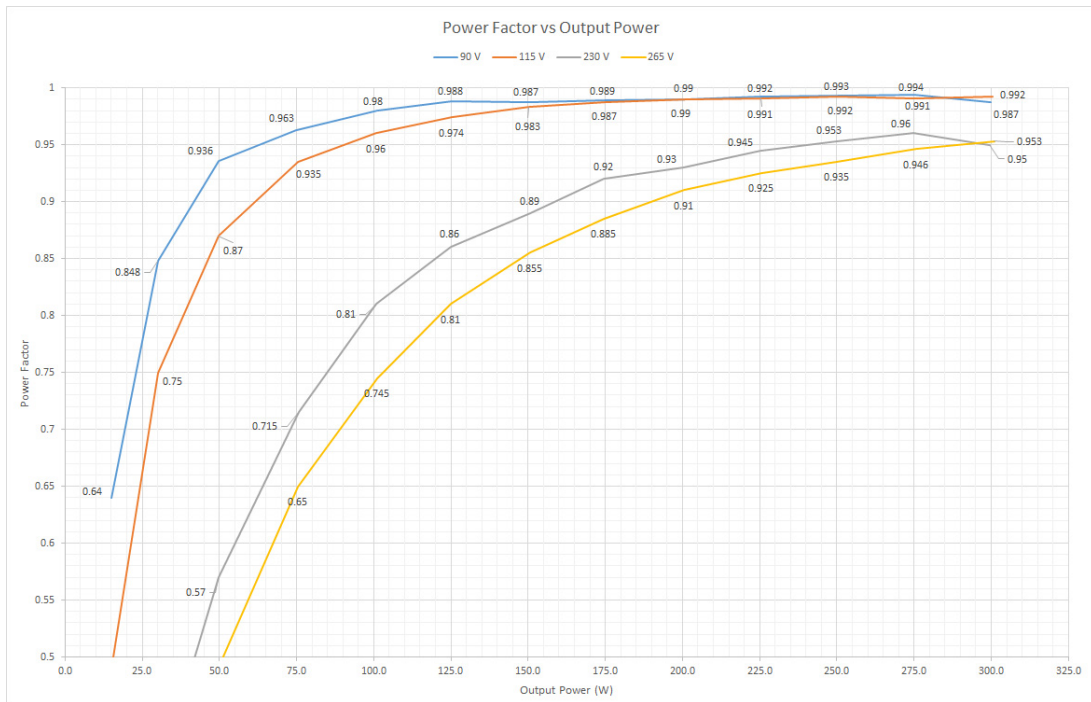


Figure 6. Power Factor vs. Output Power

Total Harmonic Distortion

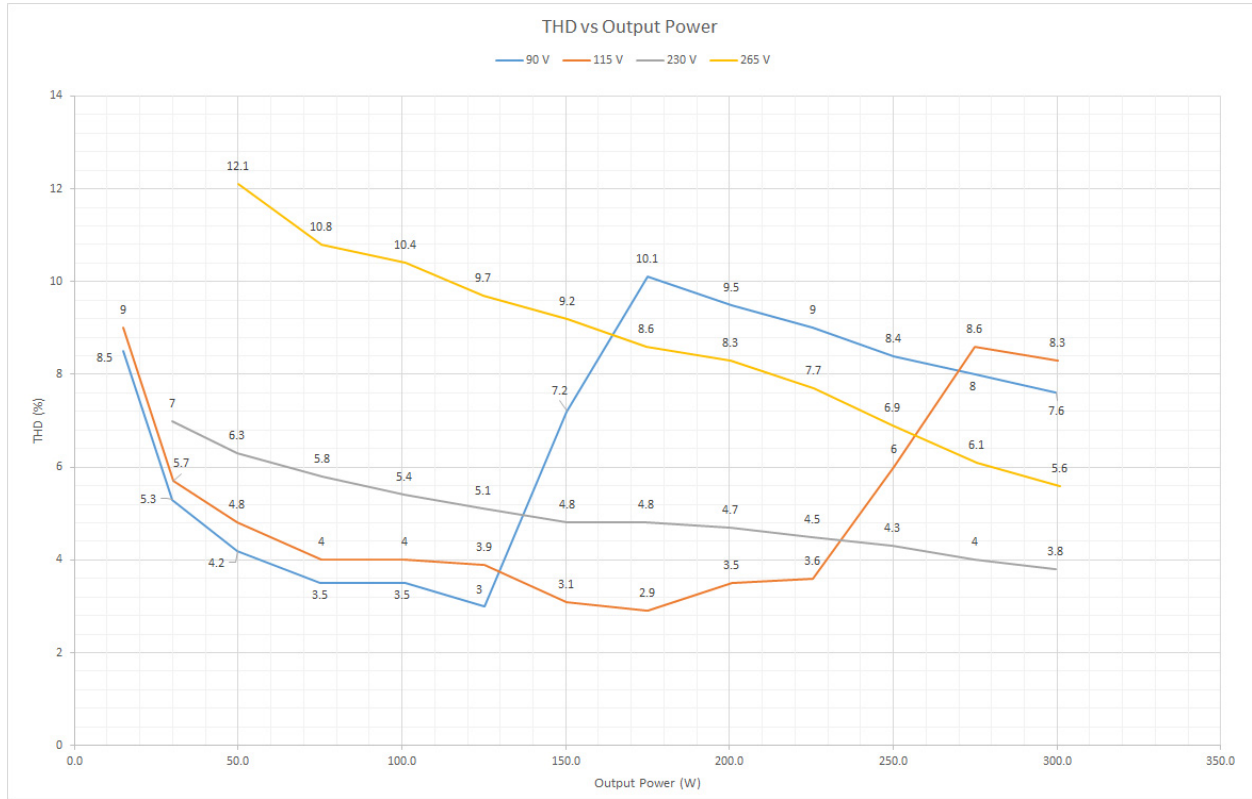


Figure 7. THD vs. Output Power

Switching Frequency at the Peak of AC Line vs. Output Power

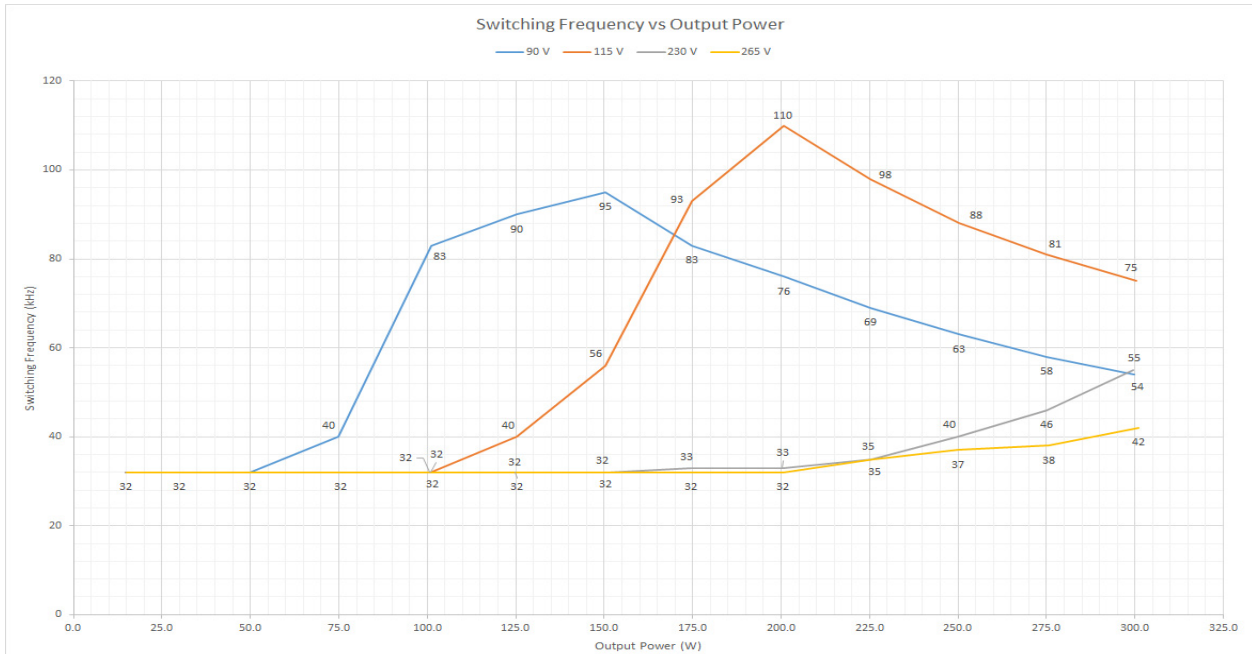
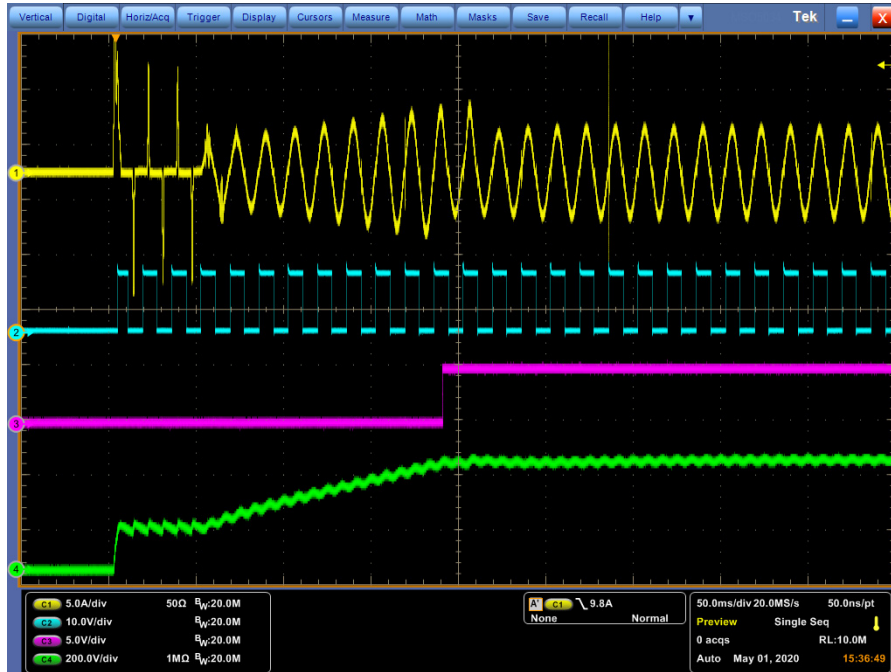


Figure 8. Switching Frequency vs. Output Power



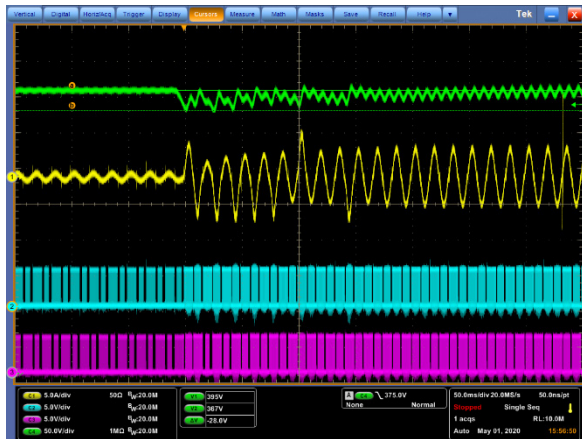
Soft-Start



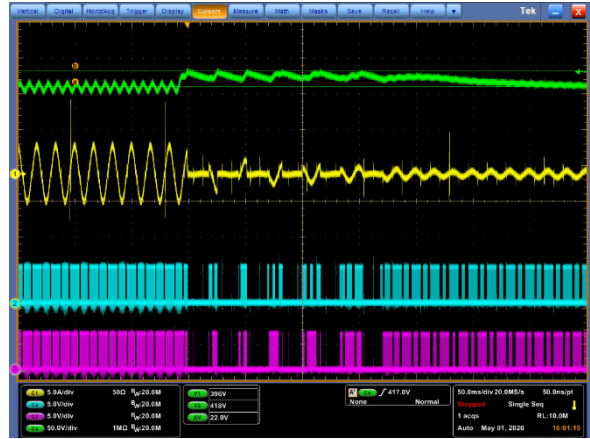
Ch. 1 (Yellow): Line Current  
 Ch. 2 (Blue): Polarity  
 Ch. 3 (Purple): PFCOK  
 Ch. 4 (Green): Bulk Voltage

Figure 9. Soft-Start

Load Transient



10% to 100% Load Step



100% to 10% Load Step

In the above waveforms, NCP1680’s dynamic response enhancer (DRE) limits the lower bulk voltage to 367 V while the output overvoltage protection (OVP) limits the upper bulk voltage to 418 V. Transient data was captured at 115 Vac.

Ch. 1 (Yellow): Line Current  
 Ch. 2 (Blue): PWML  
 Ch. 3 (Purple): PWMH  
 Ch. 4 (Green): Bulk Voltage

Figure 10. Load Transient

Input Current Waveforms and Output Ripple at Various Line Voltages

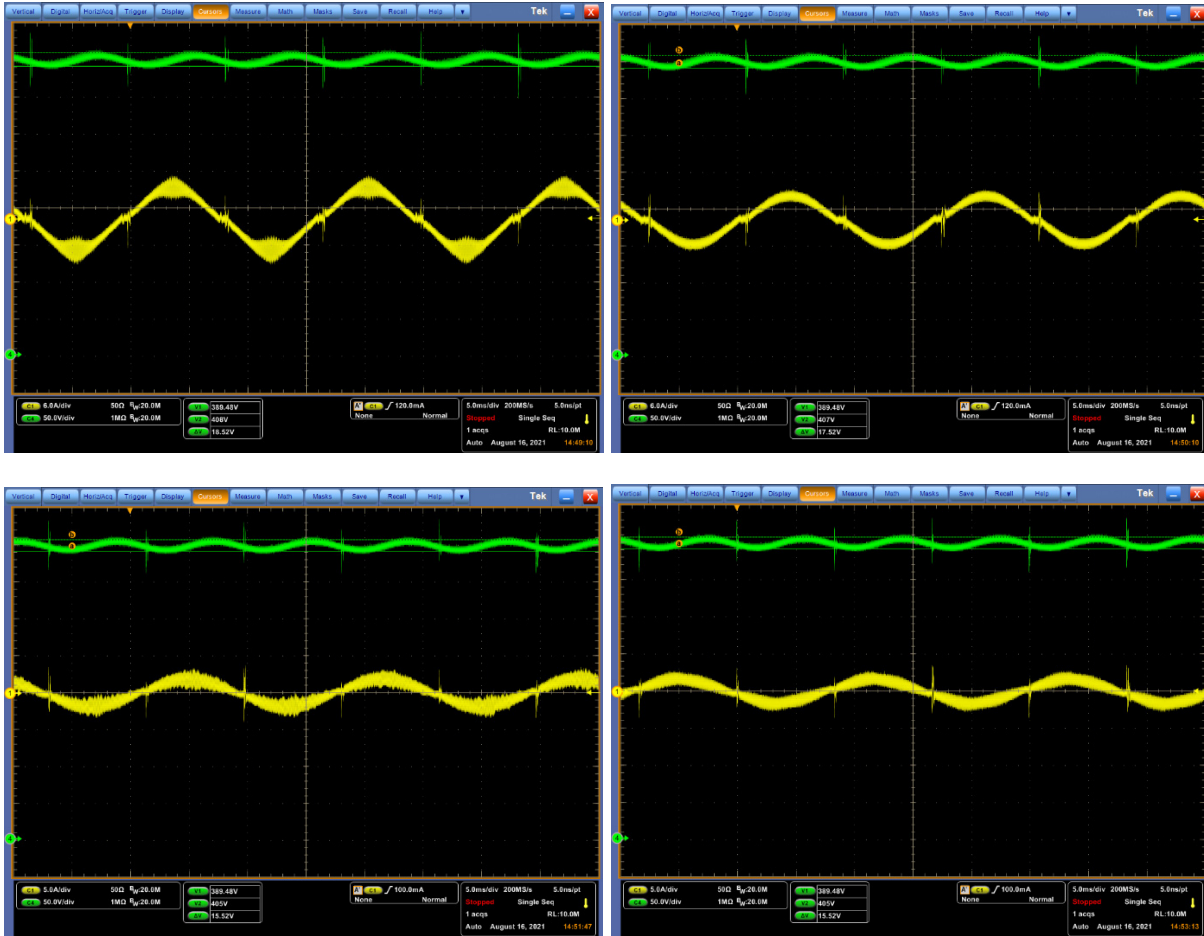


Figure 11. Input Current Waveforms and Output Ripple at Various Line Voltages

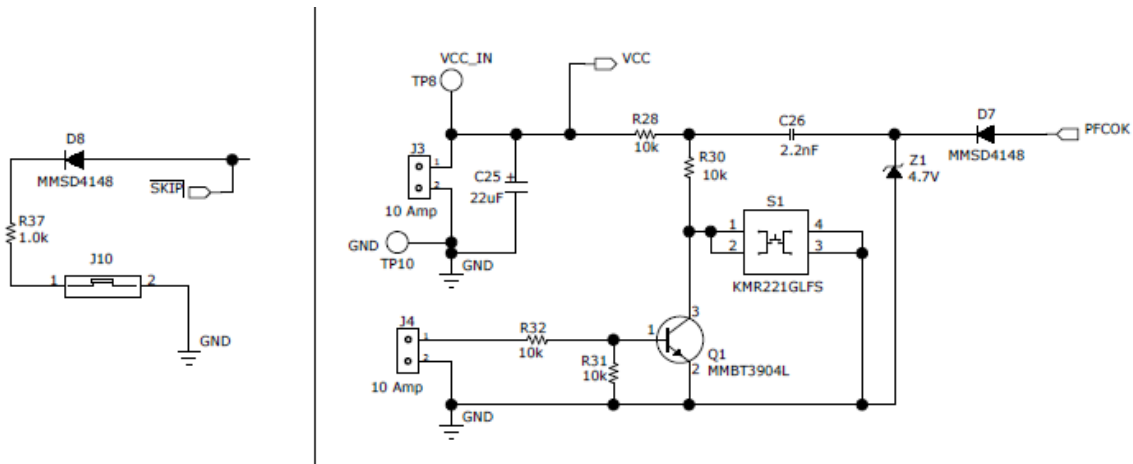
**Skip/Standby Mode Control**

The NCP1680 features a Skip/Standby mode which enables the application to achieve very good no-load and light-load performance. The device must be externally commanded to enter the Skip mode by pulsing the PFCOK pin or grounding the SKIP pin, and in a typical application this control signal would be provided by a downstream DC-DC converter. For the NCP1680 motherboard, additional circuitry shown in Figure 12 has been designed in to allow the user to easily transition the EVB into the Skip/Standby mode without the use of a downstream converter.

The J10 header which is a standard 2 position, 100 mil pitch connector header, provides a path to GND for the SKIP pin. The user can operate the EVB in Skip mode by placing a mating jumper (such as TE Connectivity 382811-6) across the header, grounding the SKIP pin. J10 is conveniently located on the PCB away from any high voltage nodes so that the jumper can be placed while the EVB is in live operation. Nonetheless, the user should exercise caution when placing this jumper to prevent injury to themselves or damage to the EVB.



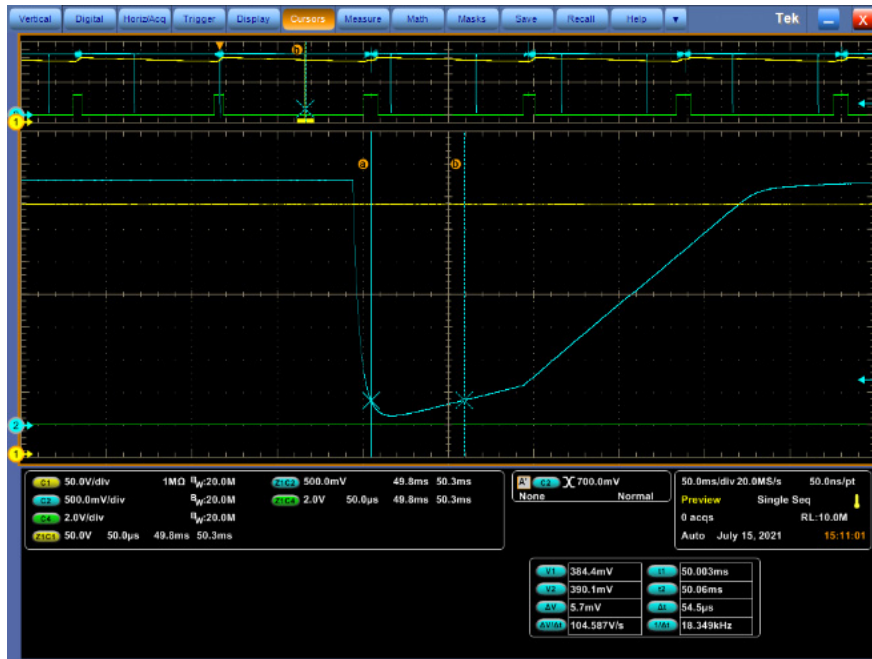
## EVBUM2822/D



**Figure 12. NCP1680 EVB Skip Interfaces**

The second skip interface on the EVB is at the J4 connector which can be used to connect in a function generator to pulse the PFCOK pin. For the NCP1680 to enter skip mode the PFCOK pin must be pulsed below 400 mV for a duration greater than 50  $\mu$ s as is shown in Figure 13. It is

recommended that the function generator output be a signal with 0–5 V amplitude where the output remains at 5 V for at least 100  $\mu$ s to meet the threshold requirements on the PFCOK pin.



**Figure 13. PFCOK Skip-Entry Signal (Ch1 = Bulk Voltage, Ch2 = PFCOK, Ch4 =  $\overline{\text{SKIP}}$ )**

Once skip mode has been entered the NCP1680 controller will regulate the bulk voltage with a form of hysteretic control, meaning that the bulk voltage will cycle between its nominal regulation voltage and  $\sim$ 94% of nominal regulation. The frequency at which the bulk voltage cycles will be dependent on the output load. To maintain the EVB in skip/standby mode it is necessary to continue pulsing the PFCOK pin wherein every PFCOK pulse must meet the previously stated voltage and timing threshold

requirements. The pulse frequency to maintain skip mode must be faster than the frequency at which the bulk voltage cycles between nominal regulation and 94% of nominal regulation. Hence it is technically possible to operate the EVB in skip mode at any load level and often in applications, skip operation may be necessary up to 5–10% of the rated load. Figure 14 shows skip mode operation with the EVB loaded at 20 W. A lighter load, or no load will result in much longer cycle frequency and better performance.

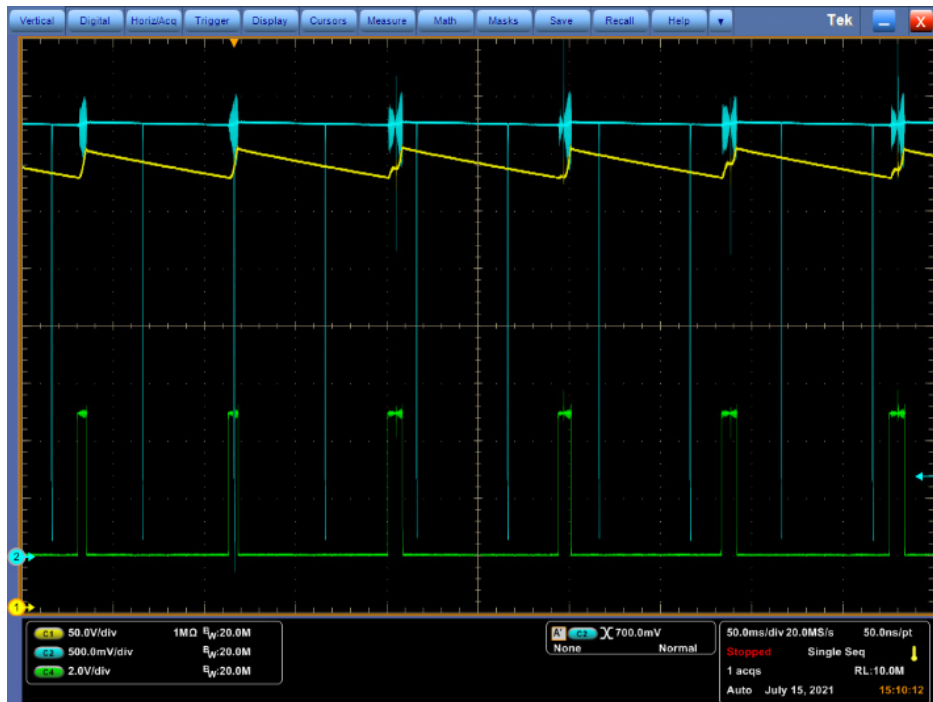


Figure 14. NCP1680 Skip Mode Operation (Ch1 = Bulk Voltage, Ch2 = PFCOK, Ch4 = SKIP)

### Control Loop Measurement

The NCP1680 controller is embedded with an internal compensator circuit which provides the necessary loop bandwidth to ensure good power factor performance, and also provides sufficient phase & gain margin at the loop crossover frequency to ensure stable and robust operation of the application. Verification of the control loop characteristics is a good practice for any power supply

design. The NCP1680 motherboard provides a 1 k $\Omega$  injection resistor and test points (TP14, TP7) around the injection resistor enabling the use of a network analyzer with an isolated injection transformer to measure the loop response of the EVB. Figure 15 shows the loop response of the NCP1680 EVB with 300 W load, measured at 115 V<sub>AC</sub> and 230 V<sub>AC</sub>. The loop bandwidth measures from ~ 8–11 Hz with about 70° of phase margin and > 14 dB of gain margin.

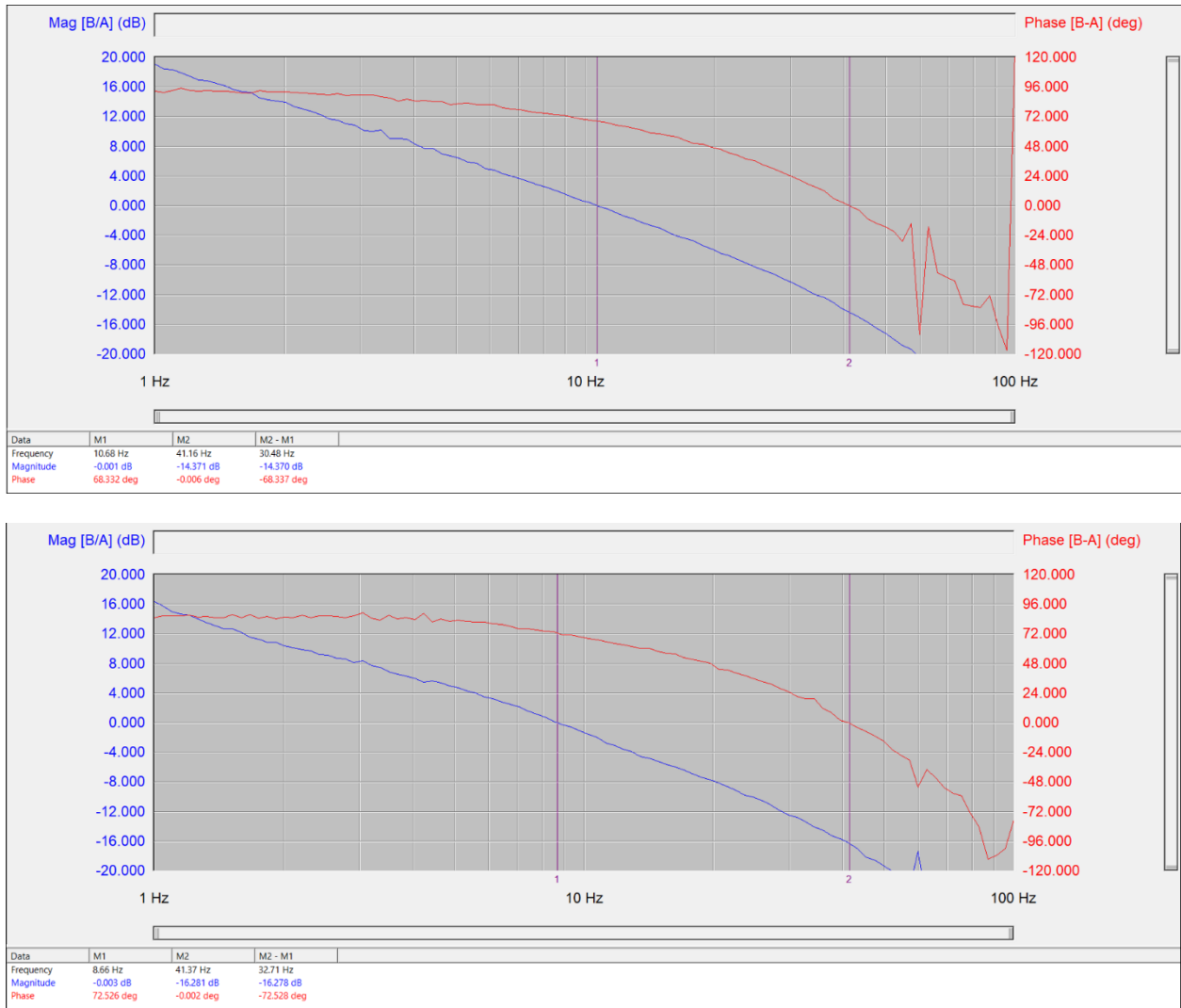


Figure 15. EVB Bode Plots @ 300 W; 115 V on Top; 230 V on Bottom

**Thermal Performance**

The NCP1680 EVB and daughter card were also evaluated for thermal performance while operating at 90 V<sub>AC</sub> and 300 W. Thermal images of the fast leg GaN HEMTs, the boost inductor, and the slow leg silicon FETs are shown in Figure 16. These images were captured in a 25°C ambient environment with no external air flow. The high efficiency performance of the TPFC is evident in the

device temperatures where the fast and slow leg switches measure below 60°C, a modest 35°C rise above room temperature. The daughter card PCB is also designed in a manner that eliminates the need for an additional heatsink to be mounted to the board. The PCB’s internal copper planes function as heat sinking and the temperature rise of the fast leg switches is well controlled by these copper planes.

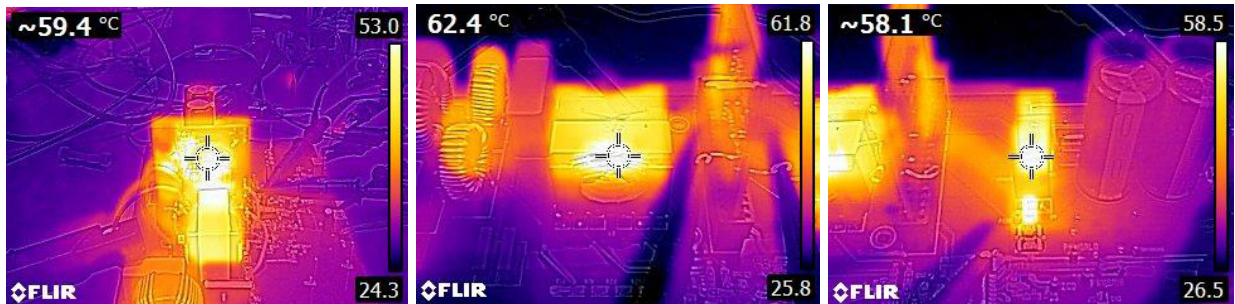


Figure 16. Thermal Measurement of Fast Leg eGaN Switches, Boost Inductor, and Slow leg Si FETs

# EVBUM2822/D

## MOTHERBOARD PCB ARTWORK

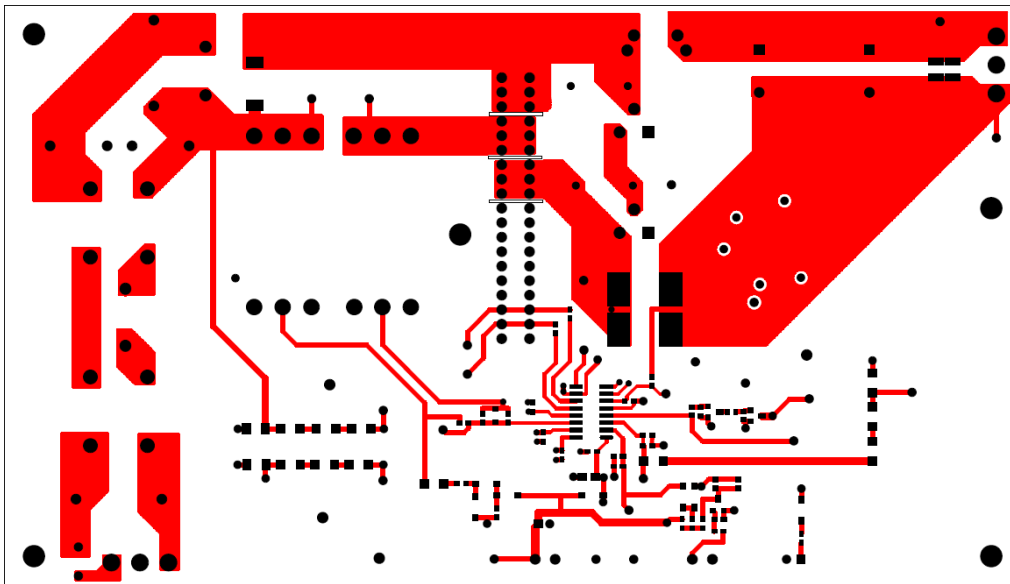
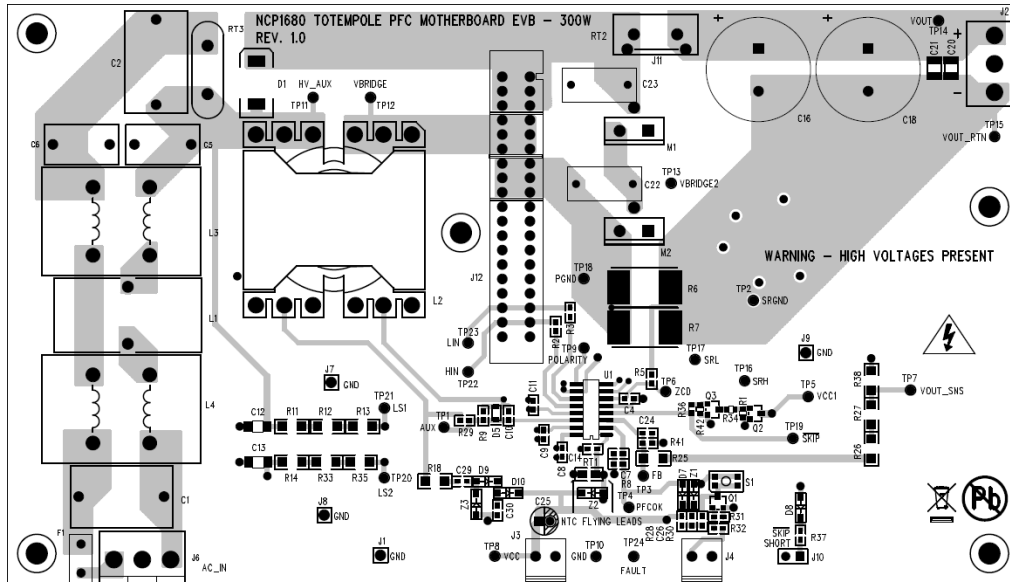


Figure 17. Motherboard PCB (Part 1/3)

MOTHERBOARD PCB ARTWORK (Continued)

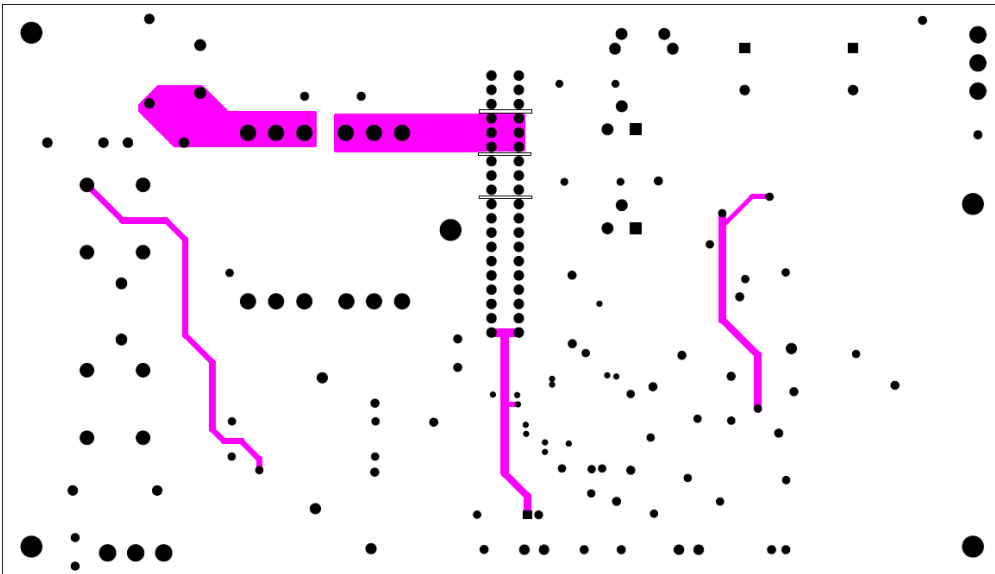
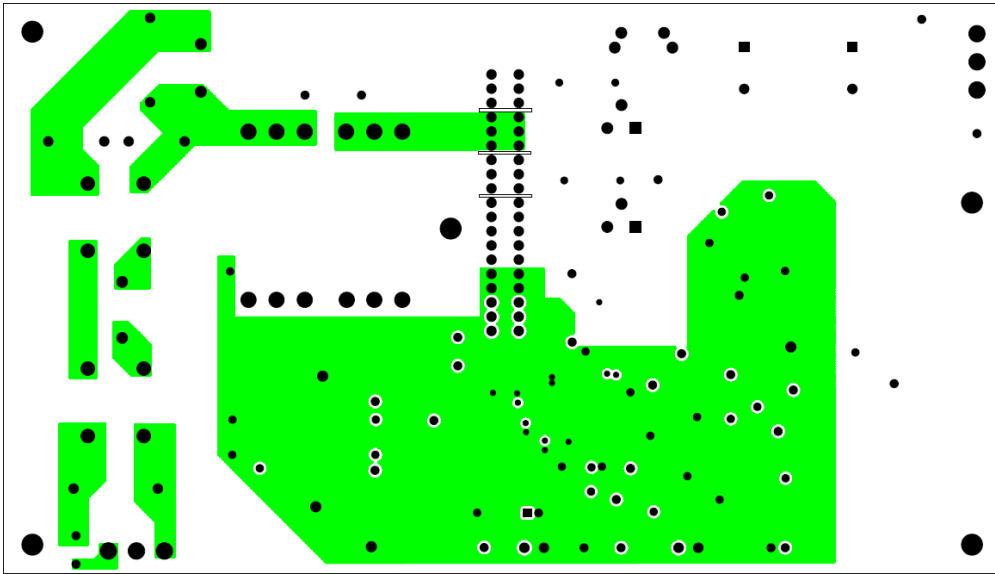


Figure 18. Motherboard PCB (Part 2/3)

MOTHERBOARD PCB ARTWORK (Continued)

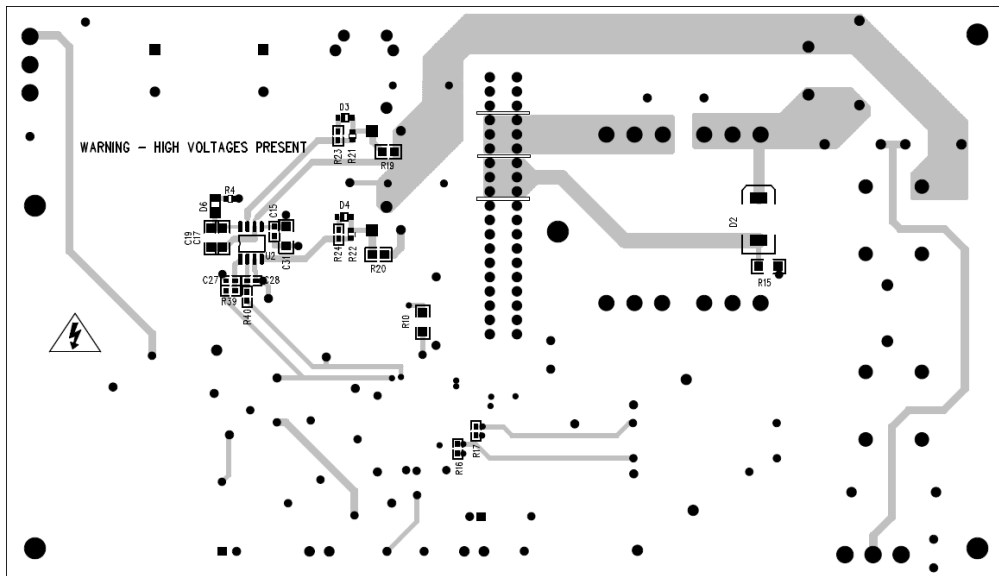
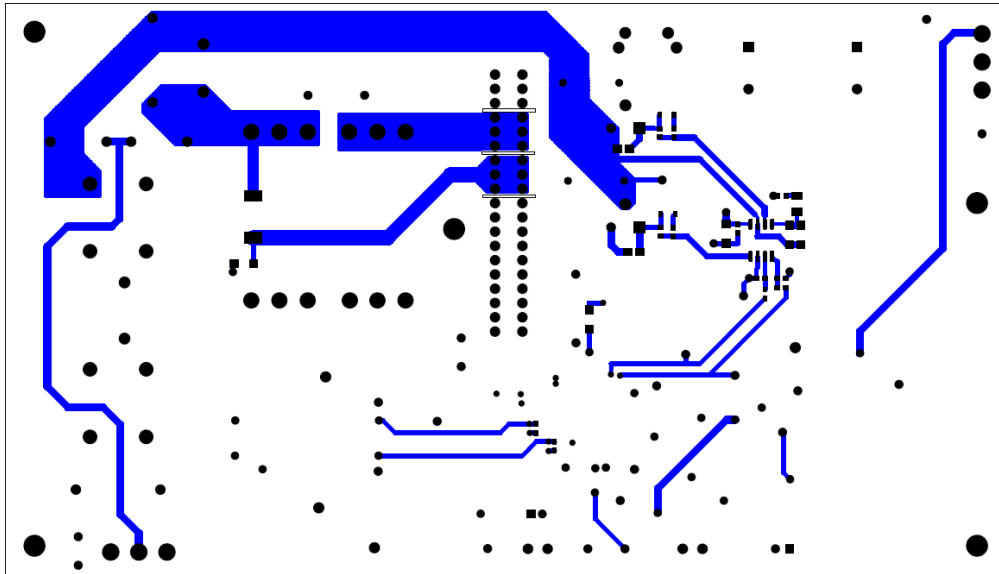


Figure 19. Motherboard PCB (Part 3/3)



DAUGHTERBOARD PCB ARTWORK

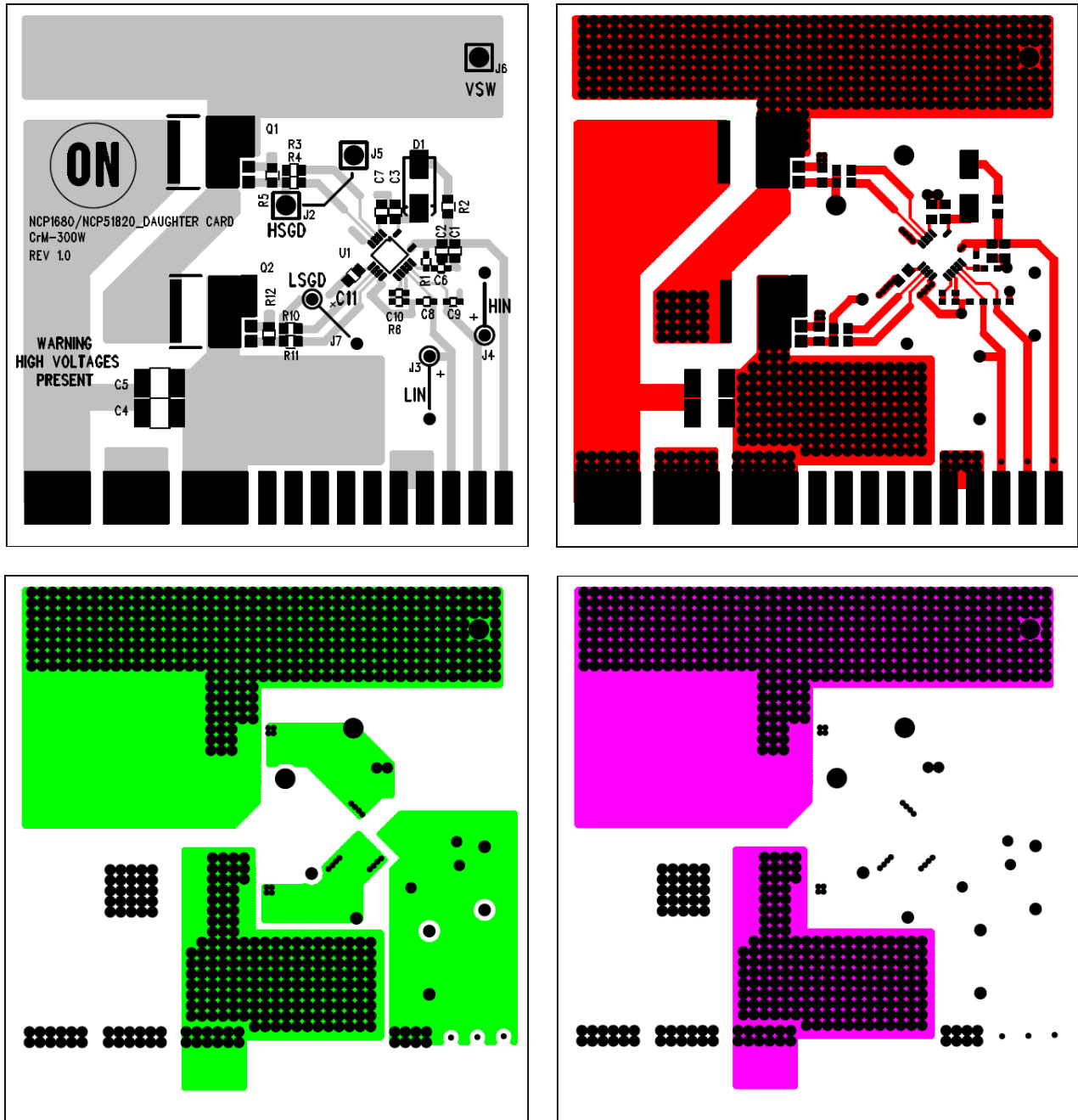


Figure 20. Daughterboard PCB (Part 1/2)

DAUGHTERBOARD PCB ARTWORK (Continued)

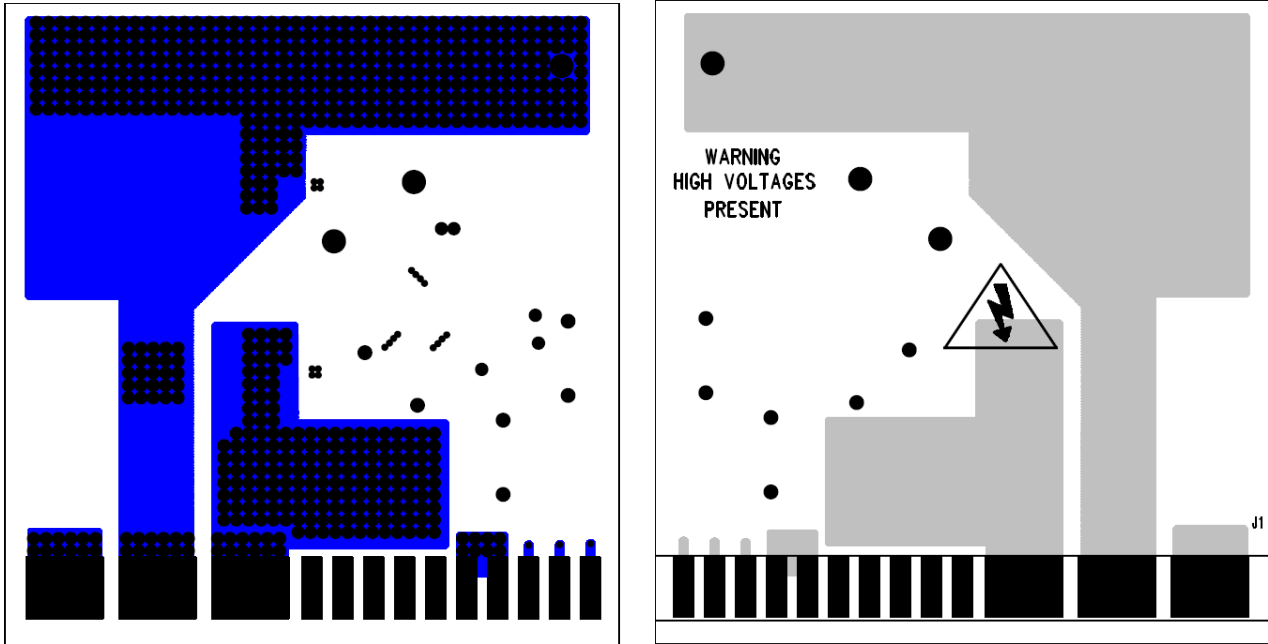


Figure 21. Daughterboard PCB (Part 2/2)

# EVBUM2822/D

## TRANSFORMER DATA SHEET

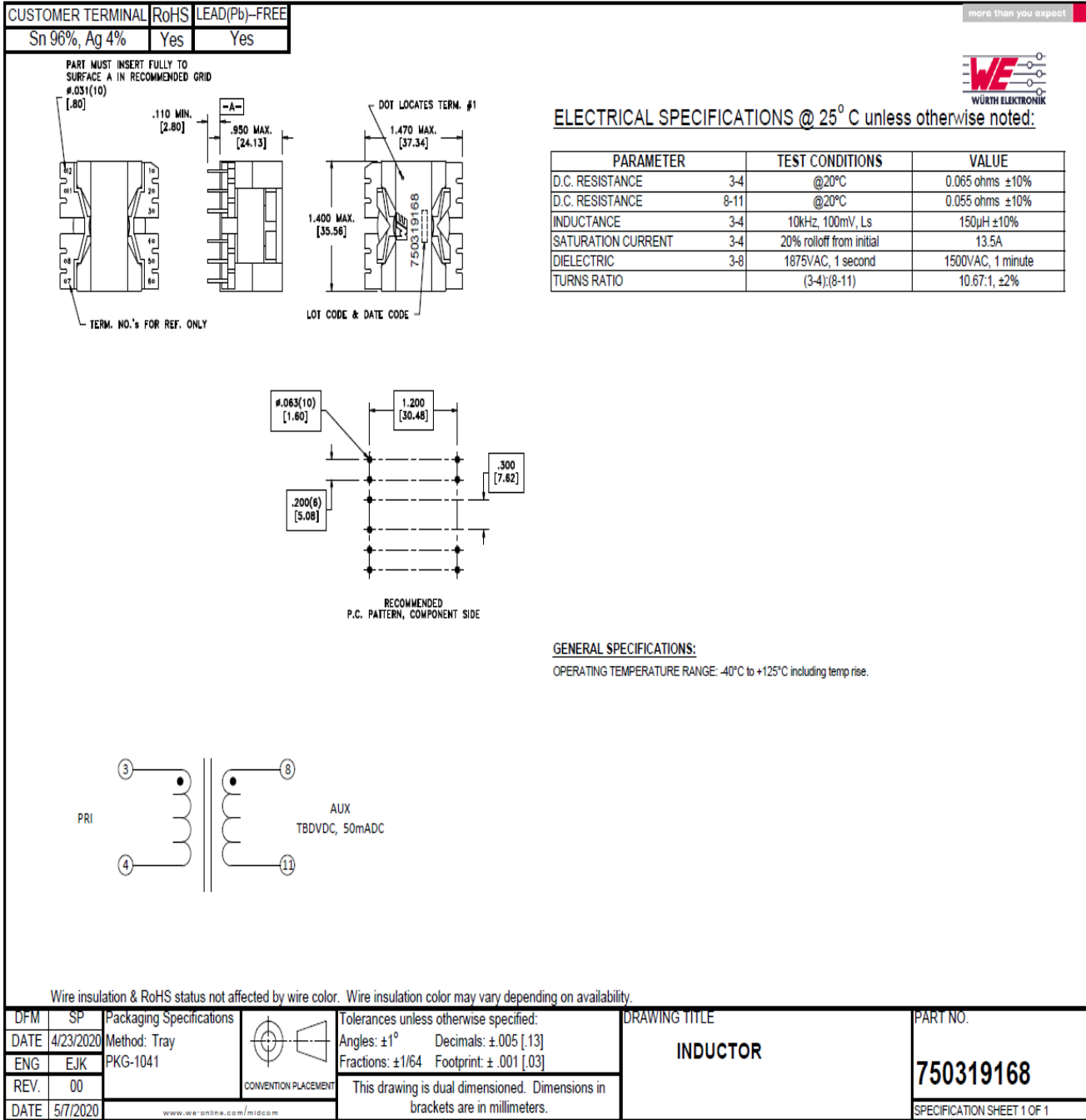


Figure 22. Transformer Data Sheet

# EVBUM2822/D

## SCHEMATIC

### Motherboard Control Section

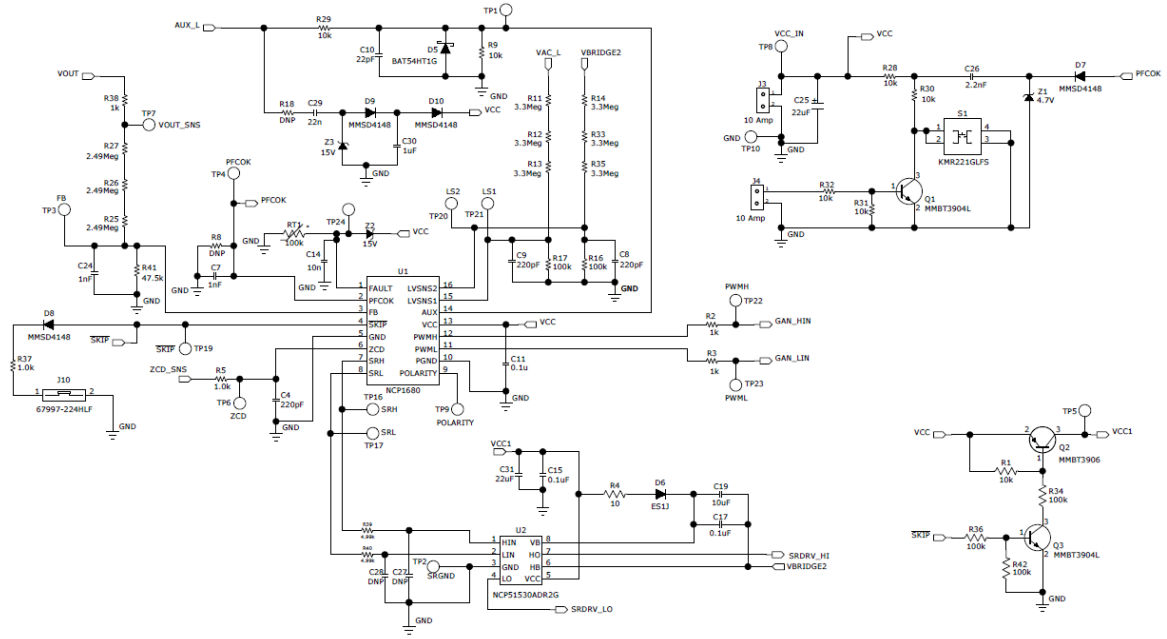


Figure 23. Motherboard Control Section

### Motherboard Power Train

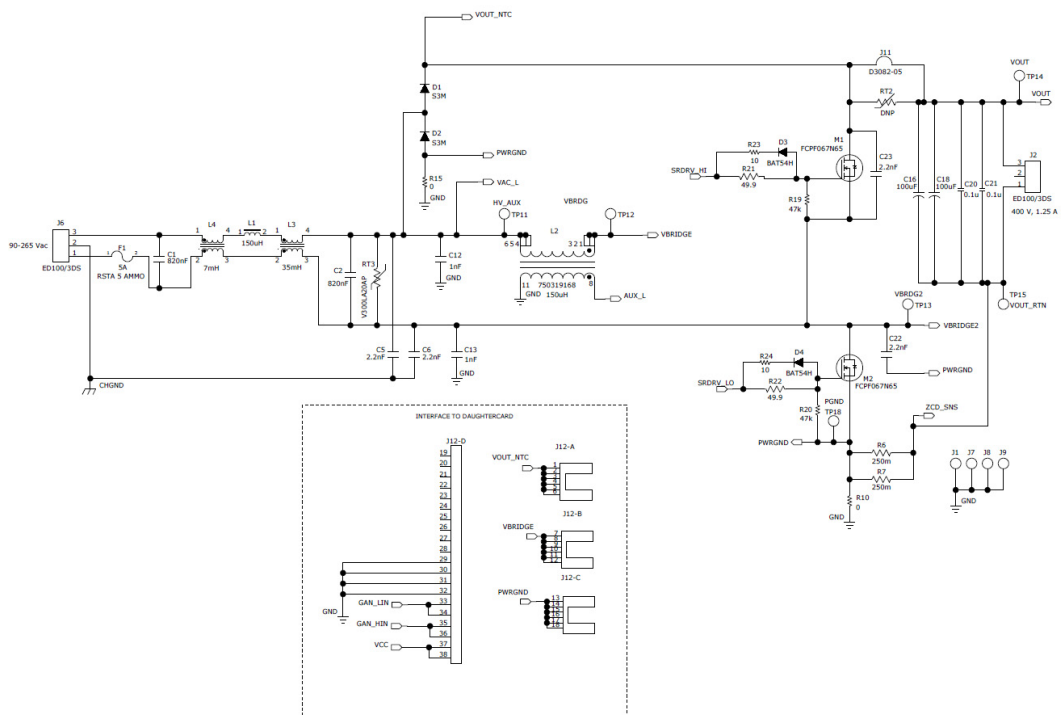


Figure 24. Motherboard Power Train

# EVBUM2822/D

## Daughter Card

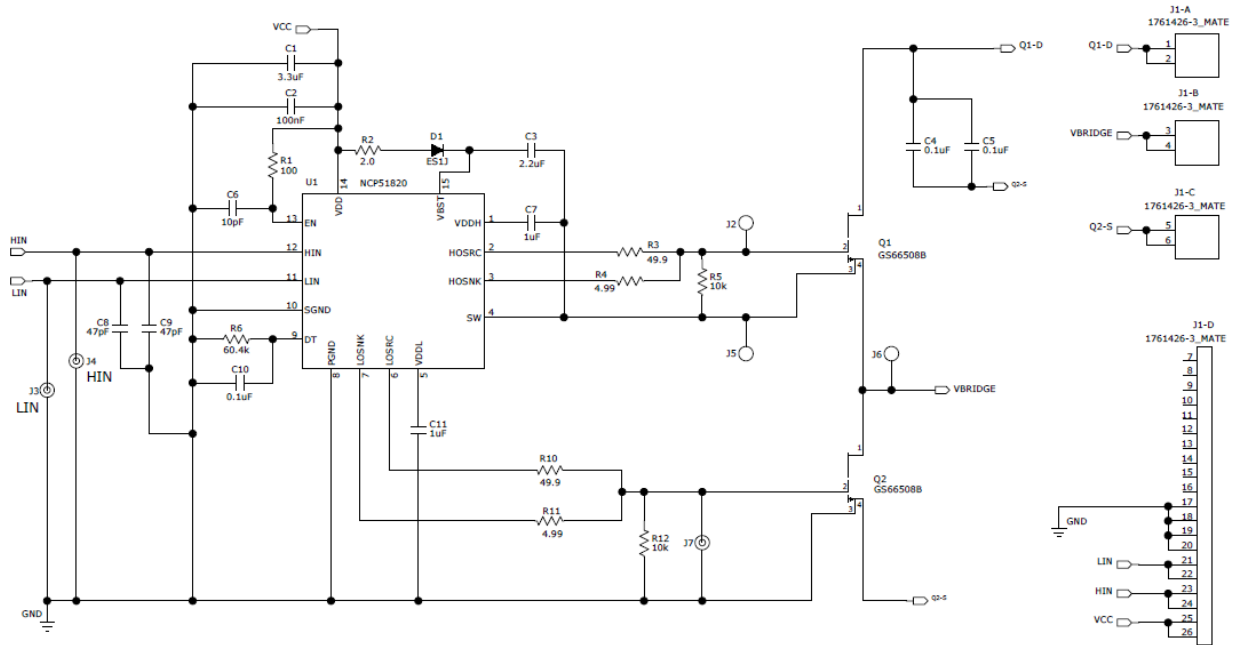


Figure 25. Daughter Card

# EVBUM2822/D

## BILL OF MATERIALS

**Table 4. BILL OF MATERIALS – MOTHERBOARD**

Item	Qty	REF DES	Value	Description	Manufacturer	MPN	PCB Footprint	Substitution Allowed
1	1	C7	1 nF	CAP CER 1000 pF 50 V COG/NP0 0603	Kemet	C0603X102J5GAC7867	603	Yes
2	1	C10	22 pF	CAP CER, NPO 22 pF 50 V	Wurth	885012006053	603	Yes
3	1	C11	0.1 μF	CAP CER 0.1 μF 50 V 10% X7R 0603	Murata	GCM188R71H104KA57D	603	Yes
4	1	C14	10 n	CAP CER 10 nF 50 V X7R 0603	Yageo	CC0603KRX7R9BB103	603	Yes
5	1	C15	0.1 μF	CAP CER 0.1 μF 50 V 10% X7R 0603	Murata	GCM188R71H104KA57D	603	Yes
6	1	C17	0.1 μF	CAP CER 0.1 μF 50 V 10% X7R 1206	Kemet	C1206C104K5RACAUTO	1206	Yes
7	1	C19	10 μF	CAP CER 10 μF 25 V 10% X7R 1206	Samsung	CL31B106KAHNNNE	1206	Yes
8	1	C25	22 μF	CAP ALUM 22 μF 20% 50 V RADIAL	Nichicon	UVK1H220MDD1TD	Radial	Yes
9	1	C29	22 nF	CAP CER 22 nF 50 V X7R 0603	Kemet	C0603C223K5RACTU	603	Yes
10	1	C30	1 μF	CAP CER 1 μF 25 V 10% X7R 0603	Samsung	CL10B105KA8NNNC	603	Yes
11	1	C31	22 μF	CAP CER 22 μF 25 V 10% X5R 1206	Samsung	CL31A226KAHNNNE	1206	Yes
12	2	C1-2	820 nF	Cap, X Type, 275 V, AC, Polypropylene	Kemet	R46KI382040P0	MBox, Radial	No
13	2	C12-13	1 nF	CAP CER 1 nF 630 V X7R 1206	Yageo	CC1206KKX7RZBB102	1206	Yes
14	2	C16, C18	100 μF	CAP ALUM 100 μF 20% 450 V Rad. 18 x 40 mm	United Chemi-Con	EKXG451ELL101MM40S	Round, Radial	Yes
15	2	C20-21	0.1 μF	CAP CER 0.1 μF 630 V 10% X7R 1210	Kemet	C1210C104KBRAC7800	1210	Yes
16	2	C22-23	2.2 nF	CAP FILM 2200 pF 20% 1.25 kVDC RAD	Kemet	PHE850EA4220MA01R17	Radial, 13 x 4 mm	No
17	1	C24	1 nF	CAP CER 1000 pF 50 V COG/NP0 0603	Kemet	C0603X102J5GAC7867	603	Yes
18	1	C26	2.2 nF	CAP CER 2200 pF 50 V X7R 0603	Kemet	C0603C222M5RACTU	603	Yes
19	2	C27-28	DNP	CAP CER DNP Placeholder 0603	NA	NA	603	No
20	3	C4, C8-9	220 pF	CAP CER 220 pF COG/NPO 0603	Kemet	C0603C221J5GACTU	603	Yes
21	2	C5-6	2.2 nF	Cap, Disc, Y Type, 760 VAC	Kemet	C961U222MWWDBA7317	Box, Axial	No
22	1	D6	ES1J	Diode Ultrafast 600 V SOD-123-FL	onsemi	ES1JFL	SOD-123_FL	No
23	2	D1-2	S3M	Diode GEN PURP 1 kV 3 A	onsemi	S3M	SMC	No
24	3	D3-5	BAT54H	Diode Schottky 30 V 200 mA (DC) Surface Mount SOD-323	onsemi	BAT54HT1G	SOD-323_rev3	Yes
25	4	D7-10	MMSD4148	DIODE GEN PURP 100 V 200 mA SOD123	onsemi	MMSD4148T1G	SOD-123	Yes
26	1	F1	5 A	Fuse, 8.4 x 4 mm, 5.08 mm spacing	Bel Fuse	RSTA 5 AMMO	Thru-Hole	Yes
27	1	J10		Connector, Header, 100Mil spacing	Amphenol	67997-224HLF	Thru-Hole	Yes
28	1	J11		Jumper, 1 mm dia. 10.16 mm, Gold	Harwin	D3082-05	Thru-Hole	Yes



# EVBUM2822/D

**Table 4. BILL OF MATERIALS – MOTHERBOARD** (continued)

Item	Qty	REF DES	Value	Description	Manufacturer	MPN	PCB Footprint	Substitution Allowed
29	1	J12		Conn, Edge, Dual, Female, 26 Position	TE Connectivity	1761426-3	Thru-Hole, 26 pos	Yes
30	4	J1, J7-9		Testpin, Gold, 40mil	Mill-Max	3103-2-00-21-00-00-08-0	SIP-1	Yes
31	2	J2, J6		Header, Vert. 3 pin, 5 mm Spacing	OST	ED100/3DS	Thru-Hole	Yes
32	2	J3-4	10 Amp	2 Position Wire to Board Terminal Block Horizontal with Board 0.138" (3.5 mm) LS	Phoenix Contact	1984617	TBD	Yes
33	1	L1	150 $\mu$ H	Inductor, Differential, 150 $\mu$ H, 5.4 A, 42m $\Omega$	Würth	7447055	Thru-Hole	No
34	1	L2	150 $\mu$ H	PFC Inductor, AUX, 150 $\mu$ H, 3 A, Np:Naux = 10:1	Würth	750319168	PQ3230	No
35	1	L3	35 mH	Common Mode Choke, 2x 35 mH, 2x 80 m $\Omega$ , 3.5 A	Würth	7448040435	Thru-Hole	No
36	1	L4	7 mH	Common Mode Choke, 2x 7 mH, 2x 20 m $\Omega$ , 7 A	Würth	7448040707	Thru-Hole	No
37	2	M1-2		MOSFET N CH 650 V 44A TO-220F	onsemi	FCPF067N65S3	TO-220	No
38	5	MT1-5		HEX STANDOFF #6-32 NYLON 3/4"	Keystone	1903D	NA	Yes
39	5	MT1-5 Screw		MACHINE SCREW PAN PHILLIPS 6-32, NYLON	B&F Fastener Supply	NY PMS 632 0025 PH		Yes
40	1	Q2		Transistor, PNP, 40 V, 200 mA	onsemi	MMBT3906	SOT-23	Yes
41	2	Q1, Q3		Transistor, NPN, 40 V, 200 mA	onsemi	MMBT3904LT1G	SOT-23	Yes
42	1	R1	10 k $\Omega$	RES 10 k $\Omega$ 1% 1/8 W 0603	Stackpole	RNCP0603FTD10K0	603	Yes
43	1	R4	10 $\Omega$	RES, SMD, 1/10 W	Yageo	RC0603FR-0710RL	603	Yes
44	1	R8	DNP	RES SMD 0603 PLACEDHOLDER	NA	NA	603	Yes
45	1	R18	DNP	NA	NA	NA	1206	Yes
46	1	R38	1 k $\Omega$	RES SMD 1 k $\Omega$ 5% 1/2 W 1206	Vishay Dale	CRCW12061K00JNEAHP	1206	Yes
47	1	R41	47.5 k $\Omega$	RES SMD 47.5 k $\Omega$ 1% 1/10 W 0603	Stackpole	RMCF0603FT47K5	603	Yes
48	2	R10, R15	0 $\Omega$	RES SMD JUMPER 5% 1/4 W 1206	Panasonic	ERJ-8GEY0R00V	1206	Yes
49	6	R11-14, R33, R35	3.3 M $\Omega$	RES SMD 3.3 M $\Omega$ 1% 1/4 W 1206	Vishay Dale	CRCW12063M30FKEA	1206	Yes
50	2	R16-17	100 k $\Omega$	RES SMD 100 k $\Omega$ 1% 1/10 W 0603	Stackpole	RMCF0603FT100K	603	Yes
51	2	R19-20	47 k $\Omega$	RES SMD 47 k $\Omega$ 5% 1/8 W 0805	Vishay Dale	CRCW080547K0JNEA	805	Yes
52	2	R2-3	1.0 k $\Omega$	RES SMD 1.0 k $\Omega$ 1% 1/10 W 0603	Yageo	RC0603FR-071KL	603	Yes
53	2	R21-22	49.9 $\Omega$	RES, SMD, 1/10 W	Yageo	AC0603FR-0749R9L	603	Yes
54	2	R23-24	10 $\Omega$	RES, SMD, 1/10 W	Vishay Dale	RC0603FR-0710RL	603	Yes
55	3	R25-27	2.49 M $\Omega$	RES SMD 2.49 M $\Omega$ 1% 1/4 W 1206	Stackpole	RMCF1206FT2M49	1206	Yes
56	3	R34, R36, R42	100 k $\Omega$	RES SMD 100 k $\Omega$ 1% 1/10 W 0603	Stackpole	RMCF0603FT100K	603	Yes
57	2	R39-40	4.99 k $\Omega$	RES SMD 4.99 k $\Omega$ 1% 1/10 W 0603	Yageo	RC0603FR-074K99L	603	Yes

# EVBUM2822/D

**Table 4. BILL OF MATERIALS – MOTHERBOARD** (continued)

Item	Qty	REF DES	Value	Description	Manufacturer	MPN	PCB Footprint	Substitution Allowed
58	2	R5, R37	1.0 kΩ	RES SMD 1.0 kΩ 1% 1/10 W 0603	Yageo	RC0603FR-071KL	603	Yes
59	2	R6-7	250 mΩ	RES, SMD, 2 W	Vishay	WSR2R2500FEA	WSR2_4527	No
60	6	R9, R28-32	10 kΩ	RES 10 kΩ 1% 1/8 W 0603	Stackpole	RNCP0603FTD10K0	603	Yes
61	1	RT1	100 kΩ	NTC 100 kΩ 4250K 5% 0805	Murata	NCP21WF104J03RA	805	No
62	1	RT2	DNP	Thermistor, NTC, 10 Ω, 3.7A	TDK	B57237S0100M000	Thru-Hole	No
63	1	RT3		Vairistor, Disc, 470 V, 4.5 kA	Littlefuse	V300LA20AP	Thru-Hole	No
64	1	S1		Switch, Mom, 32 V, 50 mA, SMD	C&K	KMR221GLFS	SMD	Yes
65	20	TP1, TP3-9, TP11-14, TP16-17, TP19-24		TEST POINT PC MINI RED	Keystone	5000	Thru-Hole	Yes
66	4	TP2, TP10, TP15, TP18		TEST POINT PC MINI BLK	Keystone	5001	Thru-Hole	Yes
67	1	U1	NCP1680	Totem Pole PFC Controller, SOIC16	onsemi	NCP1680AAD1R2G	SOIC-16	No
68	1	U2	NCP51530	High Frequency Gate Driver	onsemi	NCP51530ADR2G	SOIC-8	No
69	1	Z1	4.7 V	Zener Diode	onsemi	MMSZ5230BT1G	SOD-123	Yes
70	2	Z2-3	15 V	Zener Diode	onsemi	MMSZ4702T1G	SOD-123	Yes

# EVBUM2822/D

**Table 5. BILL OF MATERIALS – DAUGHTER CARD**

Item	Qty	REF DES	Value	Description	Manufacturer	MPN	PCB Footprint	Substitution Allowed
1	1	C1	3.3 $\mu$ F	CAP, SMD, CERAMIC, 25 V, X5R	TDK	C1608X5R1E335K080AC	603	Yes
2	1	C2	100 nF	CAP, SMD, CERAMIC, 25 V, X7R	Yageo	CC0603KRX7R8BB104	603	Yes
3	1	C3	2.2 $\mu$ F	CAP, SMD, CERAMIC, 25 V, X5R	Murata	GRM188R61E225MA12D	603	Yes
4	1	C6	10 pF	CAP, SMD, CERAMIC, 50 V, NPO	Murata	GRM1555C1H100JA01J	402	Yes
5	1	C10	0.1 $\mu$ F	CAP, SMD, CERAMIC, 25 V, X7R	Murata	GRM155R71E104KE14D	402	Yes
6	2	C4, C5	0.1 $\mu$ F	CAP CER 0.1 $\mu$ F 630 V 10% X7R 1210	Kemet	C1210C104KBRAC7800	1210	Yes
7	2	C7, C11	1 $\mu$ F	CAP, SMD, CERAMIC, 25 V, X7R	Murata	GCM188R71E105KA64D	603	Yes
8	2	C8, C9	47 pF	CAP, SMD, CERAMIC, 0 V, NPO	Murata	GRM1555C1H470JA01D	402	Yes
9	1	D1	ES1J	DIODE FAST REC 1 A 600 V	onsemi	ES1J	SMA	No
10	1	J1		Conn, Edge, Etch, Mate to TE1761426-3. Goldfinger	TE Connectivity	1761426-3_MATE	PCB	No
11	3	J2, J5, J6	DNP	Testpin, Gold, 40mil	Keystone	1352-1	Thru-Hole	Yes
12	3	J3, J4, J7	DNP	Tip and Barrel pads		N/A	Thru-Hole	Yes
13	2	Q1, Q2	GS66508B	GaN FET, 650 V, E-mode, 30 A, 50 m $\Omega$ , Kelvin Source	GaN Systems	GS66508B	SMD_7.1 x 8.5 mm	No
14	1	R1	100 $\Omega$	RES, SMD, 1/16 W	Yageo	RC0402FR-07100RL	402	Yes
15	1	R2	2 $\Omega$	RES, SMD, 1/10 W	TE Connectivity	CPF0603F2R0C1	603	Yes
16	1	R6	60.4 k $\Omega$	RES, SMD, 1/16 W	Yageo	RC0402FR-0760K4L	402	Yes
17	2	R3, R10	49.9 $\Omega$	RES, SMD, 49.9 R 1/10 W 0603	Vishay Dale	CRCW060349R9FKEAC	603	Yes
18	2	R4, R11	4.99 $\Omega$	RES, SMD, 1/10 W	Vishay	CRCW06034R99FKEA	603	Yes
19	2	R5, R12	10 k $\Omega$	RES, SMD, 1/10 W	Yageo	RC0603FR-0710KL	603	Yes
20	1	U1		High Speed Half Bridge GaN Driver	onsemi	NCP51820	MLP 4 x 4-15	No

**onsemi**, **Onsemi**, and other names, marks, and brands are registered and/or common law trademarks of Semiconductor Components Industries, LLC dba "**onsemi**" or its affiliates and/or subsidiaries in the United States and/or other countries. **onsemi** owns the rights to a number of patents, trademarks, copyrights, trade secrets, and other intellectual property. A listing of **onsemi**'s product/patent coverage may be accessed at [www.onsemi.com/site/pdf/Patent-Marking.pdf](http://www.onsemi.com/site/pdf/Patent-Marking.pdf). **onsemi** is an Equal Opportunity/Affirmative Action Employer. This literature is subject to all applicable copyright laws and is not for resale in any manner.

The evaluation board/kit (research and development board/kit) (hereinafter the "board") is not a finished product and is not available for sale to consumers. The board is only intended for research, development, demonstration and evaluation purposes and will only be used in laboratory/development areas by persons with an engineering/technical training and familiar with the risks associated with handling electrical/mechanical components, systems and subsystems. This person assumes full responsibility/liability for proper and safe handling. Any other use, resale or redistribution for any other purpose is strictly prohibited.

**THE BOARD IS PROVIDED BY ONSEMI TO YOU "AS IS" AND WITHOUT ANY REPRESENTATIONS OR WARRANTIES WHATSOEVER. WITHOUT LIMITING THE FOREGOING, ONSEMI (AND ITS LICENSORS/SUPPLIERS) HEREBY DISCLAIMS ANY AND ALL REPRESENTATIONS AND WARRANTIES IN RELATION TO THE BOARD, ANY MODIFICATIONS, OR THIS AGREEMENT, WHETHER EXPRESS, IMPLIED, STATUTORY OR OTHERWISE, INCLUDING WITHOUT LIMITATION ANY AND ALL REPRESENTATIONS AND WARRANTIES OF MERCHANTABILITY, FITNESS FOR A PARTICULAR PURPOSE, TITLE, NON-INFRINGEMENT, AND THOSE ARISING FROM A COURSE OF DEALING, TRADE USAGE, TRADE CUSTOM OR TRADE PRACTICE.**

**onsemi** reserves the right to make changes without further notice to any board.

You are responsible for determining whether the board will be suitable for your intended use or application or will achieve your intended results. Prior to using or distributing any systems that have been evaluated, designed or tested using the board, you agree to test and validate your design to confirm the functionality for your application. Any technical, applications or design information or advice, quality characterization, reliability data or other services provided by **onsemi** shall not constitute any representation or warranty by **onsemi**, and no additional obligations or liabilities shall arise from **onsemi** having provided such information or services.

**onsemi** products including the boards are not designed, intended, or authorized for use in life support systems, or any FDA Class 3 medical devices or medical devices with a similar or equivalent classification in a foreign jurisdiction, or any devices intended for implantation in the human body. You agree to indemnify, defend and hold harmless **onsemi**, its directors, officers, employees, representatives, agents, subsidiaries, affiliates, distributors, and assigns, against any and all liabilities, losses, costs, damages, judgments, and expenses, arising out of any claim, demand, investigation, lawsuit, regulatory action or cause of action arising out of or associated with any unauthorized use, even if such claim alleges that **onsemi** was negligent regarding the design or manufacture of any products and/or the board.

This evaluation board/kit does not fall within the scope of the European Union directives regarding electromagnetic compatibility, restricted substances (RoHS), recycling (WEEE), FCC, CE or UL, and may not meet the technical requirements of these or other related directives.

FCC WARNING – This evaluation board/kit is intended for use for engineering development, demonstration, or evaluation purposes only and is not considered by **onsemi** to be a finished end product fit for general consumer use. It may generate, use, or radiate radio frequency energy and has not been tested for compliance with the limits of computing devices pursuant to part 15 of FCC rules, which are designed to provide reasonable protection against radio frequency interference. Operation of this equipment may cause interference with radio communications, in which case the user shall be responsible, at its expense, to take whatever measures may be required to correct this interference.

**onsemi** does not convey any license under its patent rights nor the rights of others.

LIMITATIONS OF LIABILITY: **onsemi** shall not be liable for any special, consequential, incidental, indirect or punitive damages, including, but not limited to the costs of requalification, delay, loss of profits or goodwill, arising out of or in connection with the board, even if **onsemi** is advised of the possibility of such damages. In no event shall **onsemi**'s aggregate liability from any obligation arising out of or in connection with the board, under any theory of liability, exceed the purchase price paid for the board, if any.

The board is provided to you subject to the license and other terms per **onsemi**'s standard terms and conditions of sale. For more information and documentation, please visit [www.onsemi.com](http://www.onsemi.com).

## ADDITIONAL INFORMATION

### TECHNICAL PUBLICATIONS:

Technical Library: [www.onsemi.com/design/resources/technical-documentation](http://www.onsemi.com/design/resources/technical-documentation)  
onsemi Website: [www.onsemi.com](http://www.onsemi.com)

ONLINE SUPPORT: [www.onsemi.com/support](http://www.onsemi.com/support)

For additional information, please contact your local Sales Representative at [www.onsemi.com/support/sales](http://www.onsemi.com/support/sales)