

# Dual MOSFET Gate Driver, High Performance

## NCP81075

### Introduction

The NCP81075 is a high performance dual MOSFET gate driver optimized to drive the gates of both high and low side power MOSFETs in a synchronous buck converter. The NCP81075 uses an on-chip bootstrap diode to eliminate the external discrete diode. A high floating top driver design can accommodate HB voltage as high as 180 V. The low-side and high-side are independently controlled and match to 4 ns between the turn-on and turn-off of each other. Independent Under-Voltage lockout is provided for the high side and low side driver forcing the output low when the drive voltage is below a specific threshold.

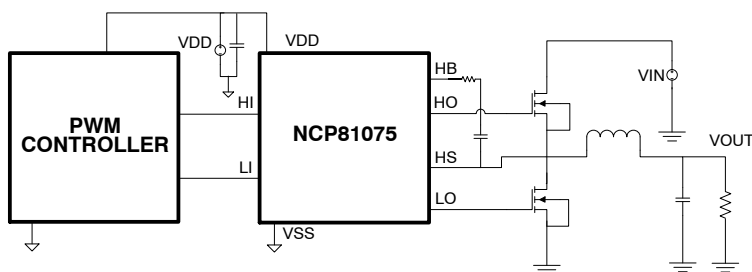
### Features

- Drives Two N-Channel MOSFETs in High-Side and Low-Side Configuration
- Floating Top Driver Accommodates Boost Voltage up to 180 V
- Switching Frequency up to 1 MHz
- 20 ns Propagation Delay Times
- 4 A Sink, 4 A Source Output Currents
- 8 ns Rise / 7 ns Fall Times with 1000 pF Load
- UVLO Protection
- Specified from -40°C to 140°C
- Offered in SOIC-8 (D), DFN8 (MN), WDFN10 (MT) Packages
- These Devices are Pb-Free, Halogen Free/BFR Free and are RoHS Compliant

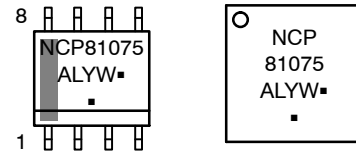
### Applications

- Telecom and Datacom
- Isolated Non-Isolated Power Supply Architectures
- Class D Audio Amplifiers
- Two Switch and Active Clamp Forward Converters

### Simplified Application Diagram



### MARKING DIAGRAMS



NCP81075 = Specific Device Code

A = Assembly Location

L = Wafer Lot

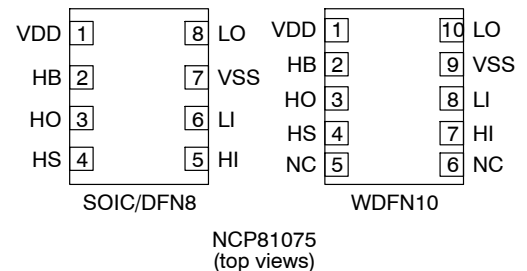
Y = Year

W = Work Week

▪ = Pb-Free Package

(Note: Microdot may be in either location)

### PINOUT DIAGRAMS



### ORDERING INFORMATION

| Device        | Package             | Shipping†             |
|---------------|---------------------|-----------------------|
| NCP81075DR2G  | SOIC8<br>(Pb-Free)  | 2500 /<br>Tape & Reel |
| NCP81075MNTXG | DFN8<br>(Pb-Free)   | 4000 /<br>Tape & Reel |
| NCP81075MTTXG | WDFN10<br>(Pb-Free) | 4000 /<br>Tape & Reel |

†For information on tape and reel specifications, including part orientation and tape sizes, please refer to our Tape and Reel Packaging Specifications Brochure, BRD8011/D.

# NCP81075

**Table 1. PIN DESCRIPTION**

| Pin No. SOIC/DFN8 | Pin No. WDFN10 | Symbol | Description                              |
|-------------------|----------------|--------|------------------------------------------|
| 1                 | 1              | VDD    | Positive Supply to the Lower Gate Driver |
| 2                 | 2              | HB     | High Side Bootstrap Supply               |
| 3                 | 3              | HO     | High Side Output                         |
| 4                 | 4              | HS     | High-Side Source                         |
| 5                 | 7              | HI     | High-Side Input                          |
| 6                 | 8              | LI     | Low-Side Input                           |
| 7                 | 9              | VSS    | Negative Supply Return                   |
| 8                 | 10             | LO     | Low-Side Output                          |
| -                 | 5,6            | NC     | No Connect                               |

**Table 2. MAXIMUM RATINGS**

| Parameter                                            |                           | Value                                                                                  | Units |
|------------------------------------------------------|---------------------------|----------------------------------------------------------------------------------------|-------|
| VDD                                                  |                           | -0.3 to 24                                                                             | V     |
| V <sub>HB</sub>                                      |                           | -0.3 to 200                                                                            | V     |
| V <sub>HO</sub>                                      | DC                        | V <sub>HS</sub> - 0.3 to V <sub>HB</sub> + 0.3                                         | V     |
|                                                      | Repetitive Pulse < 100 ns | V <sub>HS</sub> - 2 to V <sub>HB</sub> + 0.3, (V <sub>HB</sub> - V <sub>HS</sub> < 24) |       |
| V <sub>HS</sub>                                      | DC                        | -20 to 200 - VDD                                                                       | V     |
| V <sub>LO</sub>                                      | DC                        | -0.3 to VDD + 0.3                                                                      | V     |
|                                                      | Repetitive pulse < 100 ns | -2 to VDD + 0.3                                                                        |       |
| V <sub>HI</sub> , V <sub>LI</sub>                    |                           | -10 to 24                                                                              | V     |
| V <sub>HB</sub> - HS                                 |                           | -0.3 to 24                                                                             | V     |
| Operating Junction Temperature Range, T <sub>J</sub> |                           | -40 to 170                                                                             | °C    |
| Storage Temperature, T <sub>STG</sub>                |                           | -65 to 150                                                                             | °C    |
| Lead Temperature (Soldering, 10 sec)                 |                           | +300                                                                                   | °C    |
| HBM                                                  |                           | 1000                                                                                   | V     |
| CDM                                                  |                           | 2000                                                                                   | V     |

Stresses exceeding those listed in the Maximum Ratings table may damage the device. If any of these limits are exceeded, device functionality should not be assumed, damage may occur and reliability may be affected.

1. V<sub>HB</sub> - V<sub>HS</sub> should be in the range of -0.3 V to +20 V.

**Table 3. RECOMMENDED OPERATING CONDITIONS**

| Parameter       |                                      | Min                                         | Nom | Max                          | Units  |
|-----------------|--------------------------------------|---------------------------------------------|-----|------------------------------|--------|
| V <sub>DD</sub> | Supply Voltage Range                 | 8.5                                         | 12  | 20                           | V      |
| V <sub>HS</sub> | Voltage on HS (DC)                   | -10                                         |     | 180 - VDD                    |        |
| V <sub>HB</sub> | Voltage on HB                        | V <sub>HS</sub> + 8,<br>V <sub>DD</sub> - 1 |     | V <sub>HS</sub> + 20,<br>180 |        |
|                 | Voltage Slew Rate on HS              |                                             |     | 50                           | V / ns |
| T <sub>J</sub>  | Operating Junction Temperature Range | -40                                         |     | +140                         | °C     |
| V <sub>HO</sub> |                                      | V <sub>HS</sub> - 0.3                       |     | V <sub>HB</sub> + 0.3        | V      |
| V <sub>LO</sub> |                                      | -0.3                                        |     | V <sub>DD</sub> + 0.3        | V      |

Functional operation above the stresses listed in the Recommended Operating Ranges is not implied. Extended exposure to stresses beyond the Recommended Operating Ranges limits may affect device reliability.

# NCP81075

## ABSOLUTE MAXIMUM RATINGS

**Table 4. ELECTRICAL/THERMAL INFORMATION** (All signals referenced to GND unless noted otherwise, Note 2)

| Thermal Characteristic                                             | SOIC | DFN8 | DFN10 | Unit |
|--------------------------------------------------------------------|------|------|-------|------|
| $\theta_{JA}$ Junction to Ambient thermal resistance               | 116  | 36   | 35    | °C/W |
| $\theta_{JC(top)}$ Junction to case (Top) thermal resistance       | 98   | 42   | 32    |      |
| $\theta_{JB}$ Junction to Board thermal resistance                 | 52   | 19.1 | 12    |      |
| $\theta_{JC(Bottom)}$ Junction to case (Bottom) thermal resistance | 40   | 4    | 1.3   |      |
| $\psi_{JT}$ Junction to top characterization parameter             | 14   | 0.6  | 0.2   |      |
| $\psi_{JB}$ Junction to board characterization parameter           | 39   | 19.3 | 12.2  |      |
| Moisture Sensitivity Level (MSL)<br>QFN Package                    | 1    |      |       |      |

2. This data was taken using the JEDEC proposed High-K Test PCB.

**Table 5. ELECTRICAL CHARACTERISTICS**

Unless otherwise stated:  $T_A = T_J = -40^{\circ}\text{C}$  to  $140^{\circ}\text{C}$ ;  $V_{DD} = V_{HB} = 12\text{ V}$ ,  $V_{HS} = V_{SS} = 0\text{ V}$ , No load on LO or HO

| Parameter                             | Test Condition                            | Min                                                     | Typ | Max  | Units |               |
|---------------------------------------|-------------------------------------------|---------------------------------------------------------|-----|------|-------|---------------|
| <b>SUPPLY CURRENTS</b>                |                                           |                                                         |     |      |       |               |
| $I_{DD}$                              | VDD quiescent current                     | $V_{LI} = V_{HI} = 0$                                   |     | 0.85 | 1.8   | mA            |
| $I_{DDO}$                             | VDD operating current                     | $f = 500\text{ kHz}$ , $C_{LOAD} = 0$                   |     | 7.3  | 15    |               |
|                                       |                                           | $f = 300\text{ kHz}$ , $C_{LOAD} = 0$                   |     | 4.9  | 11    |               |
| $I_{HB}$                              | Boot voltage quiescent current            | $V_{LI} = V_{HI} = 0\text{ V}$                          |     | 0.92 | 1.8   |               |
| $I_{HBO}$                             | Boot voltage operating current            | $f = 500\text{ kHz}$ , $C_{LOAD} = 0$                   |     | 6.55 | 12    |               |
|                                       |                                           | $f = 300\text{ kHz}$ , $C_{LOAD} = 0$                   |     | 4.5  | 7.0   |               |
| $I_{HBS}$                             | HB to $V_{SS}$ quiescent current          | $V_{HS} = V_{HB} = 110\text{ V}$                        |     | 5.0  | 25    | $\mu\text{A}$ |
| $I_{HBSO}$                            | HB to $V_{SS}$ operating current          | $f = 500\text{ kHz}$ , $C_{LOAD} = 0$                   |     | 0.1  |       | mA            |
| <b>INPUT</b>                          |                                           |                                                         |     |      |       |               |
| $V_{HIH}$ , $V_{LIH}$                 | Input rising threshold                    |                                                         | 2.7 |      | V     |               |
| $V_{HIL}$ , $V_{LIL}$                 | Input falling threshold                   |                                                         |     | 0.8  |       |               |
| $R_{IN}$                              | Input Pulldown Resistance                 |                                                         | 100 | 170  | 350   | k $\Omega$    |
| <b>UNDERVOLTAGE PROTECTION (UVLO)</b> |                                           |                                                         |     |      |       |               |
|                                       | VDD rising threshold                      |                                                         | 6.2 | 7.1  | 8.0   | V             |
|                                       | VDD threshold hysteresis                  |                                                         |     | 0.58 |       |               |
|                                       | VHB rising threshold                      |                                                         | 5.5 | 6.5  | 7.5   |               |
|                                       | VHB threshold hysteresis                  |                                                         |     | 0.5  |       |               |
| <b>BOOTSTRAP DIODE</b>                |                                           |                                                         |     |      |       |               |
| $V_F$                                 | Low-current forward voltage               | $I_{VDD} - HB = 100\ \mu\text{A}$                       |     | 0.59 | 0.95  | V             |
| $V_{FI}$                              | High-current forward voltage              | $I_{VDD} - HB = 100\text{ mA}$                          |     | 0.85 | 1.1   |               |
| $R_D$                                 | Dynamic resistance, $\Delta V_F/\Delta I$ | $I_{VDD} - HB = 100\text{ mA}$ and $80\text{ mA}$       |     | 0.94 | 2.0   | $\Omega$      |
| <b>LO GATE DRIVER</b>                 |                                           |                                                         |     |      |       |               |
| $V_{LOL}$                             | Low level output voltage                  | $I_{LO} = 100\text{ mA}$                                |     | 0.1  | 0.40  | V             |
| $V_{LOH}$                             | High level output voltage                 | $I_{LO} = -100\text{ mA}$ , $V_{LOH} = V_{DD} - V_{LO}$ |     | 0.15 | 0.40  |               |
|                                       | Peak pull-up current                      | $V_{LO} = 0\text{ V}$                                   |     | 4    |       | A             |
|                                       | Peak pull-down current                    | $V_{LO} = 12\text{ V}$                                  |     | 4    |       |               |

# NCP81075

**Table 5. ELECTRICAL CHARACTERISTICS**

Unless otherwise stated:  $T_A = T_J = -40^{\circ}\text{C}$  to  $140^{\circ}\text{C}$ ;  $V_{DD} = V_{HB} = 12\text{ V}$ ,  $V_{HS} = V_{SS} = 0\text{ V}$ , No load on LO or HO

| Parameter                        | Test Condition                                    | Min                                                                   | Typ  | Max  | Units         |
|----------------------------------|---------------------------------------------------|-----------------------------------------------------------------------|------|------|---------------|
| <b>HO GATE DRIVER</b>            |                                                   |                                                                       |      |      |               |
| $V_{HOL}$                        | Low level output voltage                          | $I_{HO} = 100\text{ mA}$                                              | 0.1  | 0.40 | V             |
| $V_{HOH}$                        | High level output voltage                         | $I_{HO} = -100\text{ mA}$ , $V_{HOH} = V_{HB} - V_{HO}$               | 0.15 | 0.40 |               |
|                                  | Peak pull-up current                              | $V_{LO} = 0\text{ V}$                                                 | 4    |      | A             |
|                                  | Peak pull-down current                            | $V_{LO} = 12\text{ V}$                                                | 4    |      |               |
| <b>PROPAGATION DELAYS</b>        |                                                   |                                                                       |      |      |               |
| $t_{DLFF}$                       | $V_{LI}$ falling to $V_{LO}$ falling              | $C_{LOAD} = 0$ ( $-40$ to $125^{\circ}\text{C}$ )                     | 20   | 45   | ns            |
|                                  |                                                   | $C_{LOAD} = 0$ ( $-40$ to $140^{\circ}\text{C}$ )                     | 20   | 50   |               |
| $t_{DHFF}$                       | $V_{HI}$ falling to $V_{HO}$ falling              | $C_{LOAD} = 0$ ( $-40$ to $125^{\circ}\text{C}$ )                     | 20   | 45   |               |
|                                  |                                                   | $C_{LOAD} = 0$ ( $-40$ to $140^{\circ}\text{C}$ )                     | 20   | 50   |               |
| $t_{DLRR}$                       | $V_{LI}$ rising to $V_{LO}$ rising                | $C_{LOAD} = 0$ ( $-40$ to $125^{\circ}\text{C}$ )                     | 20   | 45   |               |
|                                  |                                                   | $C_{LOAD} = 0$ ( $-40$ to $140^{\circ}\text{C}$ )                     | 20   | 50   |               |
| $t_{DHRR}$                       | $V_{HI}$ rising to $V_{HO}$ rising                | $C_{LOAD} = 0$ ( $-40$ to $125^{\circ}\text{C}$ )                     | 20   | 45   |               |
|                                  |                                                   | $C_{LOAD} = 0$ ( $-40$ to $140^{\circ}\text{C}$ )                     | 20   | 50   |               |
| <b>DELAY MATCHING</b>            |                                                   |                                                                       |      |      |               |
| $t_{MON}$                        | LI ON, HI OFF                                     |                                                                       | 3.5  | 14   | ns            |
| $t_{MOFF}$                       | LI OFF, HI ON                                     |                                                                       | 3.5  | 14   |               |
| <b>OUTPUT RISE AND FALL TIME</b> |                                                   |                                                                       |      |      |               |
| $t_R$                            | LO, HO                                            | $C_{LOAD} = 1000\text{ pF}$                                           | 8    |      | ns            |
| $t_F$                            | LO, HO                                            | $C_{LOAD} = 1000\text{ pF}$                                           | 7    |      |               |
| $t_R$                            | LO, HO (3 V to 9 V)                               | $C_{LOAD} = 0.1\text{ }\mu\text{F}$                                   | 0.2  | 0.55 | $\mu\text{s}$ |
| $t_F$                            | LO, HO (3 V to 9 V)                               | $C_{LOAD} = 0.1\text{ }\mu\text{F}$                                   | 0.25 | 0.45 |               |
| <b>MISCELLANEOUS</b>             |                                                   |                                                                       |      |      |               |
| $t_1$                            | Minimum input pulse width that changes the output |                                                                       | 30   |      | ns            |
| $t_2$                            | Bootstrap diode turn-off time                     | $I_F = 100\text{ mA}$ , $I_{REV} = -100\text{ mA}$<br>(Notes 3 and 4) | 50   |      |               |

Product parametric performance is indicated in the Electrical Characteristics for the listed test conditions, unless otherwise noted. Product performance may not be indicated by the Electrical Characteristics if operated under different conditions.

3. Typical values for  $T_A = 25^{\circ}\text{C}$

4.  $I_F$ : Forward current applied to bootstrap diode,  $I_{REV}$ : Reverse current applied to bootstrap diode.

# NCP81075

## Internal Block Diagram

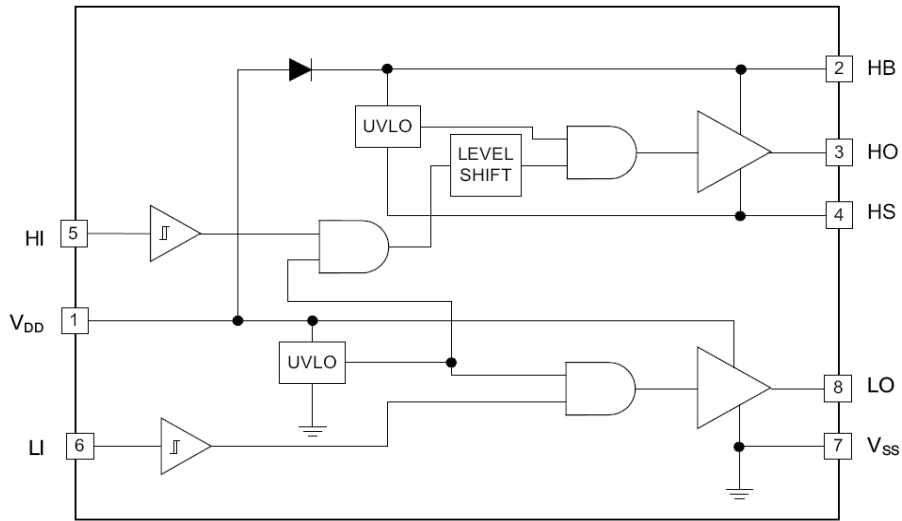
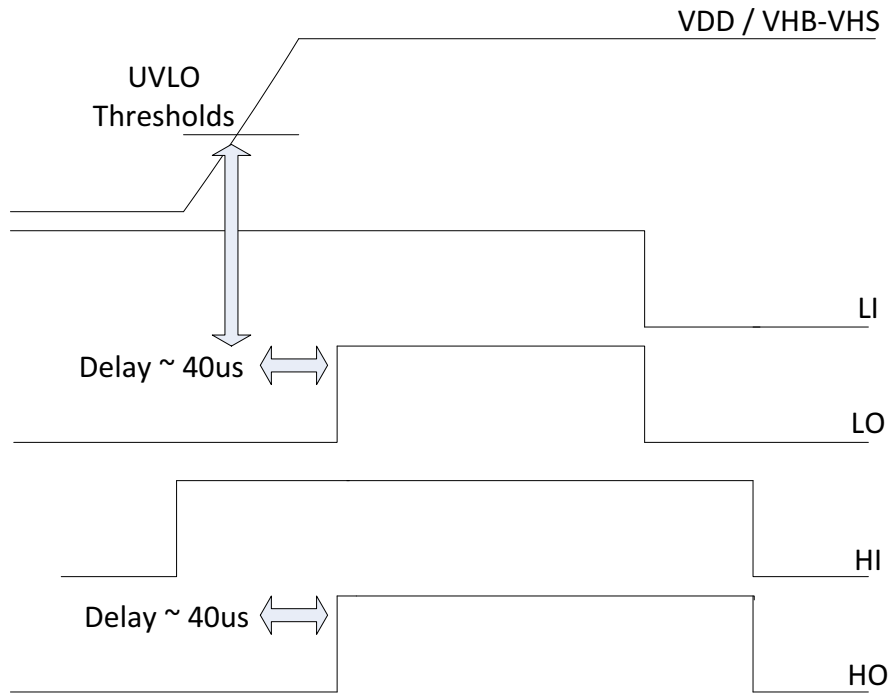


Figure 1. Internal Block Diagram

## Timing Diagrams



Note: If HI is set and the High-Side driver (VHB-VHS) crosses its UVLO threshold 100ns after the VDD UVLO then a rising edge on HI is required to pull HO High.

Figure 2. UVLO

# NCP81075

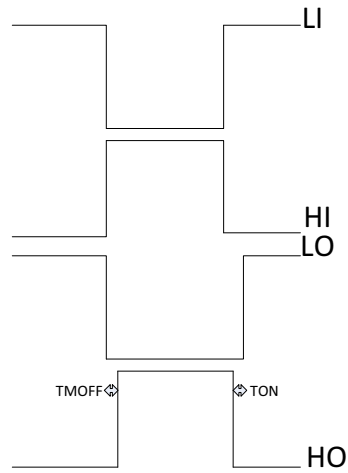


Figure 3. TMON and TMOFF

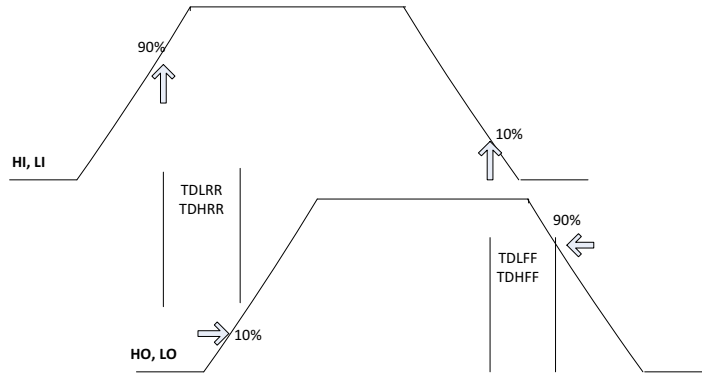


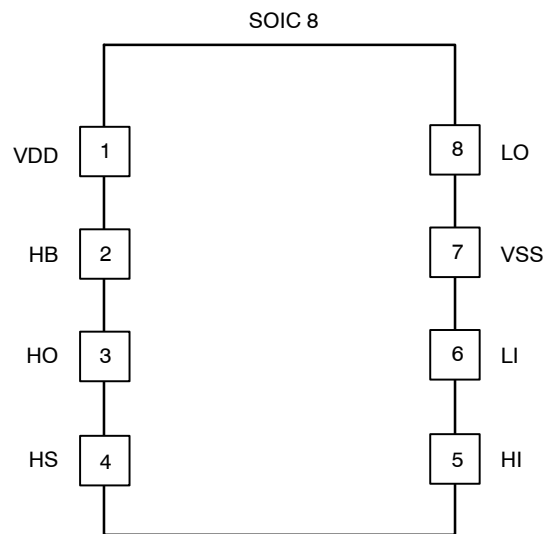
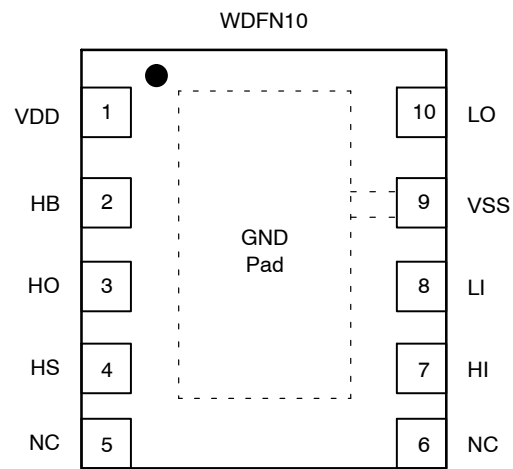
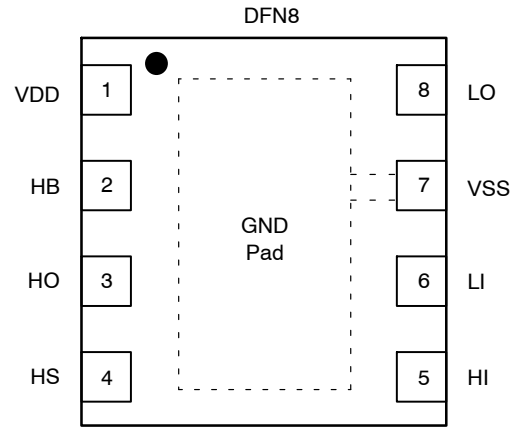
Figure 4. Propagation Delays

## LOGIC TABLE

| HI | LI | HO | LO |
|----|----|----|----|
| L  | L  | L  | L  |
| L  | H  | L  | H  |
| H  | L  | H  | L  |
| H  | H  | H  | H  |

# NCP81075

## PINOUT DIAGRAMS



Note: The V<sub>SS</sub> Pin and the GND Pad are internally connected.

Figure 5. NCP81075 Top View

TYPICAL CHARACTERISTICS

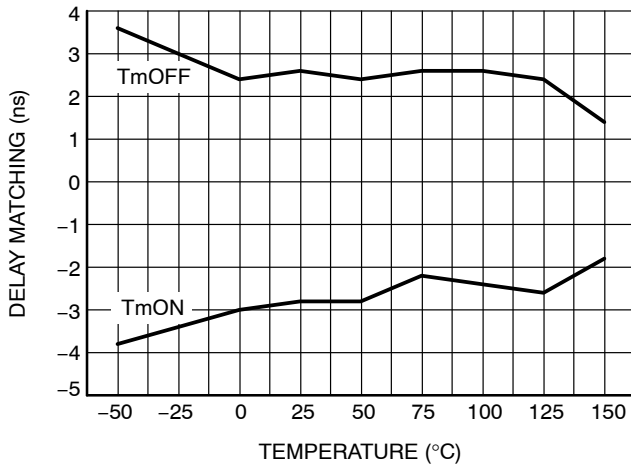


Figure 6. Delay Matching vs. Temperature

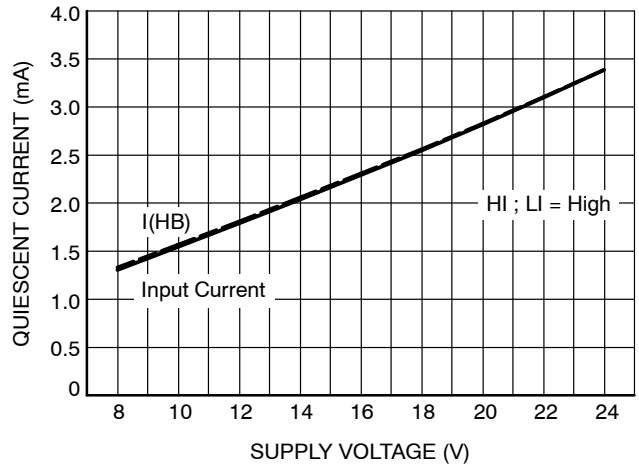


Figure 7. Quiescent Current vs. Supply Voltage High

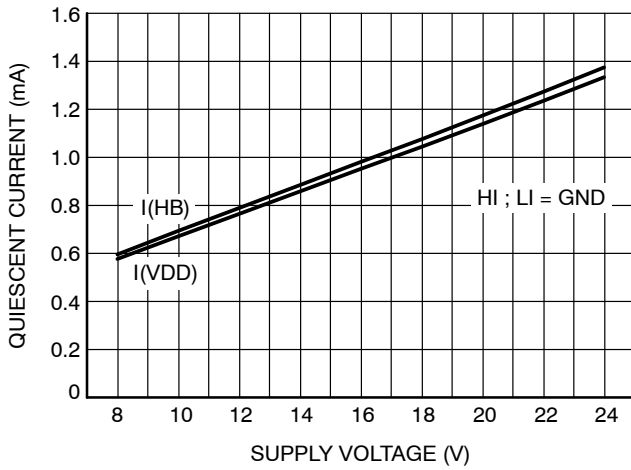


Figure 8. Quiescent Current vs. Supply Voltage Low

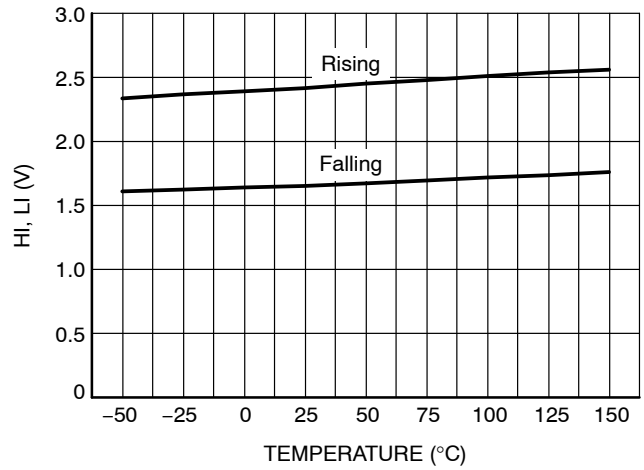


Figure 9. Input Threshold vs. Temperature

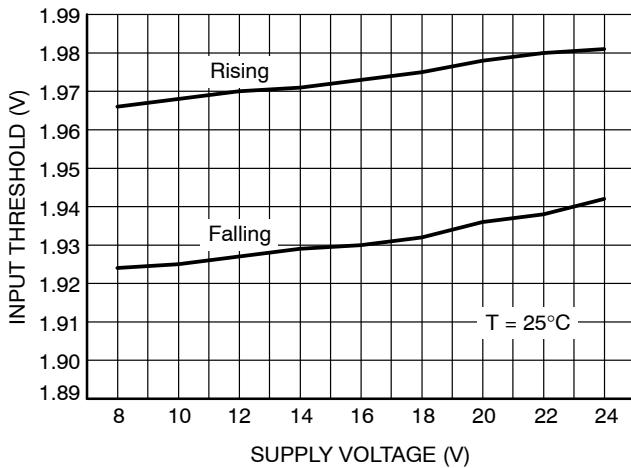


Figure 10. Input Threshold vs. Supply Voltage

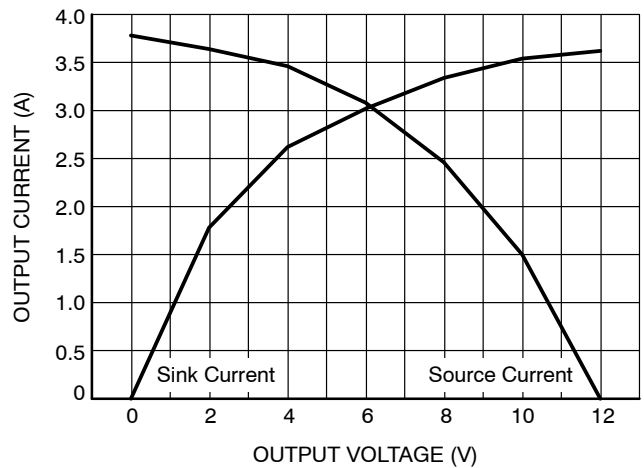


Figure 11. Output Current vs. Output Voltage



TYPICAL CHARACTERISTICS

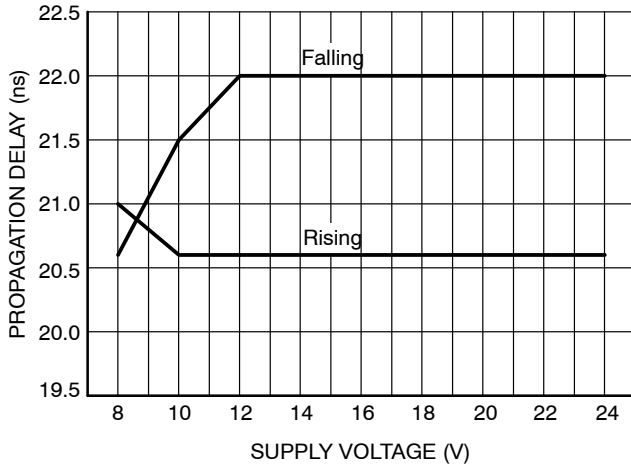


Figure 12. Propagation Delay vs. Supply Voltage

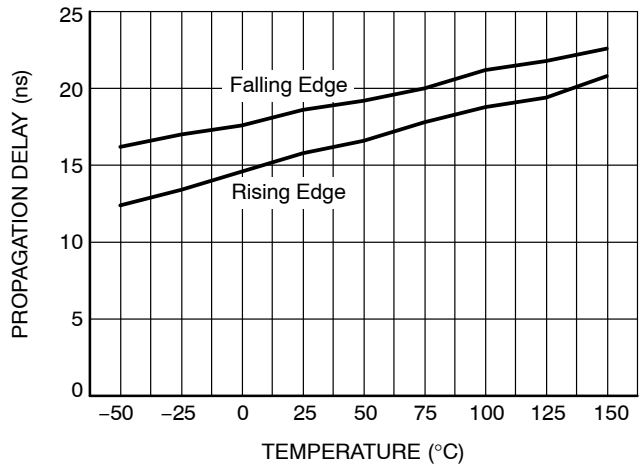


Figure 13. Propagation Delay vs. Temperature

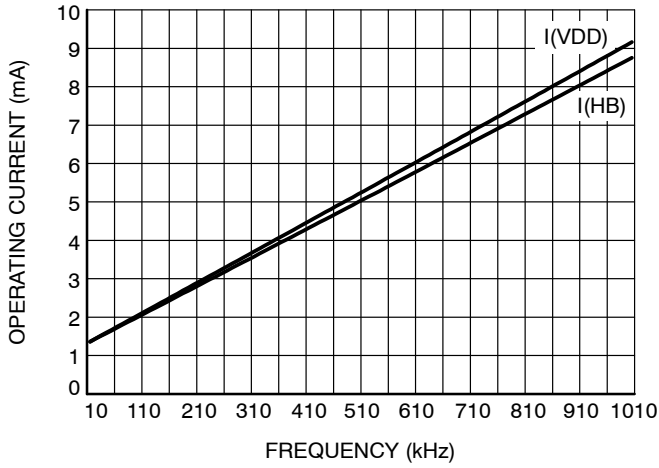


Figure 14. Operating Current vs. Frequency

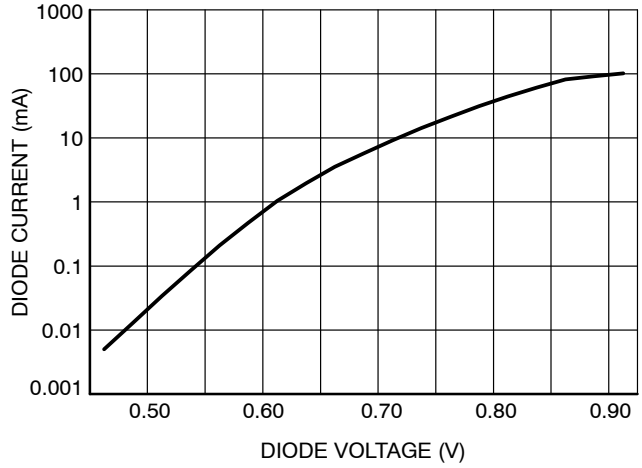


Figure 15. Diode Current vs. Diode Voltage

## APPLICATION INFORMATION

The NCP81075 is a high performance dual MOSFET gate driver optimized for driving the gates of both high side and low side power MOSFETs in a synchronous buck converter topology. A high and a Low input signals are all that is required to properly drive the high side and low side MOSFETs.

**Low-Side Driver**

The low side driver is designed to drive low  $R_{DS(ON)}$  N-channel MOSFETs. The typical output resistances for the driver are 1.5 ohms for sourcing and 1 ohm for sinking gate current. Due to the parasitic inductances of the packages, drive circuits and the nonlinearity of the MOSFETs output resistances the recorded peak current is close to 4 A.

The low output resistances allow the driver to have 8 ns rise and 7 ns fall times into a 1 nF load. When the driver is enabled, the driver's output is in phase with LI. When the NCP81075 is disabled, the low side gate is held low.

**High-Side Driver**

The high side driver is designed to drive a floating low  $R_{DS(ON)}$  N-channel MOSFET. The output resistances for the driver are 1.5 ohms for sourcing and 1 ohm for sinking gate current. The bias voltage for the high side driver is realized by an external bootstrap supply circuit which is connected between the HB and HS Pins.

The bootstrap circuit is comprised of only the bootstrap capacitor since the bootstrap diode is internal. When the NCP81075 is starting up, the HS Pin is at ground, the bootstrap capacitor will charge up to VDD through the internal diode. When the HI goes high, the high side driver will begin to turn the high side MOSFET On by pulling charge out of the bootstrap capacitor. As the external MOSFET turns ON, the HS Pin will rise up to  $V_{IN}$ , forcing the HB Pin to  $V_{IN} + V_{BstCap}$  which is enough gate to source voltage to hold the switch On. To complete the cycle, the MOSFET is switched OFF by pulling the gate down to the voltage at the HS Pin. When the low side MOSFET turns On, the HS Pin is pulled to ground. This allows the bootstrap capacitor to charge up to VDD again. The high-side driver's output is in phase with the HI input. When the driver is disabled, the high side gate is held low.

Unlike a Buck regulator at power-up, Boost regulators typically require starting when the HS pin is at the  $V_{IN}$  level, instead of GND or the prevailing  $V_{OUT}$ . Care should be

taken by the system designer to pre-charge the bootstrap capacitor ( $C_{BST}$ ) to ensure sufficient voltage levels for proper operation. If the capacitor is discharged, the high-side power MOSFET relies on the driver's internal 20 k $\Omega$  pull down resistor to prevent charge from building up across its  $V_{GS}$  during the initial low side FET turn on events. High  $dV/dt$  on HS, when turning on the low-side MOSFET, creates a capacitive divider across the high side FET gate, possibly resulting in cross-conduction. With proper biasing across  $C_{BST}$  ( $V_{HB} - V_{HS}$ ), the internal low-impedance pull down at HO ensures the high-side FET remains off.

**The external BST resistor, which connects HB pin and BST cap, should avoid excessive resistance.** NCP81075 has high-side UVLO protection based on the voltage across HB and HS pins. High resistance on HB pin may falsely trigger UVLO protection at the moment when high-side MOSFET is turning on.

**UVLO (Under Voltage Lockout)**

The bias supplies of the high-side and low-side drivers have UVLO protection. The VDD UVLO disables both drivers when the VDD voltage crosses the specified threshold. The typical rising threshold is 7.1 V with 0.58 V hysteresis. The VHB UVLO disables only the high-side driver when the VHB to VHS is below the specified threshold. The typical VHB UVLO rising threshold is 6.5 V with 0.5 V hysteresis. The designer must take into account a 40  $\mu$ s delay before the output channels can react to a logic input. (Refer to the UVLO Timing Diagram).

**Input Stages**

The input stage of the NCP81075 is TTL compatible. The logic rising threshold level is 2.4 V and the logic falling threshold is 1.6 V.

**Layout Guidelines**

Gate drivers experience high  $di/dt$  during the switching transitions. So, the inductance at the gate drive traces must be minimized to avoid excessive ringing on the switch node. Gate drive traces should be kept as short and wide (> 20 mil) as practical. The input capacitor must be placed as close as possible to the IC. Connect the VSS pin of the NCP81075 as close as possible to the source of the lower MOSFET. The use of vias is highly desirable to maximize thermal conduction away from driver.

# MECHANICAL CASE OUTLINE

## PACKAGE DIMENSIONS

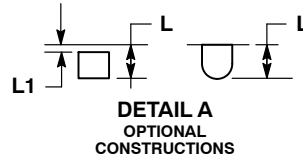
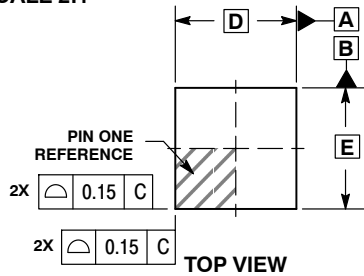
ON Semiconductor®



SCALE 2:1

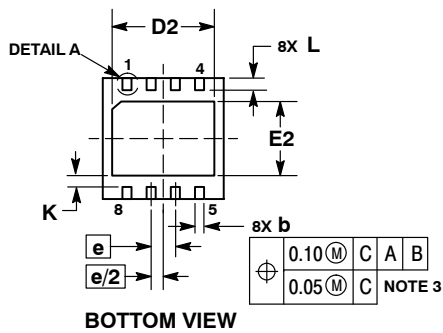
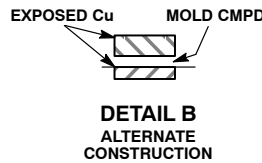
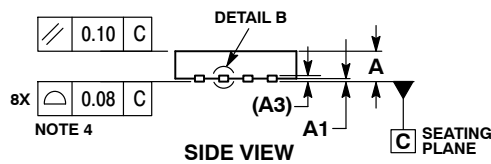
DFN8, 4x4, 0.8P  
CASE 506CY  
ISSUE O

DATE 31 JUL 2014



- NOTES:
1. DIMENSIONS AND TOLERANCING PER ASME Y14.5M, 1994.
  2. CONTROLLING DIMENSION: MILLIMETERS.
  3. DIMENSION b APPLIES TO PLATED TERMINAL AND IS MEASURED BETWEEN 0.15 AND 0.30MM FROM TERMINAL TIP.
  4. COPLANARITY APPLIES TO THE EXPOSED PAD AS WELL AS THE TERMINALS.

| MILLIMETERS |       |      |
|-------------|-------|------|
| DIM         | MIN   | MAX  |
| A           | 0.80  | 1.00 |
| A1          | 0.00  | 0.05 |
| A3          | 0.20  | REF  |
| b           | 0.25  | 0.35 |
| D           | 4.00  | BSC  |
| D2          | 3.28  | 3.48 |
| E           | 4.00  | BSC  |
| E2          | 2.35  | 2.55 |
| e           | 0.80  | BSC  |
| K           | 0.375 | REF  |
| L           | 0.30  | 0.50 |
| L1          | ---   | 0.15 |



### GENERIC MARKING DIAGRAM\*

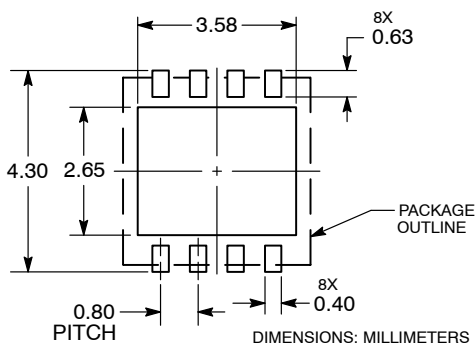


- XXXX = Specific Device Code
- A = Assembly Location
- L = Wafer Lot
- Y = Year
- W = Work Week
- = Pb-Free Package

(Note: Microdot may be in either location)

\*This information is generic. Please refer to device data sheet for actual part marking. Pb-Free indicator, "G" or microdot "▪", may or may not be present.

### RECOMMENDED SOLDERING FOOTPRINT\*



\*For additional information on our Pb-Free strategy and soldering details, please download the ON Semiconductor Soldering and Mounting Techniques Reference Manual, SOLDERRM/D.

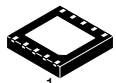
|                         |                        |                                                                                                                                                                                  |
|-------------------------|------------------------|----------------------------------------------------------------------------------------------------------------------------------------------------------------------------------|
| <b>DOCUMENT NUMBER:</b> | <b>98AON89300F</b>     | Electronic versions are uncontrolled except when accessed directly from the Document Repository. Printed versions are uncontrolled except when stamped "CONTROLLED COPY" in red. |
| <b>DESCRIPTION:</b>     | <b>DFN8, 4X4, 0.8P</b> | <b>PAGE 1 OF 1</b>                                                                                                                                                               |

ON Semiconductor and are trademarks of Semiconductor Components Industries, LLC dba ON Semiconductor or its subsidiaries in the United States and/or other countries. ON Semiconductor reserves the right to make changes without further notice to any products herein. ON Semiconductor makes no warranty, representation or guarantee regarding the suitability of its products for any particular purpose, nor does ON Semiconductor assume any liability arising out of the application or use of any product or circuit, and specifically disclaims any and all liability, including without limitation special, consequential or incidental damages. ON Semiconductor does not convey any license under its patent rights nor the rights of others.

# MECHANICAL CASE OUTLINE

## PACKAGE DIMENSIONS

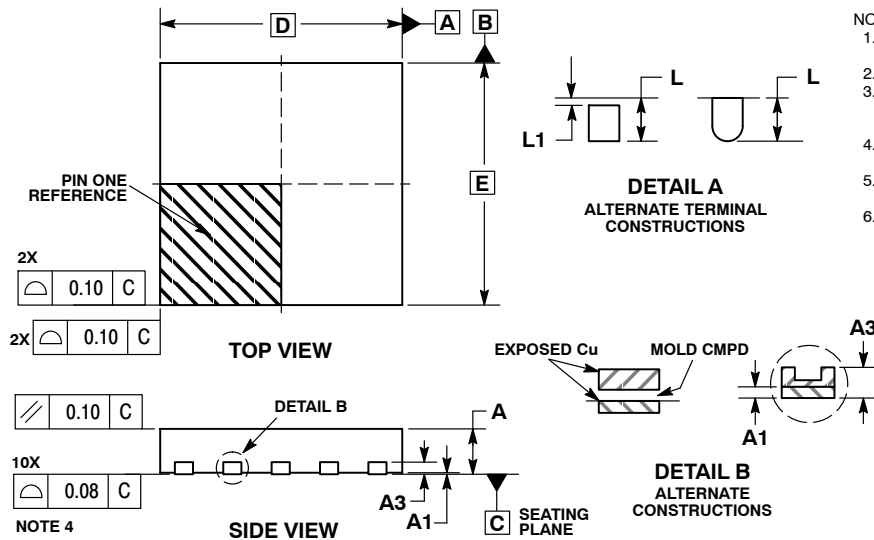
ON Semiconductor®



SCALE 2:1

WDFN10 4x4, 0.8P  
CASE 511CE  
ISSUE O

DATE 17 SEP 2014

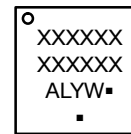


NOTES:

1. DIMENSIONING AND TOLERANCING PER ASME Y14.5M, 1994.
2. CONTROLLING DIMENSION: MILLIMETERS.
3. DIMENSION b APPLIES TO PLATED TERMINAL AND IS MEASURED BETWEEN 0.25 AND 0.30 MM FROM THE TERMINAL TIP.
4. COPLANARITY APPLIES TO THE EXPOSED PAD AS WELL AS THE TERMINALS.
5. DETAILS A AND B SHOW OPTIONAL VIEWS FOR END OF TERMINAL LEAD AT EDGE OF PACKAGE.
6. FOR DEVICE OPN CONTAINING W OPTION, DETAIL B ALTERNATE CONSTRUCTION IS NOT APPLICABLE.

| MILLIMETERS |          |      |
|-------------|----------|------|
| DIM         | MIN      | MAX  |
| A           | 0.70     | 0.80 |
| A1          | 0.00     | 0.05 |
| A3          | 0.20 REF |      |
| b           | 0.25     | 0.35 |
| D           | 4.00 BSC |      |
| D2          | 2.90     | 3.10 |
| E           | 4.00 BSC |      |
| E2          | 2.50     | 2.70 |
| e           | 0.80 BSC |      |
| K           | 0.30 REF |      |
| L           | 0.30     | 0.50 |
| L1          | 0.00     | 0.15 |

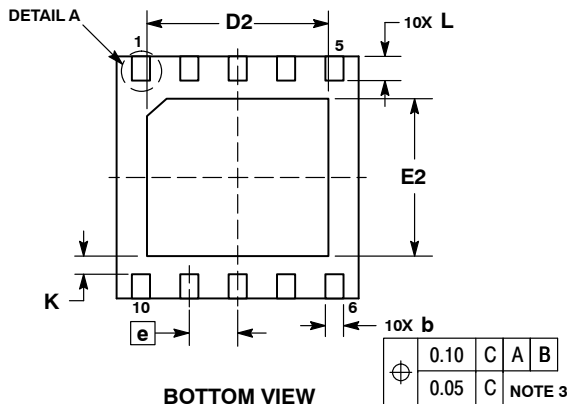
**GENERIC MARKING DIAGRAM\***



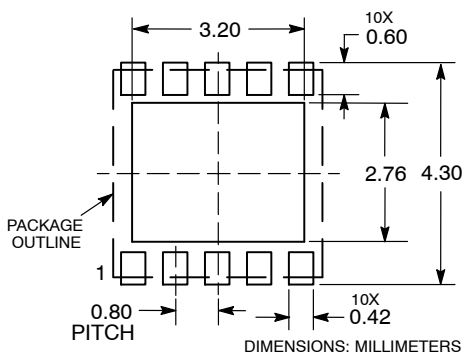
- XXXXXX = Specific Device Code
- A = Assembly Location
- L = Wafer Lot
- Y = Year
- W = Work Week
- = Pb-Free Package

(Note: Microdot may be in either location)

\*This information is generic. Please refer to device data sheet for actual part marking. Pb-Free indicator, "G", may or not be present.



**RECOMMENDED MOUNTING FOOTPRINT**



|                         |                         |                                                                                                                                                                                  |
|-------------------------|-------------------------|----------------------------------------------------------------------------------------------------------------------------------------------------------------------------------|
| <b>DOCUMENT NUMBER:</b> | <b>98AON90341F</b>      | Electronic versions are uncontrolled except when accessed directly from the Document Repository. Printed versions are uncontrolled except when stamped "CONTROLLED COPY" in red. |
| <b>DESCRIPTION:</b>     | <b>WDFN10 4X4, 0.8P</b> | <b>PAGE 1 OF 1</b>                                                                                                                                                               |

ON Semiconductor and are trademarks of Semiconductor Components Industries, LLC dba ON Semiconductor or its subsidiaries in the United States and/or other countries. ON Semiconductor reserves the right to make changes without further notice to any products herein. ON Semiconductor makes no warranty, representation or guarantee regarding the suitability of its products for any particular purpose, nor does ON Semiconductor assume any liability arising out of the application or use of any product or circuit, and specifically disclaims any and all liability, including without limitation special, consequential or incidental damages. ON Semiconductor does not convey any license under its patent rights nor the rights of others.

# MECHANICAL CASE OUTLINE PACKAGE DIMENSIONS



SCALE 1:1

SOIC-8 NB  
CASE 751-07  
ISSUE AK

DATE 16 FEB 2011



- NOTES:
1. DIMENSIONING AND TOLERANCING PER ANSI Y14.5M, 1982.
  2. CONTROLLING DIMENSION: MILLIMETER.
  3. DIMENSION A AND B DO NOT INCLUDE MOLD PROTRUSION.
  4. MAXIMUM MOLD PROTRUSION 0.15 (0.006) PER SIDE.
  5. DIMENSION D DOES NOT INCLUDE DAMBAR PROTRUSION. ALLOWABLE DAMBAR PROTRUSION SHALL BE 0.127 (0.005) TOTAL IN EXCESS OF THE D DIMENSION AT MAXIMUM MATERIAL CONDITION.
  6. 751-01 THRU 751-06 ARE OBSOLETE. NEW STANDARD IS 751-07.

| DIM | MILLIMETERS |      | INCHES    |       |
|-----|-------------|------|-----------|-------|
|     | MIN         | MAX  | MIN       | MAX   |
| A   | 4.80        | 5.00 | 0.189     | 0.197 |
| B   | 3.80        | 4.00 | 0.150     | 0.157 |
| C   | 1.35        | 1.75 | 0.053     | 0.069 |
| D   | 0.33        | 0.51 | 0.013     | 0.020 |
| G   | 1.27 BSC    |      | 0.050 BSC |       |
| H   | 0.10        | 0.25 | 0.004     | 0.010 |
| J   | 0.19        | 0.25 | 0.007     | 0.010 |
| K   | 0.40        | 1.27 | 0.016     | 0.050 |
| M   | 0°          | 8°   | 0°        | 8°    |
| N   | 0.25        | 0.50 | 0.010     | 0.020 |
| S   | 5.80        | 6.20 | 0.228     | 0.244 |

## GENERIC MARKING DIAGRAM\*

### SOLDERING FOOTPRINT\*



XXXXXX = Specific Device Code  
A = Assembly Location  
L = Wafer Lot  
Y = Year  
W = Work Week  
▪ = Pb-Free Package

XXXXXX = Specific Device Code  
A = Assembly Location  
Y = Year  
WW = Work Week  
▪ = Pb-Free Package

\*This information is generic. Please refer to device data sheet for actual part marking. Pb-Free indicator, "G" or microdot "▪", may or may not be present. Some products may not follow the Generic Marking.

\*For additional information on our Pb-Free strategy and soldering details, please download the ON Semiconductor Soldering and Mounting Techniques Reference Manual, SOLDERRM/D.

## STYLES ON PAGE 2

|                  |             |                                                                                                                                                                                  |
|------------------|-------------|----------------------------------------------------------------------------------------------------------------------------------------------------------------------------------|
| DOCUMENT NUMBER: | 98ASB42564B | Electronic versions are uncontrolled except when accessed directly from the Document Repository. Printed versions are uncontrolled except when stamped "CONTROLLED COPY" in red. |
| DESCRIPTION:     | SOIC-8 NB   | PAGE 1 OF 2                                                                                                                                                                      |

onsemi and ONsemi are trademarks of Semiconductor Components Industries, LLC dba onsemi or its subsidiaries in the United States and/or other countries. onsemi reserves the right to make changes without further notice to any products herein. onsemi makes no warranty, representation or guarantee regarding the suitability of its products for any particular purpose, nor does onsemi assume any liability arising out of the application or use of any product or circuit, and specifically disclaims any and all liability, including without limitation special, consequential or incidental damages. onsemi does not convey any license under its patent rights nor the rights of others.

**SOIC-8 NB**  
**CASE 751-07**  
**ISSUE AK**

DATE 16 FEB 2011

- |                                                                                                                                                                                                                                                                                   |                                                                                                                                                                                                                                                                          |                                                                                                                                                                                                                                                                    |                                                                                                                                                                                                                                                                                        |
|-----------------------------------------------------------------------------------------------------------------------------------------------------------------------------------------------------------------------------------------------------------------------------------|--------------------------------------------------------------------------------------------------------------------------------------------------------------------------------------------------------------------------------------------------------------------------|--------------------------------------------------------------------------------------------------------------------------------------------------------------------------------------------------------------------------------------------------------------------|----------------------------------------------------------------------------------------------------------------------------------------------------------------------------------------------------------------------------------------------------------------------------------------|
| <p>STYLE 1:<br/>         PIN 1. EMITTER<br/>         2. COLLECTOR<br/>         3. COLLECTOR<br/>         4. EMITTER<br/>         5. EMITTER<br/>         6. BASE<br/>         7. BASE<br/>         8. EMITTER</p>                                                                 | <p>STYLE 2:<br/>         PIN 1. COLLECTOR, DIE, #1<br/>         2. COLLECTOR, #1<br/>         3. COLLECTOR, #2<br/>         4. COLLECTOR, #2<br/>         5. BASE, #2<br/>         6. EMITTER, #2<br/>         7. BASE, #1<br/>         8. EMITTER, #1</p>               | <p>STYLE 3:<br/>         PIN 1. DRAIN, DIE #1<br/>         2. DRAIN, #1<br/>         3. DRAIN, #2<br/>         4. DRAIN, #2<br/>         5. GATE, #2<br/>         6. SOURCE, #2<br/>         7. GATE, #1<br/>         8. SOURCE, #1</p>                            | <p>STYLE 4:<br/>         PIN 1. ANODE<br/>         2. ANODE<br/>         3. ANODE<br/>         4. ANODE<br/>         5. ANODE<br/>         6. ANODE<br/>         7. ANODE<br/>         8. COMMON CATHODE</p>                                                                           |
| <p>STYLE 5:<br/>         PIN 1. DRAIN<br/>         2. DRAIN<br/>         3. DRAIN<br/>         4. DRAIN<br/>         5. GATE<br/>         6. GATE<br/>         7. SOURCE<br/>         8. SOURCE</p>                                                                               | <p>STYLE 6:<br/>         PIN 1. SOURCE<br/>         2. DRAIN<br/>         3. DRAIN<br/>         4. SOURCE<br/>         5. SOURCE<br/>         6. GATE<br/>         7. GATE<br/>         8. SOURCE</p>                                                                    | <p>STYLE 7:<br/>         PIN 1. INPUT<br/>         2. EXTERNAL BYPASS<br/>         3. THIRD STAGE SOURCE<br/>         4. GROUND<br/>         5. DRAIN<br/>         6. GATE 3<br/>         7. SECOND STAGE Vd<br/>         8. FIRST STAGE Vd</p>                    | <p>STYLE 8:<br/>         PIN 1. COLLECTOR, DIE #1<br/>         2. BASE, #1<br/>         3. BASE, #2<br/>         4. COLLECTOR, #2<br/>         5. COLLECTOR, #2<br/>         6. EMITTER, #2<br/>         7. EMITTER, #1<br/>         8. COLLECTOR, #1</p>                              |
| <p>STYLE 9:<br/>         PIN 1. EMITTER, COMMON<br/>         2. COLLECTOR, DIE #1<br/>         3. COLLECTOR, DIE #2<br/>         4. EMITTER, COMMON<br/>         5. EMITTER, COMMON<br/>         6. BASE, DIE #2<br/>         7. BASE, DIE #1<br/>         8. EMITTER, COMMON</p> | <p>STYLE 10:<br/>         PIN 1. GROUND<br/>         2. BIAS 1<br/>         3. OUTPUT<br/>         4. GROUND<br/>         5. GROUND<br/>         6. BIAS 2<br/>         7. INPUT<br/>         8. GROUND</p>                                                              | <p>STYLE 11:<br/>         PIN 1. SOURCE 1<br/>         2. GATE 1<br/>         3. SOURCE 2<br/>         4. GATE 2<br/>         5. DRAIN 2<br/>         6. DRAIN 2<br/>         7. DRAIN 1<br/>         8. DRAIN 1</p>                                               | <p>STYLE 12:<br/>         PIN 1. SOURCE<br/>         2. SOURCE<br/>         3. SOURCE<br/>         4. GATE<br/>         5. DRAIN<br/>         6. DRAIN<br/>         7. DRAIN<br/>         8. DRAIN</p>                                                                                 |
| <p>STYLE 13:<br/>         PIN 1. N.C.<br/>         2. SOURCE<br/>         3. SOURCE<br/>         4. GATE<br/>         5. DRAIN<br/>         6. DRAIN<br/>         7. DRAIN<br/>         8. DRAIN</p>                                                                              | <p>STYLE 14:<br/>         PIN 1. N-SOURCE<br/>         2. N-GATE<br/>         3. P-SOURCE<br/>         4. P-GATE<br/>         5. P-DRAIN<br/>         6. P-DRAIN<br/>         7. N-DRAIN<br/>         8. N-DRAIN</p>                                                     | <p>STYLE 15:<br/>         PIN 1. ANODE 1<br/>         2. ANODE 1<br/>         3. ANODE 1<br/>         4. ANODE 1<br/>         5. CATHODE, COMMON<br/>         6. CATHODE, COMMON<br/>         7. CATHODE, COMMON<br/>         8. CATHODE, COMMON</p>               | <p>STYLE 16:<br/>         PIN 1. EMITTER, DIE #1<br/>         2. BASE, DIE #1<br/>         3. EMITTER, DIE #2<br/>         4. BASE, DIE #2<br/>         5. COLLECTOR, DIE #2<br/>         6. COLLECTOR, DIE #2<br/>         7. COLLECTOR, DIE #1<br/>         8. COLLECTOR, DIE #1</p> |
| <p>STYLE 17:<br/>         PIN 1. VCC<br/>         2. V2OUT<br/>         3. V1OUT<br/>         4. TXE<br/>         5. RXE<br/>         6. VEE<br/>         7. GND<br/>         8. ACC</p>                                                                                          | <p>STYLE 18:<br/>         PIN 1. ANODE<br/>         2. ANODE<br/>         3. SOURCE<br/>         4. GATE<br/>         5. DRAIN<br/>         6. DRAIN<br/>         7. CATHODE<br/>         8. CATHODE</p>                                                                 | <p>STYLE 19:<br/>         PIN 1. SOURCE 1<br/>         2. GATE 1<br/>         3. SOURCE 2<br/>         4. GATE 2<br/>         5. DRAIN 2<br/>         6. MIRROR 2<br/>         7. DRAIN 1<br/>         8. MIRROR 1</p>                                             | <p>STYLE 20:<br/>         PIN 1. SOURCE (N)<br/>         2. GATE (N)<br/>         3. SOURCE (P)<br/>         4. GATE (P)<br/>         5. DRAIN<br/>         6. DRAIN<br/>         7. DRAIN<br/>         8. DRAIN</p>                                                                   |
| <p>STYLE 21:<br/>         PIN 1. CATHODE 1<br/>         2. CATHODE 2<br/>         3. CATHODE 3<br/>         4. CATHODE 4<br/>         5. CATHODE 5<br/>         6. COMMON ANODE<br/>         7. COMMON ANODE<br/>         8. CATHODE 6</p>                                        | <p>STYLE 22:<br/>         PIN 1. I/O LINE 1<br/>         2. COMMON CATHODE/VCC<br/>         3. COMMON CATHODE/VCC<br/>         4. I/O LINE 3<br/>         5. COMMON ANODE/GND<br/>         6. I/O LINE 4<br/>         7. I/O LINE 5<br/>         8. COMMON ANODE/GND</p> | <p>STYLE 23:<br/>         PIN 1. LINE 1 IN<br/>         2. COMMON ANODE/GND<br/>         3. COMMON ANODE/GND<br/>         4. LINE 2 IN<br/>         5. LINE 2 OUT<br/>         6. COMMON ANODE/GND<br/>         7. COMMON ANODE/GND<br/>         8. LINE 1 OUT</p> | <p>STYLE 24:<br/>         PIN 1. BASE<br/>         2. EMITTER<br/>         3. COLLECTOR/ANODE<br/>         4. COLLECTOR/ANODE<br/>         5. CATHODE<br/>         6. CATHODE<br/>         7. COLLECTOR/ANODE<br/>         8. COLLECTOR/ANODE</p>                                      |
| <p>STYLE 25:<br/>         PIN 1. VIN<br/>         2. N/C<br/>         3. REXT<br/>         4. GND<br/>         5. IOUT<br/>         6. IOUT<br/>         7. IOUT<br/>         8. IOUT</p>                                                                                         | <p>STYLE 26:<br/>         PIN 1. GND<br/>         2. dv/dt<br/>         3. ENABLE<br/>         4. ILIMIT<br/>         5. SOURCE<br/>         6. SOURCE<br/>         7. SOURCE<br/>         8. VCC</p>                                                                    | <p>STYLE 27:<br/>         PIN 1. ILIMIT<br/>         2. OVLO<br/>         3. UVLO<br/>         4. INPUT+<br/>         5. SOURCE<br/>         6. SOURCE<br/>         7. SOURCE<br/>         8. DRAIN</p>                                                            | <p>STYLE 28:<br/>         PIN 1. SW_TO_GND<br/>         2. DASIC_OFF<br/>         3. DASIC_SW_DET<br/>         4. GND<br/>         5. V_MON<br/>         6. VBULK<br/>         7. VBULK<br/>         8. VIN</p>                                                                        |
| <p>STYLE 29:<br/>         PIN 1. BASE, DIE #1<br/>         2. EMITTER, #1<br/>         3. BASE, #2<br/>         4. EMITTER, #2<br/>         5. COLLECTOR, #2<br/>         6. COLLECTOR, #2<br/>         7. COLLECTOR, #1<br/>         8. COLLECTOR, #1</p>                        | <p>STYLE 30:<br/>         PIN 1. DRAIN 1<br/>         2. DRAIN 1<br/>         3. GATE 2<br/>         4. SOURCE 2<br/>         5. SOURCE 1/DRAIN 2<br/>         6. SOURCE 1/DRAIN 2<br/>         7. SOURCE 1/DRAIN 2<br/>         8. GATE 1</p>                           |                                                                                                                                                                                                                                                                    |                                                                                                                                                                                                                                                                                        |

|                         |                    |                                                                                                                                                                                     |
|-------------------------|--------------------|-------------------------------------------------------------------------------------------------------------------------------------------------------------------------------------|
| <b>DOCUMENT NUMBER:</b> | <b>98ASB42564B</b> | Electronic versions are uncontrolled except when accessed directly from the Document Repository.<br>Printed versions are uncontrolled except when stamped "CONTROLLED COPY" in red. |
| <b>DESCRIPTION:</b>     | <b>SOIC-8 NB</b>   | <b>PAGE 2 OF 2</b>                                                                                                                                                                  |

**onsemi** and **ONSEMI** are trademarks of Semiconductor Components Industries, LLC dba **onsemi** or its subsidiaries in the United States and/or other countries. **onsemi** reserves the right to make changes without further notice to any products herein. **onsemi** makes no warranty, representation or guarantee regarding the suitability of its products for any particular purpose, nor does **onsemi** assume any liability arising out of the application or use of any product or circuit, and specifically disclaims any and all liability, including without limitation special, consequential or incidental damages. **onsemi** does not convey any license under its patent rights nor the rights of others.

**onsemi**, **Onsemi**, and other names, marks, and brands are registered and/or common law trademarks of Semiconductor Components Industries, LLC dba "**onsemi**" or its affiliates and/or subsidiaries in the United States and/or other countries. **onsemi** owns the rights to a number of patents, trademarks, copyrights, trade secrets, and other intellectual property. A listing of **onsemi**'s product/patent coverage may be accessed at [www.onsemi.com/site/pdf/Patent-Marking.pdf](http://www.onsemi.com/site/pdf/Patent-Marking.pdf). **onsemi** reserves the right to make changes at any time to any products or information herein, without notice. The information herein is provided "as-is" and **onsemi** makes no warranty, representation or guarantee regarding the accuracy of the information, product features, availability, functionality, or suitability of its products for any particular purpose, nor does **onsemi** assume any liability arising out of the application or use of any product or circuit, and specifically disclaims any and all liability, including without limitation special, consequential or incidental damages. Buyer is responsible for its products and applications using **onsemi** products, including compliance with all laws, regulations and safety requirements or standards, regardless of any support or applications information provided by **onsemi**. "Typical" parameters which may be provided in **onsemi** data sheets and/or specifications can and do vary in different applications and actual performance may vary over time. All operating parameters, including "Typicals" must be validated for each customer application by customer's technical experts. **onsemi** does not convey any license under any of its intellectual property rights nor the rights of others. **onsemi** products are not designed, intended, or authorized for use as a critical component in life support systems or any FDA Class 3 medical devices or medical devices with a same or similar classification in a foreign jurisdiction or any devices intended for implantation in the human body. Should Buyer purchase or use **onsemi** products for any such unintended or unauthorized application, Buyer shall indemnify and hold **onsemi** and its officers, employees, subsidiaries, affiliates, and distributors harmless against all claims, costs, damages, and expenses, and reasonable attorney fees arising out of, directly or indirectly, any claim of personal injury or death associated with such unintended or unauthorized use, even if such claim alleges that **onsemi** was negligent regarding the design or manufacture of the part. **onsemi** is an Equal Opportunity/Affirmative Action Employer. This literature is subject to all applicable copyright laws and is not for resale in any manner.

## ADDITIONAL INFORMATION

### TECHNICAL PUBLICATIONS:

Technical Library: [www.onsemi.com/design/resources/technical-documentation](http://www.onsemi.com/design/resources/technical-documentation)  
onsemi Website: [www.onsemi.com](http://www.onsemi.com)

### ONLINE SUPPORT: [www.onsemi.com/support](http://www.onsemi.com/support)

For additional information, please contact your local Sales Representative at [www.onsemi.com/support/sales](http://www.onsemi.com/support/sales)

