

Zero Temperature Coefficient Current Reference

Description

The HX11BB is a zero temperature coefficient (ZTC) current reference that provides temperature independent currents. Suitable for environments up to 125°C, the HX11BB has both current sink and current sources.

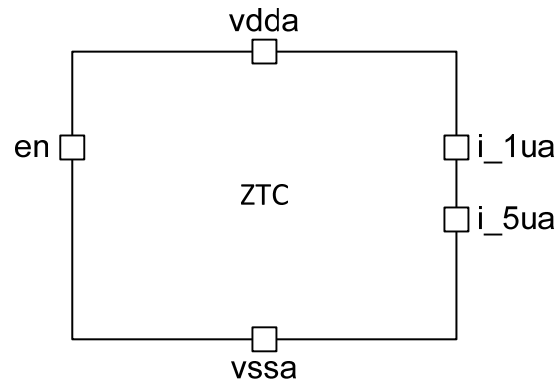
Features

- 153 ppm/°C temperature coefficient
- 3.3V analog supply
- Extended temperature range: -40°C to 125°C
- Dimensions: 148um x 80um (0.012mm²)

Applications

- General current reference

Block Diagram



Specifications

| Parameter | Conditions | Min | Typ | Max | Unit |
|---------------------------------|----------------|------|-----|------|--------|
| Analog Supply Voltage | ±10% | 2.97 | 3.3 | 3.63 | V |
| Temperature Range | | -40 | 27 | 125 | °C |
| Current References | Current Source | | 1 | | uA |
| | Current Sink | | 5 | | uA |
| Current Temperature Coefficient | | | 153 | | ppm/°C |

For more information about all of products, please visit our website at
www.hexiussemi.com