

ON Semiconductor

Is Now

The logo for onsemi, featuring the word "onsemi" in a dark teal, lowercase, sans-serif font. The letter "i" is stylized with a white dot and a teal vertical bar. A small orange triangle is positioned above the top right of the "i". A trademark symbol (TM) is located to the right of the logo.

To learn more about onsemi™, please visit our website at
www.onsemi.com

onsemi and **onsemi** and other names, marks, and brands are registered and/or common law trademarks of Semiconductor Components Industries, LLC dba "**onsemi**" or its affiliates and/or subsidiaries in the United States and/or other countries. **onsemi** owns the rights to a number of patents, trademarks, copyrights, trade secrets, and other intellectual property. A listing of **onsemi** product/patent coverage may be accessed at www.onsemi.com/site/pdf/Patent-Marking.pdf. **onsemi** reserves the right to make changes at any time to any products or information herein, without notice. The information herein is provided "as-is" and **onsemi** makes no warranty, representation or guarantee regarding the accuracy of the information, product features, availability, functionality, or suitability of its products for any particular purpose, nor does **onsemi** assume any liability arising out of the application or use of any product or circuit, and specifically disclaims any and all liability, including without limitation special, consequential or incidental damages. Buyer is responsible for its products and applications using **onsemi** products, including compliance with all laws, regulations and safety requirements or standards, regardless of any support or applications information provided by **onsemi**. "Typical" parameters which may be provided in **onsemi** data sheets and/or specifications can and do vary in different applications and actual performance may vary over time. All operating parameters, including "Typicals" must be validated for each customer application by customer's technical experts. **onsemi** does not convey any license under any of its intellectual property rights nor the rights of others. **onsemi** products are not designed, intended, or authorized for use as a critical component in life support systems or any FDA Class 3 medical devices or medical devices with a same or similar classification in a foreign jurisdiction or any devices intended for implantation in the human body. Should Buyer purchase or use **onsemi** products for any such unintended or unauthorized application, Buyer shall indemnify and hold **onsemi** and its officers, employees, subsidiaries, affiliates, and distributors harmless against all claims, costs, damages, and expenses, and reasonable attorney fees arising out of, directly or indirectly, any claim of personal injury or death associated with such unintended or unauthorized use, even if such claim alleges that **onsemi** was negligent regarding the design or manufacture of the part. **onsemi** is an Equal Opportunity/Affirmative Action Employer. This literature is subject to all applicable copyright laws and is not for resale in any manner. Other names and brands may be claimed as the property of others.

TND6319/D

PTC IGBT Driver Reference Design



ON Semiconductor®

www.onsemi.com

REFERENCE DESIGN

Introduction

This document is the entry point to the reference documentation of PTC heater discrete IGBT driver board evaluation platform, version 1.0.1.

The evaluation platform is for thermal performance evaluation that provides developers with the tools and test data needed to build applications that drive PTC based on high current isolated driver and IGBT from On Semiconductor.

This documentation focuses on the output voltage and current adjustment through high side and low side IGBT, and would help user to setup different variables, such as voltage, to get the wanted current and get the wanted test condition. Finally, it will help customer better understand isolated driver and IGBT performance by tested data and curve.

SPECIFICATION

Device Series	Application	Input Voltage	Output Power	Topology	I/O Isolation
NCV57000 / FGH40T65SP_F085 / NCV8871X / NCV2700X	PTC heater / /Auto / Industry	200 Vdc ~ 400 Vdc	1.8 kW	High/low side driver Isolated Power supply	Yes

OTHER SPECIFICATION

Output Voltage	Max 380 Vdc (Depends on IGBT)
Max Current	40 Arms
Minimum Efficiency	Depend on the PTC system
Operating Temp. Range	-10 – 125 °C
Cooling Method	Air conditioning water circulation system
Signal Level Control	GPIO / PWM

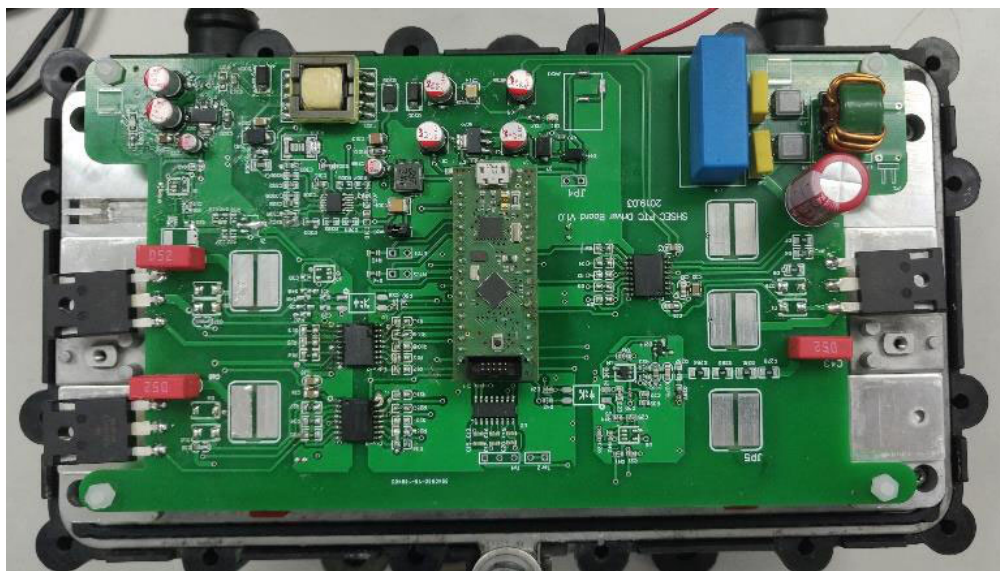


Figure 1. PTC Platform

TND6319/D

The system diagram is in Figure 2. The key elements of the EVB are marked in the color blocks.

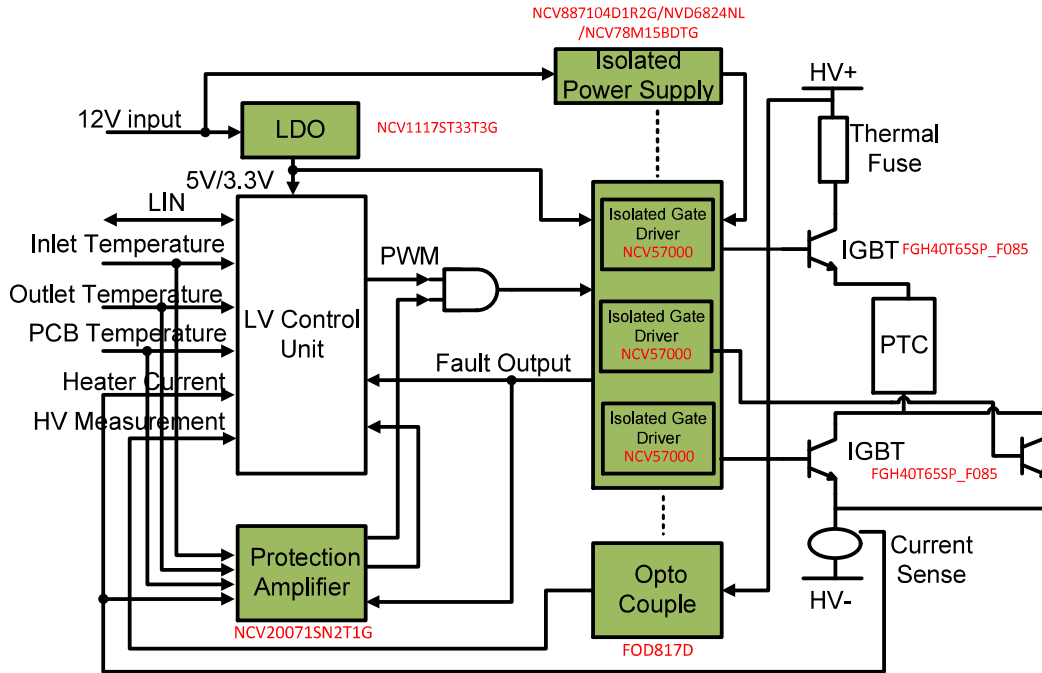


Figure 2. System Diagram of PTC Heater Driver Board

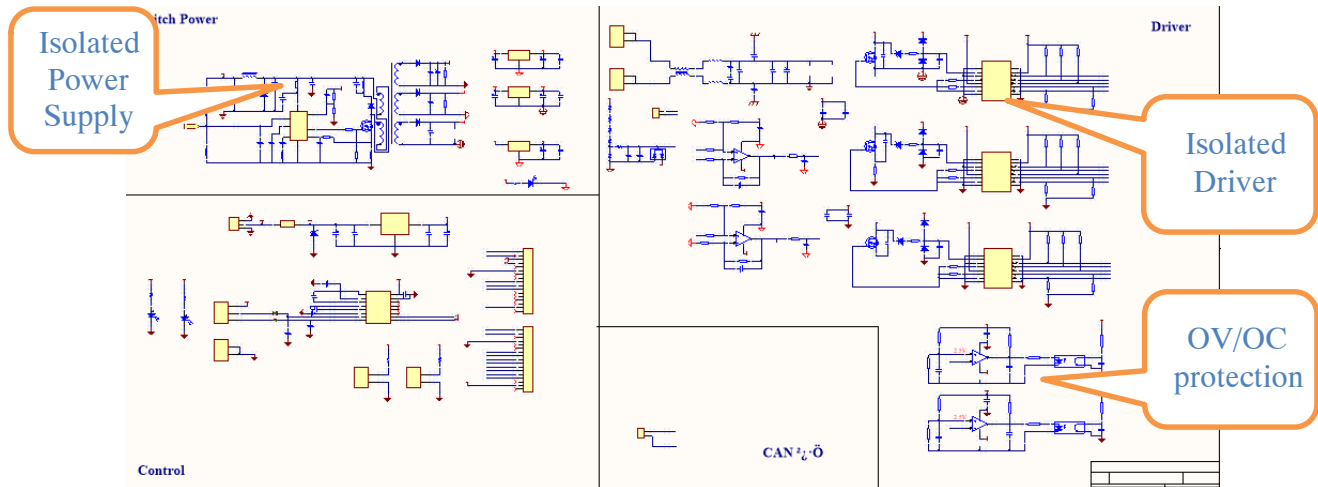


Figure 3. System Schematic Diagram of the PTC Heater Driver Board

Overview

This note will address the following topics 1) explanation of circuit 2) explanation of software and 3) thermal test

result. The complete bill of materials and schematics are also included.

TND6319/D

CIRCUIT DESCRIPTION

1) PTC driver board is made of a set of components that are isolated to provide a reliable working condition based on high–low power system.

- High–current single channel IGBT driver with internal galvanic isolation, designed for high system efficiency and reliability in high power applications
- Two phases output, flexible switch frequency: 100 Hz~16 kHz
- Low Saturation Voltage using Trench IGBT with Field stop Technology

- Below 500 V battery system
- Key components support AEC–Q100/101
- Rail–to–rail output operation, 3 MHz bandwidth high speed Op–Amp
- Adjustable output non–synchronous boost controller which drives an external N–channel MOSFET
- Easy for customer to qualify and evaluate whole performance

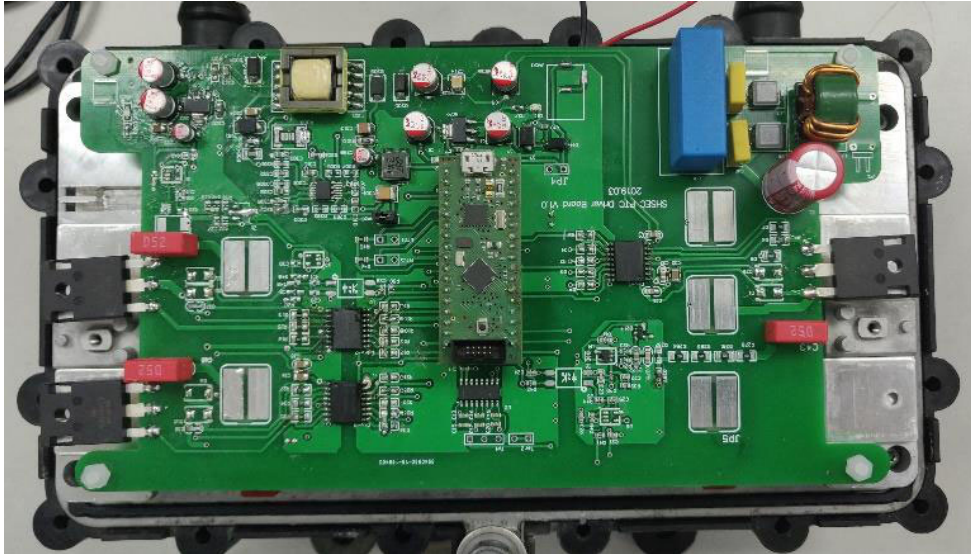


Figure 4. Driver Board

PTC Heater Module

- Input Max Power 1200 W
- Appearance Size 242 mm × 132 mm × 65 mm

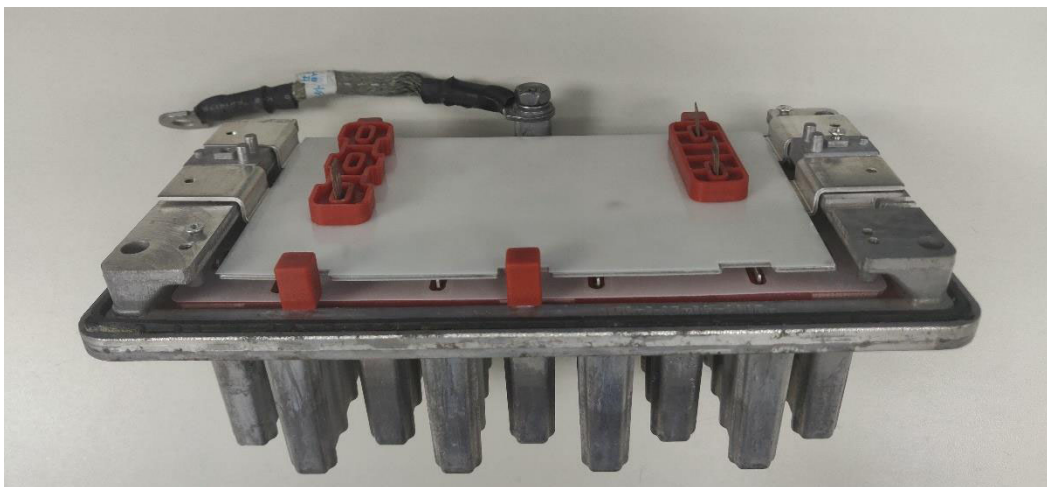


Figure 5. PTC Heater

TND6319/D

1.2 kW DC Source

- Voltage output range: 0 – 600V
- Current output range: 0 – 8A
- Accurate Voltage and Current Measurement



Figure 6. DC Source

Isolated High Current and High Efficiency IGBT Gate Driver NCV57000

- High Current Output(+4/-6 A) at IGBT Miller Plateau Voltages
- Short Propagation Delays with Accurate Matching
- DESAT with Soft Turn Off
- Active Miller Clamp and Negative Gate Voltage
- 5 kV Galvanic Isolation
- AEC qualified

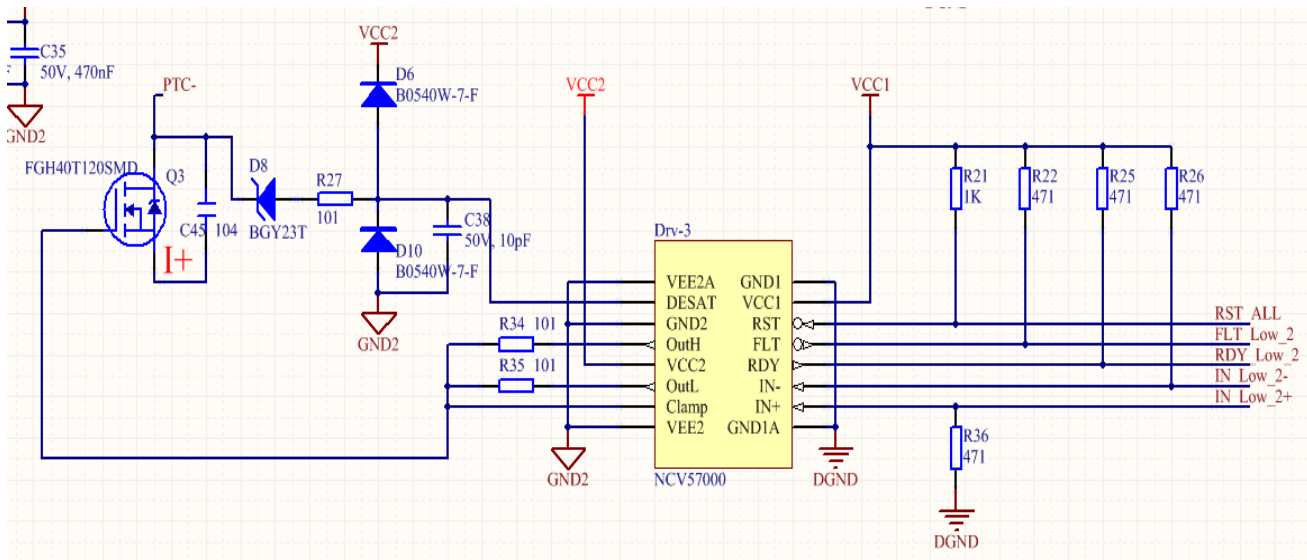


Figure 7. NCV57000 Driver Diagram

TND6319/D

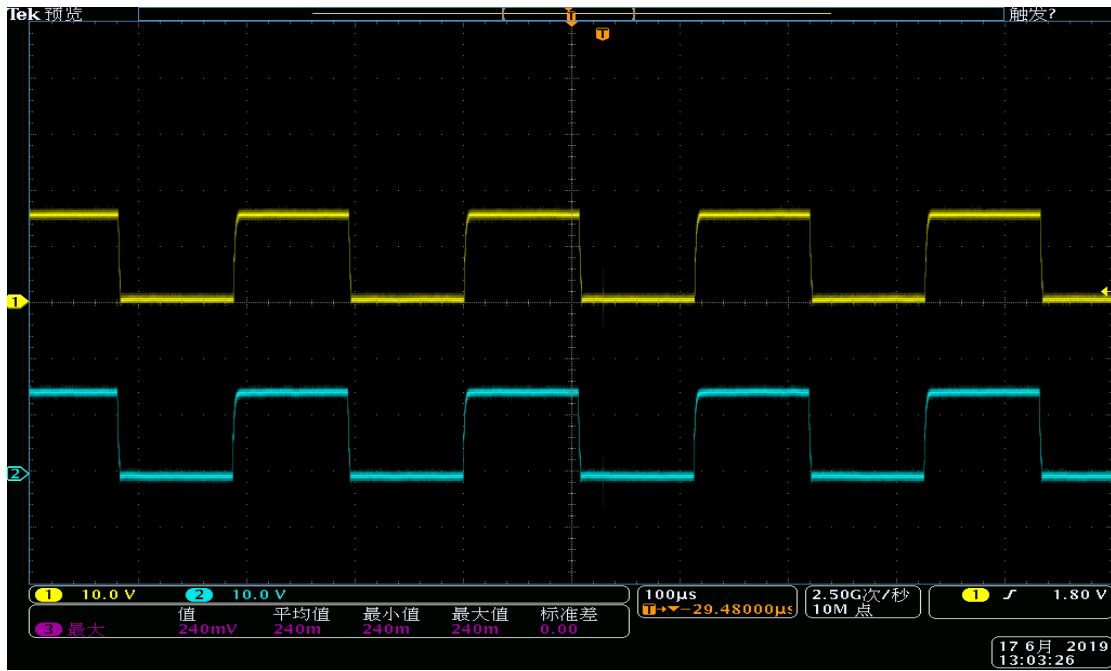


Figure 8. Input Waveform and Output Waveform

Non-Synchronous Boost Controller, Automotive Grade NCV887100D1R2G

- Peak Current Mode Control with Internal Slope Compensation
- 1.2 V 2% Reference voltage
- Wide Input Voltage Range of 3.2 V to 40 Vdc, 45 V Load Dump
- Input under-voltage lockout (UVLO)
- Internal Soft-Start
- Low quiescent current in sleep mode
- Cycle-by-cycle current limit protection
- Hiccup-mode short-circuit protection (SCP)
- Thermal shutdown (TSD)

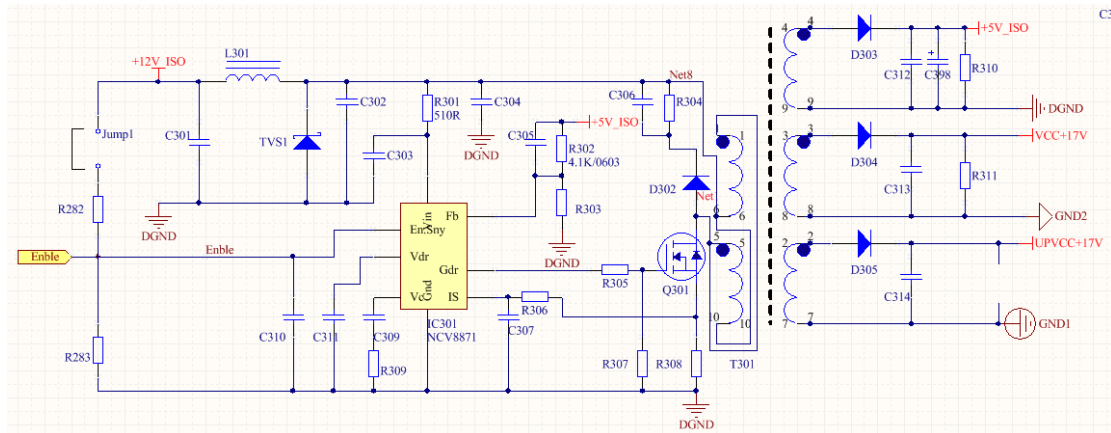


Figure 9. NCV8871 Boost Diagram

TND6319/D

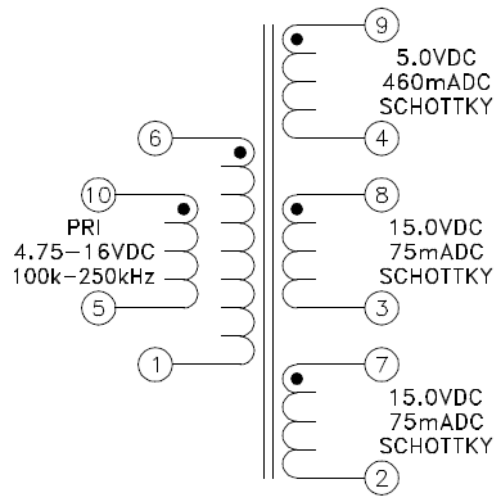


Figure 10. Transform Input/Output Capability

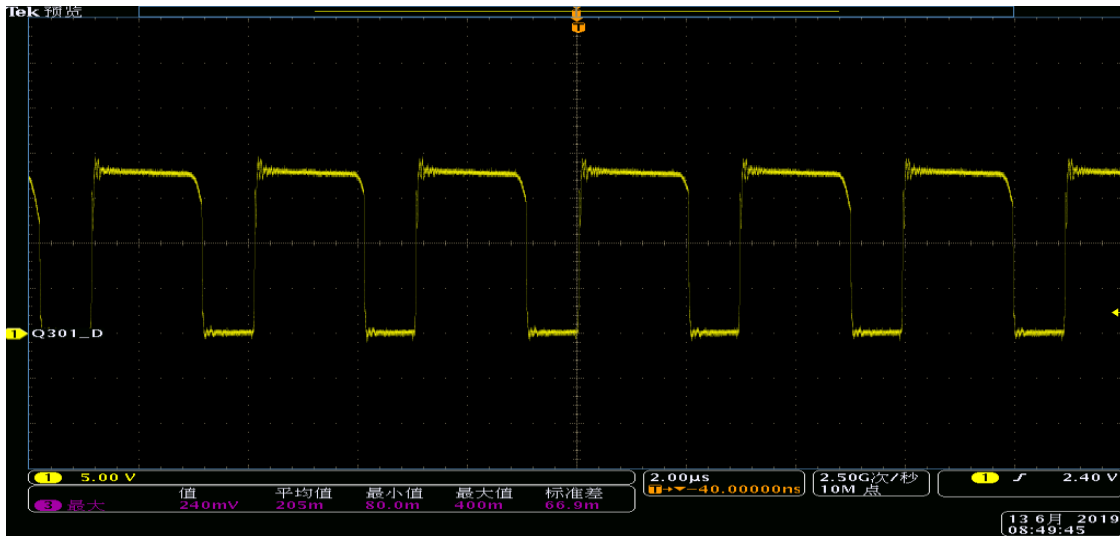


Figure 11. Drain-Source Voltage of Mos

Operational Amplifier NCV20071SN2T1G

- QR Frequency Jittering to Reduces EMI Signature
- New Quiet-Skip Technology Ensures Operation Outside Audible Range
- Integrated HV Startup with Brownout Protection Provides an efficient power-on source and protects against drops in input mains voltage
- Valley Switching Operation with Valley Lockout. Maximizing the efficiency over the entire power range
- Integrated X2 Capacitor Discharge Capability Eliminates the need for a X2 resistors
- NTC Compatible Fault Pin Extra protection against high temperature or other fault conditions
- High Drive Capability: -500 mA / +800 mA Enables faster switching of primary-side MOSFET
- Latch input for OVP and OTP implementations Simple implementation of required protection functions

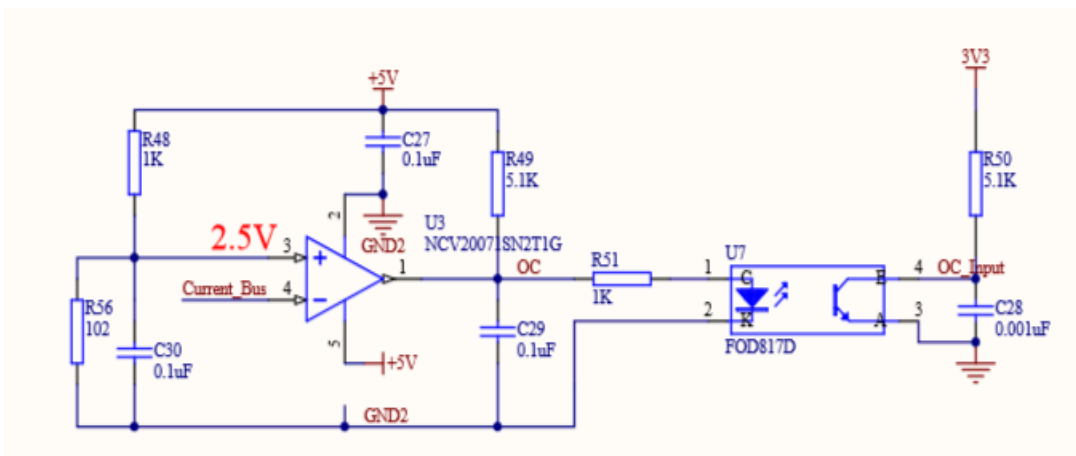


Figure 12. Operational Amplifier

2) Another key element of the evaluation board is to simulate and realize the driver algorithm. At least it needs 3

GPIOs or PWM port to driver one high side IGBT and two low side IGBT.

```

Project Explorer | main.cpp | NCV70517_Str.cpp | Schede.cpp
> AMIS30543D_Str
> AMIS30543D_Str_test1
> Copy of AMIS30543D_Str_test
> Copy of PWMOUT
> LV8907_BLDC
> LV8907_BLDC-1
> NHD_C0216CZ_Lcd
> PAS_Test1
> PWMOUT
> SPI-PTC

12
13
14 AMIS30543D stepper (MOTOR2);
15 uint8_t Date;
16 @ /*
17 DigitalIn MCU_IN_Sensor1(p15);
18 DigitalIn MCU_IN_Sensor2(p4);
19 DigitalOut MCU_OUT_Sensor1(p14);
20 DigitalOut MCU_OUT_Sensor2(p6);
21 DigitalOut MCU_OUT_LED1(p5);
22 DigitalOut MCU_OUT_LED2(p16);
23 DigitalOut MCU_OUT_BELL(p7);
24 */
25 DigitalOut SPI_CS_PIN(p14);
26 AnalogIn ADC(A2);
27 PwmOut pin(p7);
28
29
30
31
    
```

Figure 13. First Step: Define GPIOs, PWM Output and ADC Input

```

Project Explorer | main.cpp | NCV70517_Str.cpp | Schede.cpp
> AMIS30543D_Str
> AMIS30543D_Str_test1
> Copy of AMIS30543D_Str_test
> Copy of PWMOUT
> LV8907_BLDC
> LV8907_BLDC-1
> NHD_C0216CZ_Lcd
> PAS_Test1
> PWMOUT
> SPI-PTC

87 Result1 = (Result & 0x80)>>7;
88 /*
89
90 SPI_CS_PIN.write(0);
91 wait_us(10);
92 ret = stepper.spiReadSRx(SR_SR1, &regVal_SR, &ErrCondition);
93 wait_us(10);
94 SPI_CS_PIN.write(1);
95 wait_us(10);
96 SPI_CS_PIN.write(0);
97 ret = Stepper.spiWriteCRx(CR_CR1, 0x008A); //
98 SPI_CS_PIN.write(1);
99
100 //gwm
101 pin.write(0.80); //50% duty cycle( 0 to 1)
102 pin.period_ms(128);
103 ret = pin.read();
104 // pin.pulsewidth_ms(50);
105
106 while(1)
107 {
108     wait(0.2);
109     pc.printf("ret : ret = 0x%02x, \r\n", ret);
110
111     //main_fun();
112     //Task_100ms_Action();
113     //
    
```

Figure 14. Second Step: Detect Heatsink Temperature by Reading ADC Data

TND6319/D

TEST RESULT

- 3) Thermal results
- Input Max Voltage: 100 Vdc ~ 320 Vdc
- Switching frequency: 16 kHz
- Control battery input: 12 Vdc
- $T_j \leq 150^\circ\text{C}$

- $T_a: 25^\circ\text{C}$
- Output Power: 1.2 kW
- Heater water container volume: 3 L
- Water pump model: DKB80A-12
12 VDC, 30 L/Min, 80 W



Figure 15. Pump



Figure 16. Multiple Temperature Data Recorder

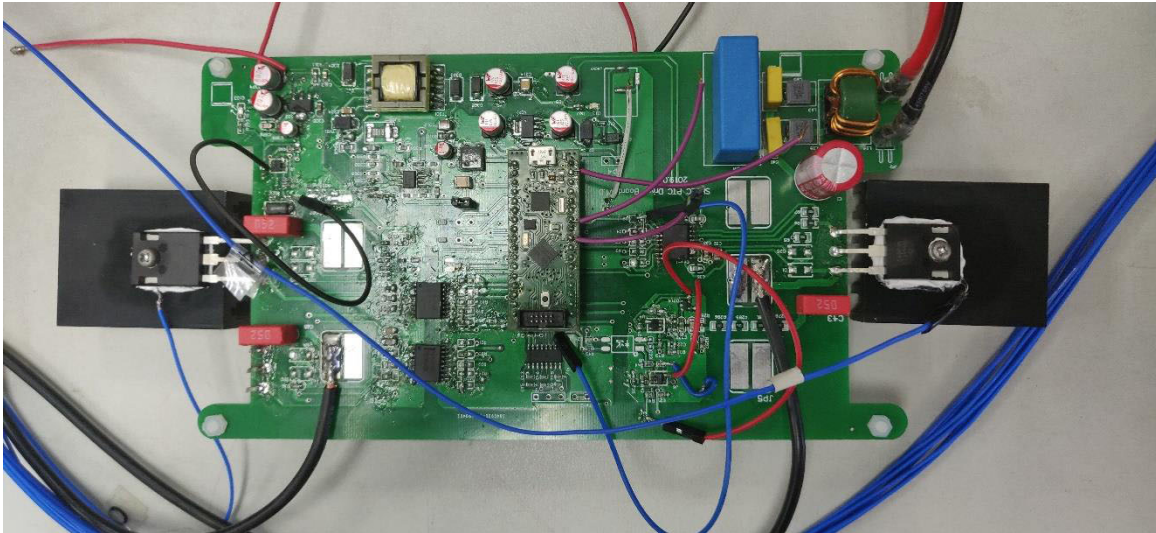


Figure 17. Key Temperature Detect Point: High Side IGBT / Low Side IGBT / PTC Heatsink

TND6319/D

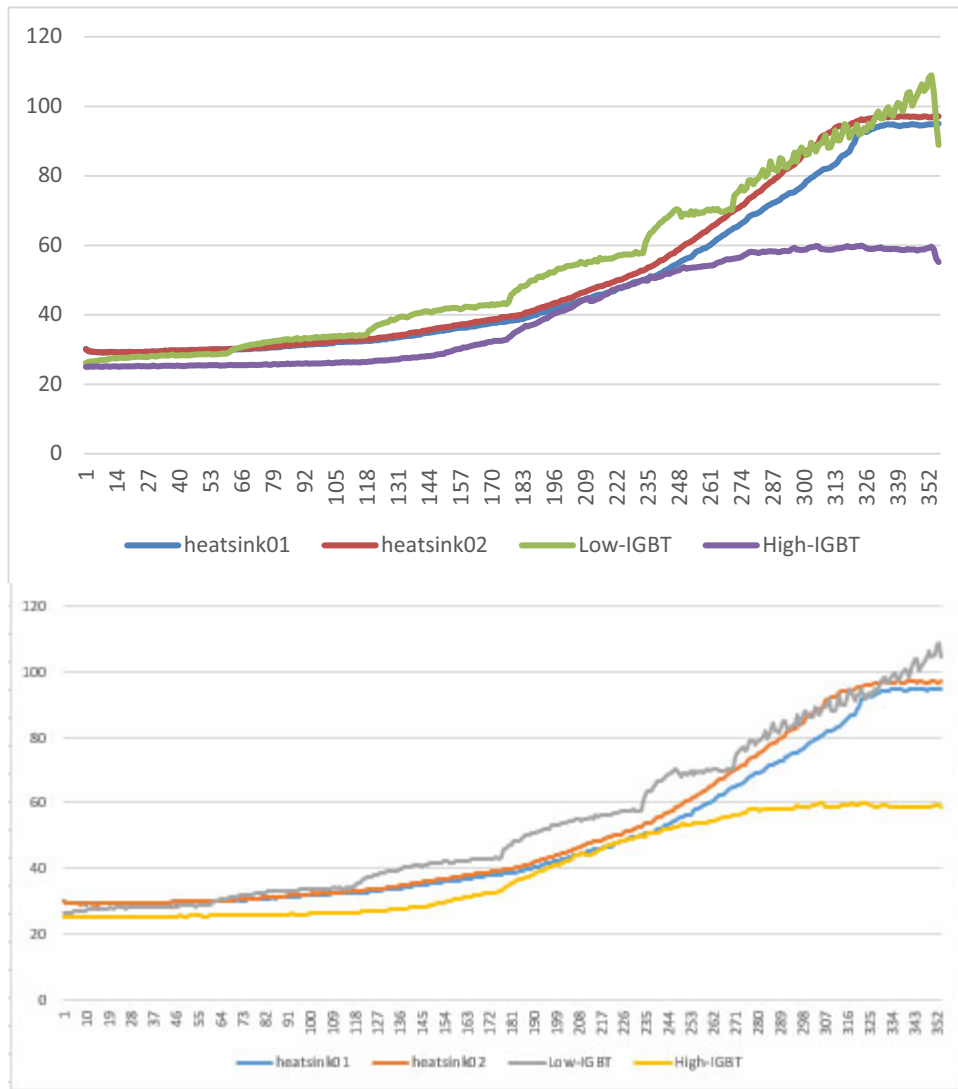


Figure 18. Temperature Waveform from Low Power to High Power

1	heatsink01	heatsink02	Low-IGBT	High-IGBT	31	29.4	29.4	28	25.2
2	30.2	30	26.1	25	32	29.4	29.4	28.1	25.1
3	29.7	29.6	26.4	25	33	29.6	29.5	28.3	25.2
4	29.4	29.5	26.5	25.1	34	29.6	29.6	28.3	25.3
5	29.4	29.4	26.5	25	35	29.5	29.7	28.3	25.3
6	29.3	29.3	26.7	25.1	36	29.5	29.6	28.2	25.3
7	29.2	29.3	26.7	25.1	37	29.7	29.7	28.4	25.3
8	29.2	29.3	27	25	38	29.5	29.7	28.5	25.3
9	29.2	29.1	26.9	25	39	29.7	29.7	28.3	25.2
10	29.2	29.2	27.1	25.1	40	29.5	29.7	28.3	25.4
11	29.1	29.3	27.1	25.1	41	29.7	29.6	28.3	25.3
12	29.3	29.3	27.3	25	42	29.7	29.7	28.4	25.2
13	29.3	29.4	27.4	25.1	43	29.5	29.7	28.4	25.2
14	29.3	29.1	27.4	25.1	44	29.7	29.7	28.3	25.3
15	29.3	29.2	27.4	25.1	45	29.7	29.7	28.4	25.4
16	29.1	29.1	27.6	25	46	29.9	29.8	28.4	25.4
17	29.2	29.3	27.6	25.1	47	29.8	29.7	28.5	25.4
18	29.3	29.3	27.5	25.1	48	29.7	29.8	28.5	25.4
19	29.2	29.3	27.6	25.1	49	29.8	29.9	28.6	25.5
20	29.4	29.3	27.6	25.1	50	29.8	29.9	28.6	25.4
21	29.3	29.3	27.9	25.1	51	29.9	29.9	28.6	25.4
22	29.3	29.3	27.8	25.1	52	29.8	29.9	28.6	25.4
23	29.3	29.2	27.9	25.2	53	29.9	30	28.7	25.5
24	29.3	29.3	28	25.3	54	29.9	30	28.6	25.5
25	29.3	29.3	27.9	25.1	55	30.1	30	28.5	25.5
26	29.3	29.3	27.9	25.2	56	30	30	28.6	25.5
27	29.4	29.4	27.8	25.1	57	30	30.1	28.6	25.5
28	29.4	29.3	27.9	25.1	58	30	30	28.7	25.3
29	29.4	29.4	28.1	25.1	59	30	30	28.9	25.4
30	29.5	29.5	28.1	25.4	60	30	30	28.7	25.4

TND6319/D

61	30	30.1	28.9	25.5	91	31.2	31.5	32.8	26
62	30	30.2	29.4	25.6	92	31.4	31.7	33.1	25.9
63	29.9	30.2	29.9	25.5	93	31.2	31.7	33.3	26
64	30	30.2	30.1	25.5	94	31.4	31.8	33.2	26.1
65	30	30.1	30.4	25.5	95	31.4	31.8	33.1	25.9
66	30.1	30.2	30.5	25.5	96	31.5	31.9	33.3	26
67	30	30.3	30.7	25.5	97	31.5	31.8	33.4	26
68	30.1	30.3	30.9	25.5	98	31.7	31.8	33.6	26
69	30.1	30.3	31	25.5	99	31.6	32	33.4	26
70	30.1	30.3	31.2	25.6	100	31.6	32	33.5	26
71	30.2	30.5	31.4	25.6	101	31.6	32.1	33.7	26.1
72	30.4	30.4	31.4	25.6	102	31.6	32.2	33.5	26.1
73	30.3	30.6	31.6	25.5	103	31.9	32.2	33.7	26.2
74	30.3	30.5	31.7	25.6	104	31.8	32.1	33.7	26.1
75	30.3	30.7	31.7	25.6	105	31.9	32.2	33.8	26.1
76	30.4	30.7	32	25.7	106	32.1	32.5	33.8	26.2
77	30.4	30.7	32	25.8	107	32.1	32.5	33.8	26.2
78	30.5	30.7	32.1	25.6	108	32.1	32.7	34	26.2
79	30.6	30.8	32.2	25.6	109	32.1	32.6	33.8	26.4
80	30.6	30.8	32.4	25.8	110	32.2	32.6	33.8	26.2
81	30.6	30.9	32.5	25.8	111	32.2	32.7	34.1	26.4
82	30.7	31	32.6	25.7	112	32.2	32.6	34	26.2
83	30.7	31	32.5	25.8	113	32.3	32.7	34.2	26.3
84	30.9	31.1	32.8	25.8	114	32.2	32.8	33.9	26.3
85	30.9	31.2	32.9	25.8	115	32.3	32.7	34	26.3
86	31	31.3	33	26	116	32.3	32.9	34.2	26.2
87	30.9	31.2	32.8	25.8	117	32.3	32.9	34	26.4
88	31.1	31.4	32.8	25.9	118	32.5	32.9	34.1	26.4
89	31.1	31.5	33.1	25.9	119	32.5	32.9	34.4	26.4
90	31.2	31.5	33.3	26	120	32.4	33.1	35.5	26.5
121	32.5	33.1	35.8	26.5	161	35.4	36.4	41.7	28.7
122	32.7	33.1	36.4	26.7	162	35.6	36.5	41.8	29.2
123	32.7	33.2	36.9	26.8	163	35.6	36.6	41.8	29.3
124	32.7	33.4	37.1	26.8	164	35.8	36.6	41.9	29.5
125	32.9	33.4	37.4	26.9	165	35.9	36.9	42	29.7
126	33	33.5	37.6	26.8	166	36.1	36.9	42	30
127	32.9	33.5	37.8	26.9	167	36.2	37	41.8	30.1
128	33.2	33.7	37.9	26.9	168	36.3	37.2	41.5	30.2
129	33.2	33.7	38.7	27.1	169	36.3	37.3	41.9	30.6
130	33.2	34	38.4	27.1	170	36.3	37.3	42.3	30.6
131	33.5	34	38.7	27.2	171	36.4	37.4	42.3	30.7
132	33.5	34.1	39.1	27.2	172	36.7	37.6	42.2	30.9
133	33.6	34.2	39.4	27.3	173	36.7	37.7	42.2	31.1
134	33.7	34.3	39.5	27.5	174	36.7	37.9	42	31.3
135	33.8	34.3	39.3	27.5	175	36.9	38	42.4	31.4
136	34	34.4	39.2	27.5	176	36.9	38	42.7	31.5
137	33.9	34.8	39.8	27.5	177	37.2	38.2	42.6	31.8
138	34	34.8	40	27.7	178	37.2	38.3	42.7	31.7
139	34.1	35	40.3	27.7	179	37.3	38.4	42.8	32
140	34.3	35	40.4	27.7	180	37.5	38.6	42.6	32.1
141	34.3	35	40.5	27.9	181	37.6	38.6	43.1	32.2
142	34.5	35.3	40.7	28	182	37.7	38.8	42.7	32.5
143	34.7	35.5	41	28	183	37.7	38.8	43	32.5
144	34.8	35.4	41	28.1	184	37.9	39	42.9	32.5
145	34.8	35.7	40.9	28.1	185	37.9	39.3	43.1	32.5
146	35	35.7	40.6	28.2	186	37.9	39.3	43.4	32.7
147	35	35.9	41.2	28.3	187	38	39.3	43	32.8
148	35.2	36.1	41.2	28.5	188	38.2	39.4	43.6	33.3
149	35.3	36.2	41.4	28.6	189	38.3	39.6	45.7	33.9
150	35.5	36.3	41.4	28.7	190	38.3	39.7	46.2	34.5
181	38.5	39.7	47	35.1	211	44.7	47	55.3	44.8
182	38.5	39.9	47.2	35.4	212	44.8	47.2	55.2	43.9
183	38.8	39.9	48.2	35.8	213	45.2	47.5	55.3	43.9
184	38.8	40.2	48.2	36.2	214	45.4	47.6	55.8	44.2
185	39.1	40.6	48.4	36.8	215	45.7	48.1	55.3	44.6
186	39.2	40.7	48.8	36.7	216	45.8	48.2	56.4	44.8
187	39.5	40.9	49.7	36.9	217	45.8	48.3	55.9	45.3
188	39.8	41.2	49.9	37.1	218	46.1	48.5	56.2	45.8
189	39.9	41.3	49.9	37.4	219	46.3	48.9	56.1	46
190	40.1	41.7	50.8	37.7	220	46.5	48.9	56.2	46.4
191	40.6	41.9	51	38.1	221	46.7	49.3	56.2	47.1
192	40.7	42.2	50.8	38.5	222	46.8	49.5	56.5	47.3
193	40.7	42.3	51.4	38.9	223	47.4	49.9	56.8	47.5
194	41.1	42.6	51.5	39	224	47.6	50	57.1	47.8
195	41.2	42.7	52.2	39.5	225	47.6	50.1	57.1	47.8
196	41.4	43	52.1	39.9	226	48.1	50.5	57.4	48.2
197	41.7	43.4	52.2	40.3	227	48.3	50.8	57.3	48.2
198	41.8	43.5	53	40.5	228	48.6	51.2	57.4	48.4
199	42.1	43.7	53.3	40.8	229	48.9	51.4	57.3	48.8
200	42.4	44.1	53.2	41.1	230	49.3	51.7	57.5	48.8
201	42.5	44.3	53.5	41.2	231	49.5	51.9	58.1	49.1
202	42.6	44.4	53.9	41.5	232	49.6	52.2	57.6	49.4
203	42.8	44.8	54.1	41.8	233	49.7	52.7	57.8	49.7
204	43	44.8	54.1	42	234	50	52.7	57.8	50
205	43.3	45.2	54.3	42.5	235	50.2	53.1	60.8	49.8
206	43.6	45.6	54.4	42.9	236	50.6	53.6	62.3	49.8
207	43.8	45.9	54.5	43.4	237	50.7	53.8	63.6	51.1
208	44.1	46.2	55.3	43.8	238	50.9	54.1	63.9	50.7
209	44.2	46.4	54.9	44.2	239	51.1	54.5	64.9	50.6
210	44.5	46.6	54.5	44.4	240	51.4	54.9	65.5	50.8

TND6319/D

241	51.9	55.6	66.4	50.9	271	64.6	69.6	70.2	56.1
242	52.1	55.6	66.8	51.2	272	65	70.1	74.3	56.2
243	52.7	56.1	67.6	51.8	273	65.2	70.5	75	56.3
244	53	56.7	67.9	51.8	274	65.7	70.8	75.6	56.4
245	53.4	57.2	68.6	51.8	275	66.3	71.4	76.9	56.7
246	53.9	57.6	69.2	52.2	276	66.7	71.7	75.7	57.1
247	54.3	57.8	70	52.4	277	67.3	72.5	76.4	57.5
248	54.5	58.5	70.4	52.7	278	68.2	73.3	78.7	57.9
249	55	58.8	70	52.8	279	68.6	73.8	78.8	58.1
250	55.5	59.4	68.2	53.3	280	68.9	74.2	77.6	58
251	55.8	60	69	53.7	281	69	74.9	78.9	57.9
252	56.2	60.4	69.1	53.2	282	69.4	75.3	79.2	57.8
253	56.4	60.7	68.7	53.4	283	69.7	75.6	80.3	57.9
254	56.6	61.1	69.8	53.5	284	70.4	76.4	81.7	58.2
255	57.3	61.5	68.7	53.6	285	70.9	77.1	79.7	58
256	58	62.1	69.7	53.6	286	71.4	77.5	80.6	58.2
257	58.4	62.6	69.1	53.8	287	71.8	78.2	84.2	58.3
258	58.6	63.1	69.5	53.8	288	72.1	78.5	82	58.2
259	59.1	63.7	69.4	54	289	72.4	79.2	81.8	58.2
260	59.1	63.8	69.9	54	290	72.7	79.6	81.4	58
261	59.7	64.5	70.3	54.1	291	73.1	80.3	85.1	58
262	60.1	65	69.9	54.2	292	73.8	80.9	84.8	58.3
263	60.7	65.6	70.5	54.2	293	74.2	81.9	82.5	58.4
264	61.2	65.9	70.1	54.5	294	74.5	82	82.4	58.3
265	61.8	66.4	70.5	55	295	75.1	82.5	83.7	58.4
266	62.2	67.1	69.7	55.2	296	75.1	82.8	84	59
267	62.7	67.5	69.6	55.4	297	75.3	83.3	86.7	59.3
268	63.1	67.9	69.7	55.7	298	75.8	84	84.1	58.8
269	63.7	68.5	70.1	56	299	76.3	84.6	87	58.7
270	64.1	69.3	70.4	55.9	300	76.8	85.5	88.2	58.6
301	77.4	86.4	87.3	58.7	331	94	96.9	97.4	59.1
302	78.4	87	86	58.8	332	94.1	97	98.5	59.2
303	78.9	87.5	86.3	59.3	333	94.4	96.8	96.5	59.4
304	79.4	87.9	89.6	59.4	334	94.4	97	96.6	59
305	79.8	87.9	88	59.5	335	94.7	96.9	98.7	59
306	80.4	88.7	87	59.8	336	94.8	96.8	99.8	59
307	80.9	89.5	89	59.7	337	94.7	97.1	97.7	58.9
308	81.3	90.9	89.1	59	338	94.8	97	97.2	59
309	81.9	91.6	90	58.9	339	94.5	96.9	99.3	59
310	82	91.8	91.7	58.8	340	94.4	96.9	101	58.9
311	82.1	92.2	88.1	58.7	341	94.3	97.1	100.6	58.7
312	82.4	92.6	88.2	58.7	342	94.5	97.1	98.5	58.6
313	82.9	92.9	89.9	58.8	343	94.5	97	100.7	58.6
314	83.3	93.8	93.1	59	344	94.5	97.1	103.8	58.9
315	84	94.2	90.2	59.1	345	94.7	96.9	104.1	58.8
316	85	94.4	90.2	59.1	346	94.9	97	100.2	58.8
317	85.9	94.2	92.3	59.3	347	94.7	97	101.7	58.8
318	86	94.1	94.9	59.4	348	94.7	96.9	103.2	58.5
319	86.6	94.4	94.2	59.8	349	94.4	96.8	104.6	58.7
320	87	94.5	90.9	59.5	350	94.5	96.9	106.3	58.8
321	88.7	95.2	92.8	59.4	351	94.5	97.1	104.4	58.8
322	89.6	95.3	92.9	59.5	352	94.7	97	105.3	59.1
323	91.5	95.7	94.7	59.8	353	94.8	96.8	108.3	59.2
324	92	95.9	91.9	59.7	354	94.8	96.8	108.9	59.6
325	92.8	96.3	92.2	59.9	355	94.9	97.2	104.4	59
326	92.8	96	93.7	59.6	356	94.8	97.1	95.4	56.1
327	92.6	96.3	93.1	59.1	357	95	97.1	88.9	55.2
328	93	96.5	95	59	358	95.2	97	84.6	54.4
329	93.4	96.6	94	59	359	95	96.8	82.4	53.8
330	93.6	96.7	95.7	59	360	95.3	96.8	79.3	53.4

Figure 19. Raw Data of Different Points

TND6319/D

SCHEMATICS

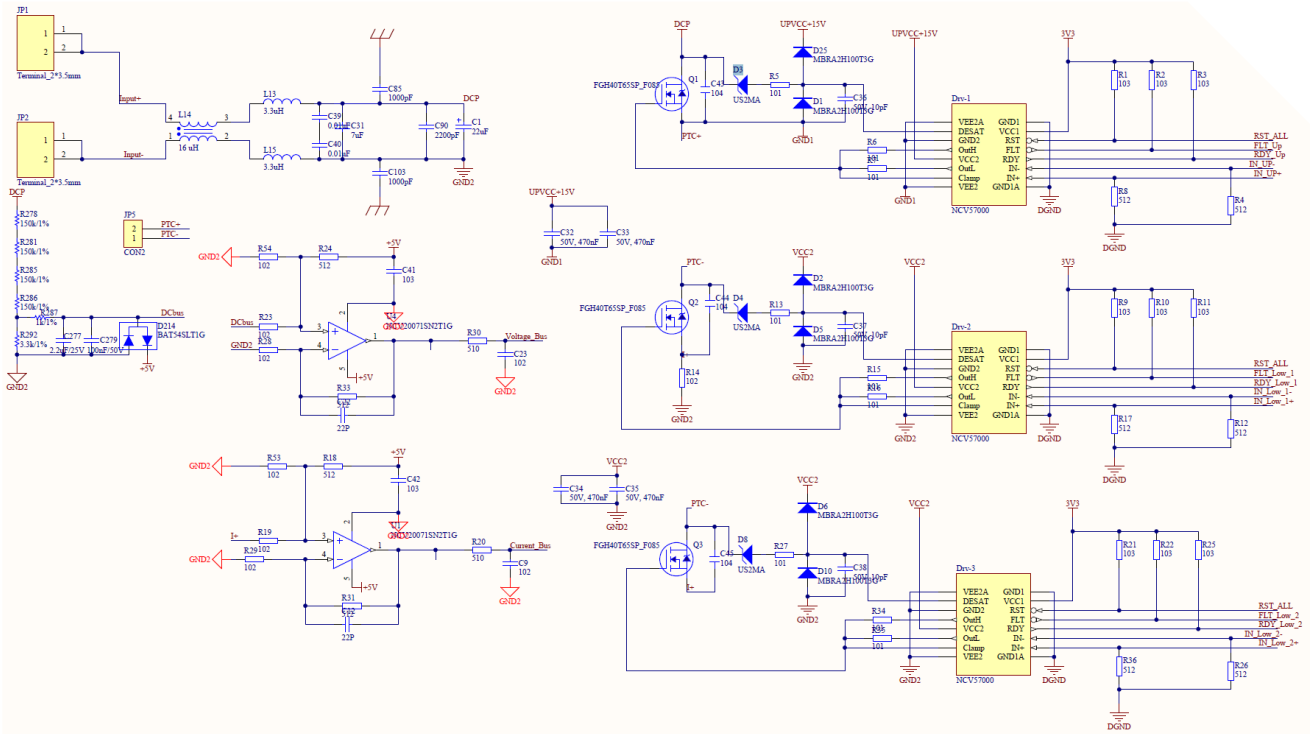


Figure 20. Schematic of Isolated Gate Drivers and PTC Power Stage

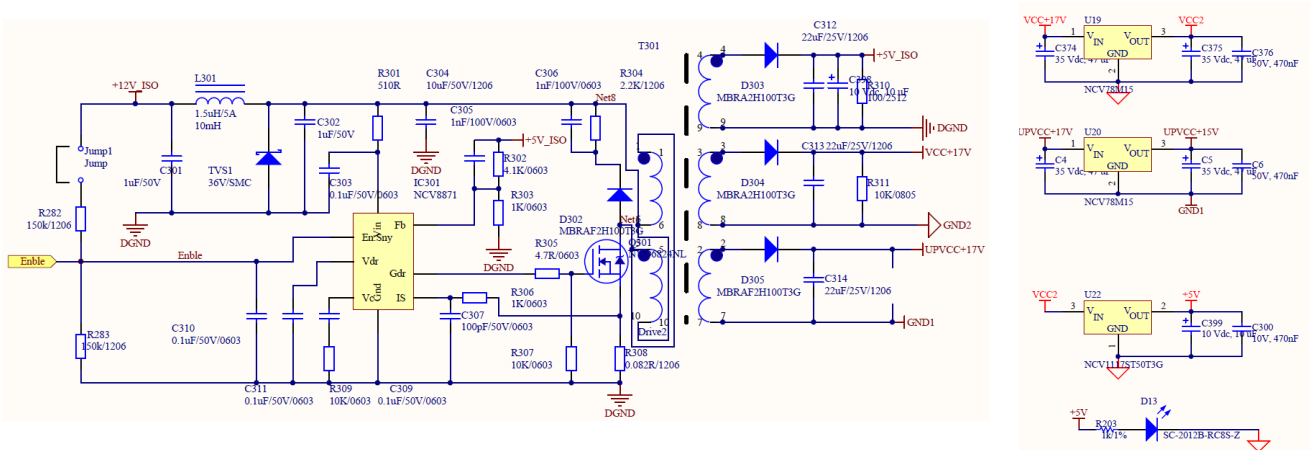


Figure 21. Schematic of Auxiliary Power Supply

TND6319/D

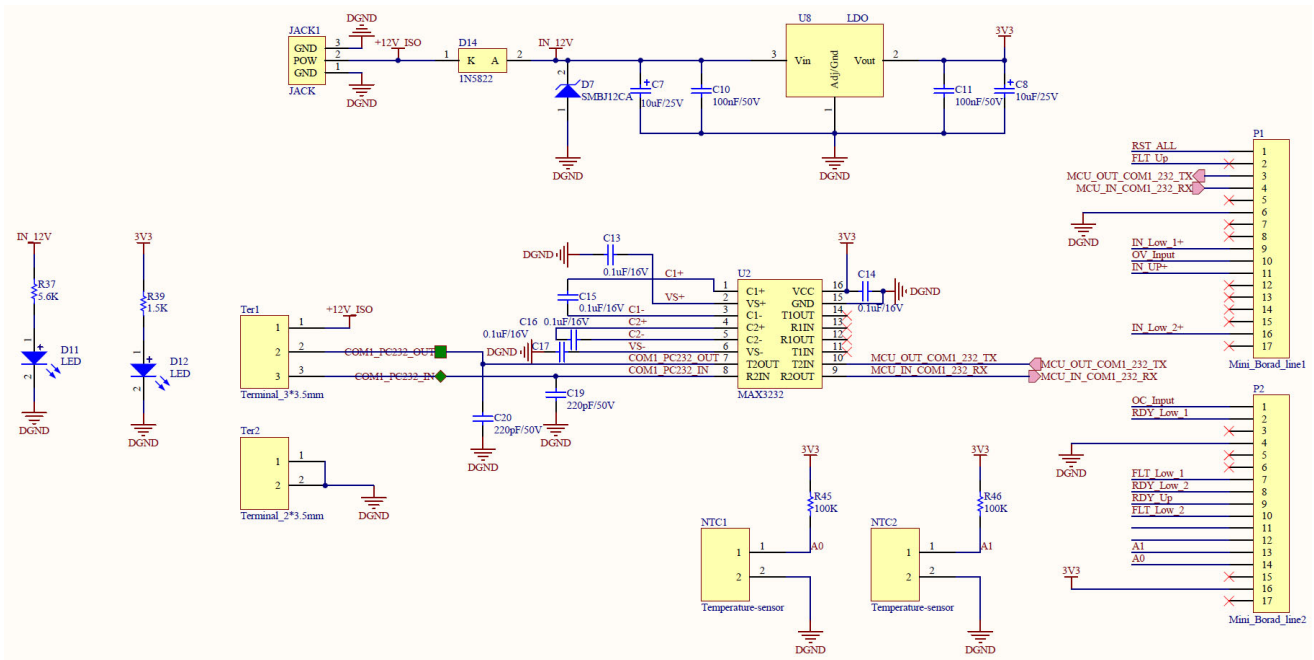


Figure 22. Schematic of the Interface Circuit

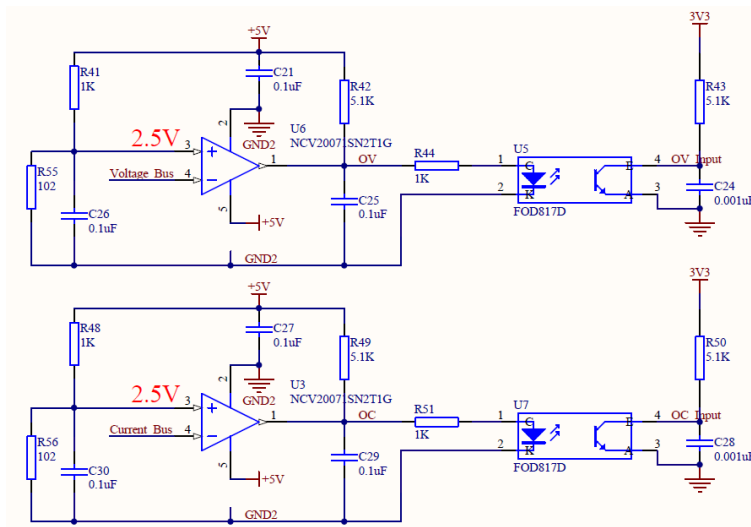


Figure 23. Schematic of Over Voltage and Over Current

TND6319/D


BILL OF MATERIALS

Main Board Description	Manufacturer Part Number	Manufacturer	Qty.	Designator
Schottky Diode 2A 100V, SMA	MBRA2H100T3G	ON Semiconductor	10	D1, D2, D5, D6, D10, D25, D302, D303, D304, D305,
Rectifier Diode 50A 1000V, SMA	NRVUS2MA	ON Semiconductor	3	D3,D4,D8,
Schottky Diode 3A 40V, DO-214AB	SS34	ON Semiconductor	1	D14,
Schottky Diode 1A 30V, SOT-23	BAT54SLT1G	ON Semiconductor	1	D214,
IGBT 650V,40A, TO-247	FGH40T65SF-F085	ON Semiconductor	3	Q1,Q2,Q3,
MOSFET 20mΩ 100V, DPAK	NVD6824NL	ON Semiconductor	1	Q301,
IC IGBT Driver, SOIC-16 WB	NCV57000	ON Semiconductor	3	Drv-1, Drv-2, Drv-3,
IC Boost Controller, SOIC-8	NCV887104D1R2G	ON Semiconductor	1	IC301,
IC Linear Voltage Regulator, SOT-223	NCV1117ST33T3G	ON Semiconductor	1	U8
IC Operational Amplifier,TSOP-5	NCV20071SN2T1G	ON Semiconductor	4	U1, U3, U4, U6,
IC Linear Voltage Regulator, DPAK	NCV78M15BDTG	ON Semiconductor	2	U19, U20,
IC Linear Voltage Regulator, SOT-223	NCV1117ST50T3G	ON Semiconductor	1	U22,
Transient Diode 100A 5V, DO-214AA	SMBJ12CA	Littlefuse	2	D7,TVS1,
IC Photo Coupler,SOP4	FOD817D	Any	2	U5, U7,
E-Cap 450V-22uF WCAP-AT1H (13X25mm)	860241478004	WURTH	1	C1,
E-Cap 35V-47uF WCAP-ASLU(6.3X7.7mm)	865090545008	WURTH	4	C4, C5, C374, C375,
MLCC 0805-50V-470nF		Any	4	C6, C32,C33, C34,C35,C376,
E-Cap 25V-10uF AF-CAP-D (6.6X6.6mm)	865060542002	WURTH	2	C7,C8,
MLCC 0603-16V-102M		Any	4	C9,C23, C24, C28,
MLCC 0603-50V-100nF		Any	2	C10,C11,
MLCC 0603-22pF		Any	2	C12,C22,
MLCC 0603-16V-0.1uF		Any	13	C13, C14, C15, C16, C17, C19, C20, C21, C26, C25, C27, C29, C30,
W-Cap 800VDC-2uF DKMJ-P	1GLBH520D800-301	BM-CAP	1	C31
MLCC 0805-50V-10pF		Any	3	C36,C37,C38,
W-Cap 310VAC-0.01uF X2CAP	1X2H310 K310-A73	BM-CAP	2	C39,C40,
MLCC 0603-16V-103M		Any	2	C41,C42,
W-Cap 68nF CAP-HV	890303423005CS	WURTH	3	C43,C44,C45,
MLCC 1210-1000pF		Any	2	C85,C103,
MLCC 1210-2200pF		Any	1	C90,
MLCC 0805-25V-2.2uF		Any	1	C277,
MLCC 0805-50V-100nF		Any	1	C279,
MLCC 0805-10V-470nF		Any	1	C300,
MLCC 2512-50V-1uF		Any	1	C301,
MLCC 0603-50V-1uF		Any	1	C302,
MLCC 0603-50V-0.1uF		Any	4	C303, C309 ,C310, C311,
MLCC 1210-50V-10uF		Any	1	C304,
MLCC 0603-100V-1nF		Any	2	C305, C306,
MLCC 0603-50V-100pF		Any	1	C307,

TND6319/D

BILL OF MATERIALS (continued)

Main Board Description	Manufacturer Part Number	Manufacturer	Qty.	Designator
MLCC 1206-25V-22uF		Any	3	C312, C313, C314,
E-Cap 10V-10uF WCAP-ASLU	865090240001	WURTH	2	C398, C399,
LED 0805 (Green)		Any	3	D11,D12,D13,
DC-005 (5.5*2.1mm)		YI MENG	1	JACK1,
Interface_input_power (7*7mm)	WP-THRBU	WURTH	2	JP1,JP2,
JUMPER (2*3.5mm)		Any	1	JUMP1,
Temperature-sensor (2*3.5mm)		Any	2	NTC1,NTC2,
Terminal_3*3.5mm		Any	1	Ter1,
Terminal_2*3.5mm		Any	1	Ter2,
SMD Inductor 3.3uH-9.5A	74437377033	WURTH	2	L13,L15,
SMD Inductor 1.5uH-5A	74437346015	WURTH	1	L301,
Common Choke 16uH 10A	7448421016	WURTH	1	L14,
MID-Flyback Transformers	30400R-LF1	WURTH	1	T301,
IC RS-232 Line Driver/Receiver		Any	1	U2,
Chip resister 0805 10Kohm-J		Any	10	R1, R2, R3, R9, R10, R11, R21, R22, R25,R311
Chip resister 0805 5.1Kohm-J		Any	6	R4, R8, R12, R17, R26, R36,
Chip resister 1206 100ohm-J		Any	10	R5, R6, R7, R13, R15, R16, R27, R34, R35,R310,
Chip resister 0805 1Kohm-J		Any	8	R19, R23, R28, R29, R53, R54, R55, R56,
Chip resister 2512 1Kohm-J		Any	1	R14,
Chip resister 0603 5.1Kohm-J		Any	4	R18, R24, R31, R33,
Chip resister 0603 51ohm-J		Any	2	R20, R30,
Chip resister 0805 5.6Kohm-J		Any	1	R37,
Chip resister 0805 1.5Kohm-J		Any	1	R39,
Chip resister 0603 1Kohm-J		Any	8	R41, R44, R48, R51, R203, R287, R303, R306,
Chip resister 0603 5.1Kohm-J		Any	4	R42, R43, R49, R50,
Chip resister 0805 100Kohm-J		Any	2	R45, R46,
Chip resister 1206 150Kohm-J		Any	6	R278, R281, R285, R286, R282, R283,
Chip resister 0603 3.3Kohm-J		Any	1	R292,
Chip resister 0603 510ohm-J		Any	1	R301,
Chip resister 0603 4.1Kohm-J		Any	1	R302,
Chip resister 1206 2.2Kohm-J		Any	1	R304,
Chip resister 0603 4.7ohm-J		Any	1	R305,
Chip resister 0603 10Kohm-J		Any	2	R307, R309,
Chip resister1206 0.082ohm-J		Any	1	R308,

ON Semiconductor and  are trademarks of Semiconductor Components Industries, LLC dba ON Semiconductor or its subsidiaries in the United States and/or other countries. ON Semiconductor owns the rights to a number of patents, trademarks, copyrights, trade secrets, and other intellectual property. A listing of ON Semiconductor's product/patent coverage may be accessed at www.onsemi.com/site/pdf/Patent-Marking.pdf. ON Semiconductor reserves the right to make changes without further notice to any products herein. ON Semiconductor makes no warranty, representation or guarantee regarding the suitability of its products for any particular purpose, nor does ON Semiconductor assume any liability arising out of the application or use of any product or circuit, and specifically disclaims any and all liability, including without limitation special, consequential or incidental damages. Buyer is responsible for its products and applications using ON Semiconductor products, including compliance with all laws, regulations and safety requirements or standards, regardless of any support or applications information provided by ON Semiconductor. "Typical" parameters which may be provided in ON Semiconductor data sheets and/or specifications can and do vary in different applications and actual performance may vary over time. All operating parameters, including "Typicals" must be validated for each customer application by customer's technical experts. ON Semiconductor does not convey any license under its patent rights nor the rights of others. ON Semiconductor products are not designed, intended, or authorized for use as a critical component in life support systems or any FDA Class 3 medical devices or medical devices with a same or similar classification in a foreign jurisdiction or any devices intended for implantation in the human body. Should Buyer purchase or use ON Semiconductor products for any such unintended or unauthorized application, Buyer shall indemnify and hold ON Semiconductor and its officers, employees, subsidiaries, affiliates, and distributors harmless against all claims, costs, damages, and expenses, and reasonable attorney fees arising out of, directly or indirectly, any claim of personal injury or death associated with such unintended or unauthorized use, even if such claim alleges that ON Semiconductor was negligent regarding the design or manufacture of the part. ON Semiconductor is an Equal Opportunity/Affirmative Action Employer. This literature is subject to all applicable copyright laws and is not for resale in any manner.

PUBLICATION ORDERING INFORMATION

LITERATURE FULFILLMENT:

Literature Distribution Center for ON Semiconductor
19521 E. 32nd Pkwy, Aurora, Colorado 80011 USA
Phone: 303-675-2175 or 800-344-3860 Toll Free USA/Canada
Fax: 303-675-2176 or 800-344-3867 Toll Free USA/Canada
Email: orderlit@onsemi.com

N. American Technical Support: 800-282-9855 Toll Free
USA/Canada
Europe, Middle East and Africa Technical Support:
Phone: 421 33 790 2910

ON Semiconductor Website: www.onsemi.com

Order Literature: <http://www.onsemi.com/orderlit>

For additional information, please contact your local Sales Representative