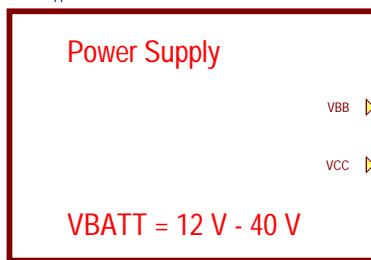
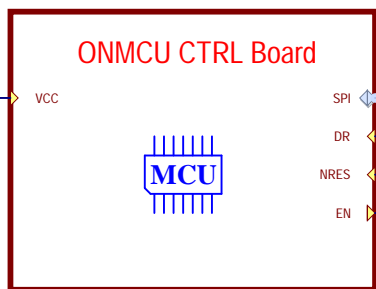


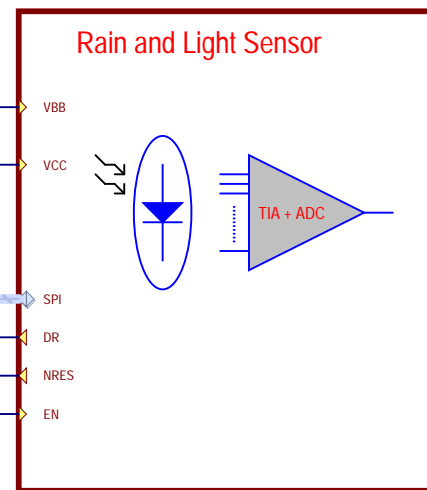
U_PowerSupplies
PowerSupplies.SchDoc



U_MCU
MCU.SchDoc

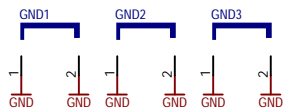
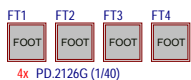


U_Device
Device.SchDoc



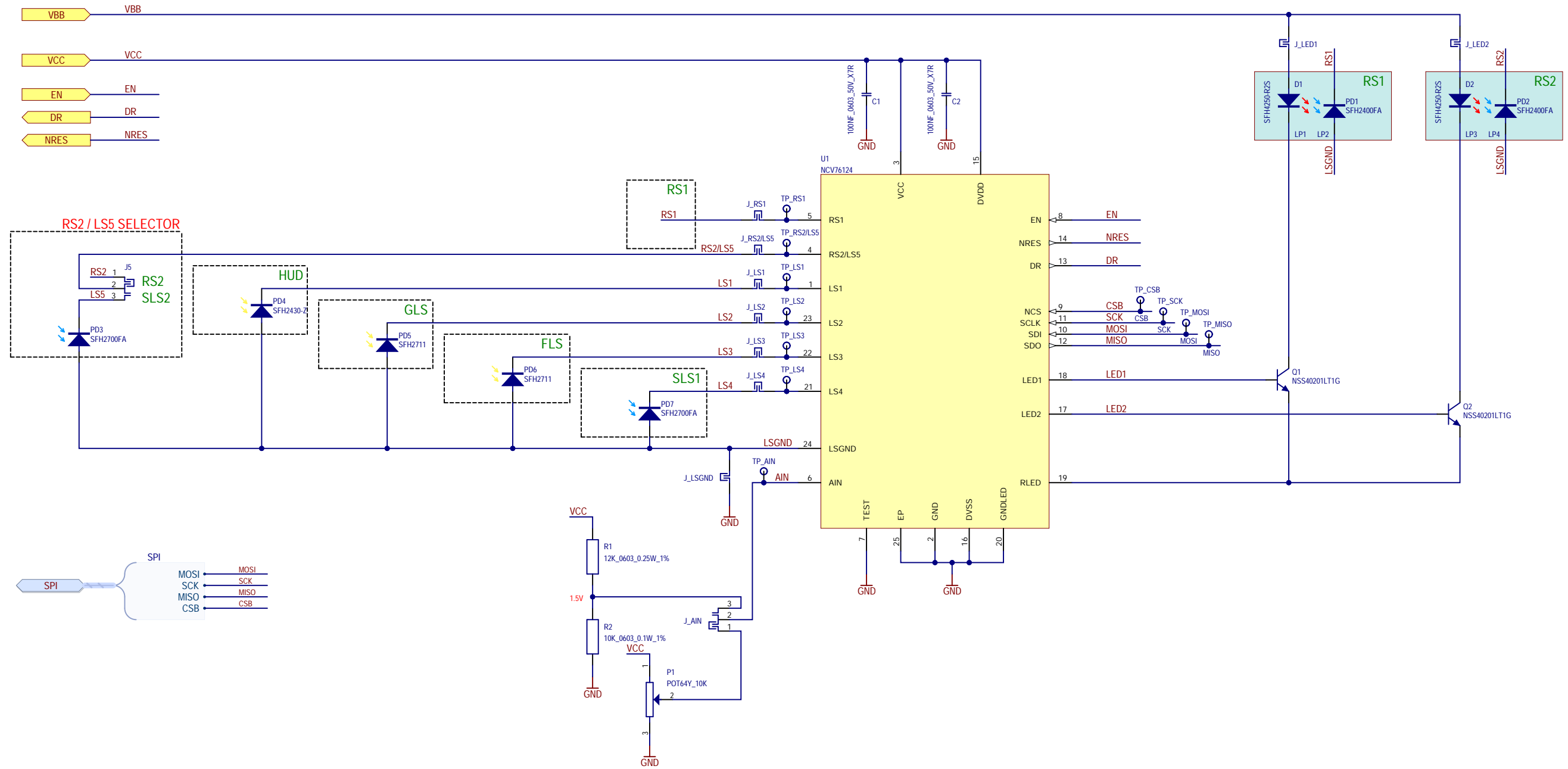
Logo
Cannot open file
C:\Users\tcwq6c\Desktop\Temporary\Logo_Male.png. File does not exist.

onsemi logo



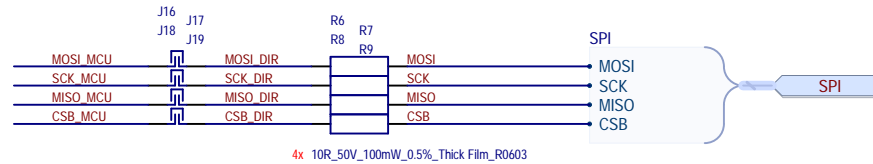
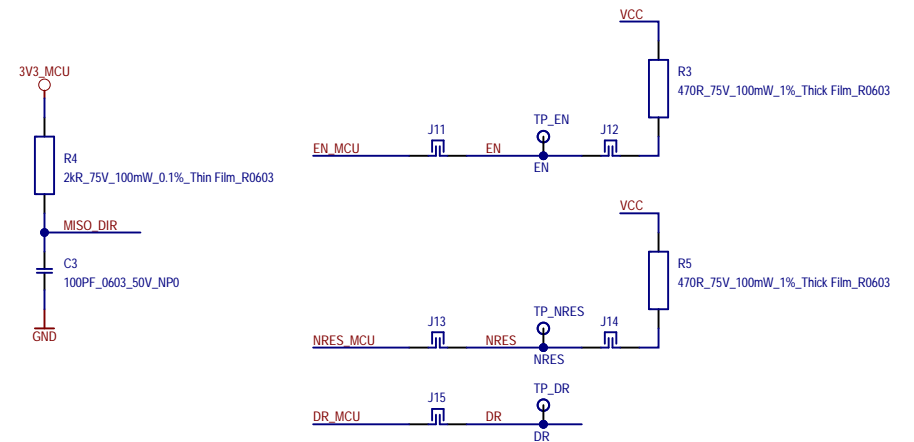
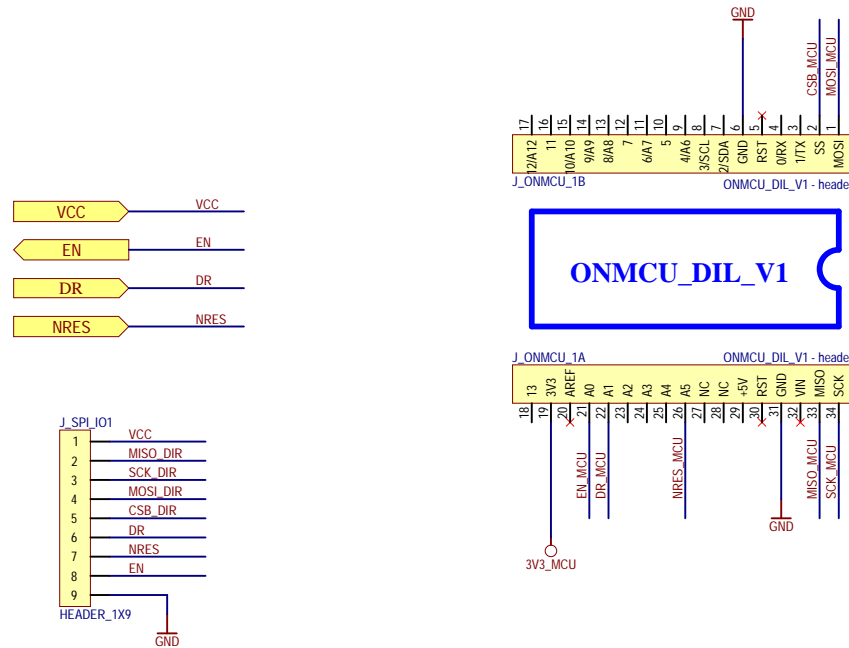
PROJECT	R124_EVK_V31	NCV76124_EvalKit
PACKAGE	QFNW24 4x4, 0.5P	CASE 484AA
SOCKET	<Socket for Bench>	<Socket for FA>
onsemi		ON Design Czech s.r.o. Videnska 125 619 00 Brno Czech Republic
PCB PROJECT	R124_EVK_V31	VARIANT [No Variations]
SCHEMATIC	R124_EVK_V31_Top.SchDoc	
CUSTOMER	onsemi	AUTHOR Premysl DULA
STATUS	PRODUCTION	
Size	REV. 1.0	SHEET No. 1
A3	TOTAL SHEETS 4	TIMESTAMP 16.08.2023 9:42:34
		REVISION 1.0

NCV76124 RAIN AND LIGHT SENSOR



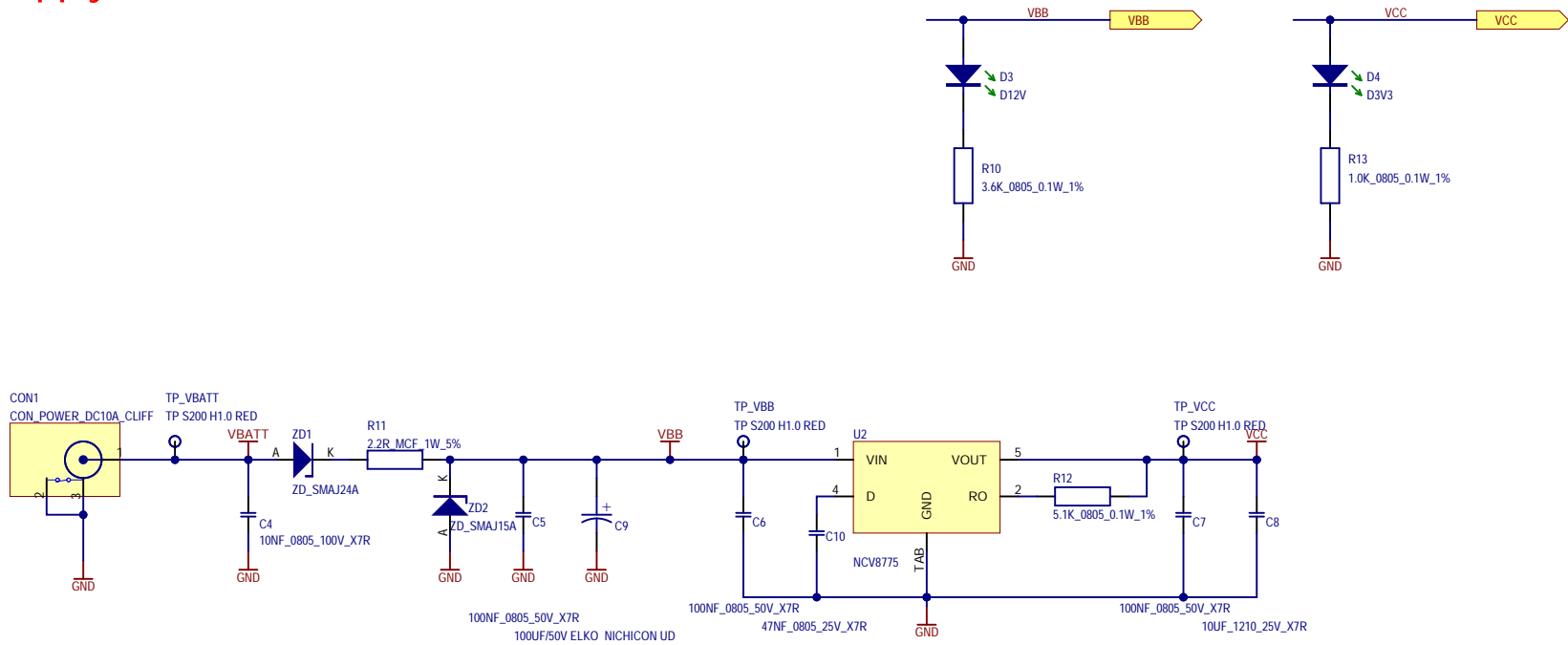
PROJECT	R124_EVK_V31	NCV76124_EvalKit
PACKAGE	QFNW24 4x4, 0.5P	CASE 484AA
SOCKET	<Socket for Bench>	<Socket for FA>
onsemi		ON Design Czech s.r.o. Videnska 125 619 00 Brno Czech Republic
PCB PROJECT	R124_EVK_V31	VARIANT [No Variations]
SCHEMATIC Device.SchDoc		
CUSTOMER	onsemi	AUTHOR Premysl DULA
STATUS PRODUCTION		
Size A3	REV. 1.0	SHEET No. 2
TOTAL SHEETS 4	TIMESTAMP 16.08.2023 9:42:34	REVISION 1.0

ONMCU CONTROL BOARD COMMUNICATION



PROJECT	R124_EVK_V31	NCV76124_EvalKit
PACKAGE	QFNW24 4x4, 0.5P	CASE 484AA
SOCKET	<Socket for Bench>	<Socket for FA>
		ON Design Czech s.r.o. Videnska 125 619 00 Brno Czech Republic
PCB PROJECT	R124_EVK_V31	VARIANT [No Variations]
SCHEMATIC MCU.SchDoc		
CUSTOMER	onsemi	AUTHOR Premysl DULA
STATUS PRODUCTION		
Size A3	REV. 1.0	SHEET No. 3
TOTAL SHEETS 4	TIMESTAMP 16.08.2023 9:42:34	REVISION 1.0

Power Supply



PROJECT	R124_EVK_V31	NCV76124_EvalKit
PACKAGE	QFNW24 4x4, 0.5P	CASE 484AA
SOCKET	<Socket for Bench>	<Socket for FA>
onsemi		ON Design Czech s.r.o. Videnska 125 619 00 Brno Czech Republic
PCB PROJECT	R124_EVK_V31	VARIANT [No Variations]
SCHEMATIC PowerSupplies.SchDoc		
CUSTOMER	onsemi	AUTHOR Premysl DULA
STATUS PRODUCTION		
Size A3	REV. 1.0	SHEET No. 4
TOTAL SHEETS 4	TIMESTAMP 16.08.2023 9:42:34	REVISION 1.0