

FAN65004B-GEVB

High Performance 65 V, 6 A Voltage Mode Synchronous PWM Buck Regulator Evaluation Board User's Manual

Description

FAN65004B is a wide VIN highly efficient synchronous buck regulator, with integrated high side and low side power MOSFETs. The device incorporates a fixed frequency voltage mode PWM controller supporting a wide voltage range from 4.5 V to 65 V and can handle continuous currents up to 6 A.

FAN65004B includes a 0.67% accurate reference voltage to achieve tight regulation. The switching frequency can be programmed from 100 kHz to 1 MHz. To improve efficiency at light load condition, the device can be set to discontinuous conduction mode with pulse skipping operation.

FAN65004B has dual LDOs to minimize power loss and integrated current sense circuit that provides cycle-by-cycle current limiting. This single phase buck regulator offers complete protection features including Over current protection, Thermal shutdown, Under-voltage lockout, Over voltage protection, Under voltage protection and Short-circuit protection.

FAN65004B uses ON Semiconductor's high performance POWERTRENCH[®] MOSFETs that reduces ringing in switching applications. FAN65004B integrates the controller, driver, and power MOSFETs into a thermally enhanced, compact 6 × 6 mm PQFN package. With an integrated approach, the complete DC/DC converter is optimized from the controller and driver to MOSFET switching performance, delivering a high power density solution.

Performance Specifications of the FAN65004B-GEVB

Parameter	Conditions	Performance Value
Input Voltage	Range 4.5 V to 65 V	48 V
Output Current		6 A
Output Voltage	13.4 V, 17 V, 28 V and 30.5 V	28 V
Output Voltage Ripple		20 mVp-p
Transient Response	Peak Deviation Load step 3 A/μs to 6 A/μs	1.1 V
Switching Frequency	100 kHz – 1 MHz	300 kHz
Efficiency		97.7%



ON Semiconductor[®]

www.onsemi.com

EVAL BOARD USER'S MANUAL

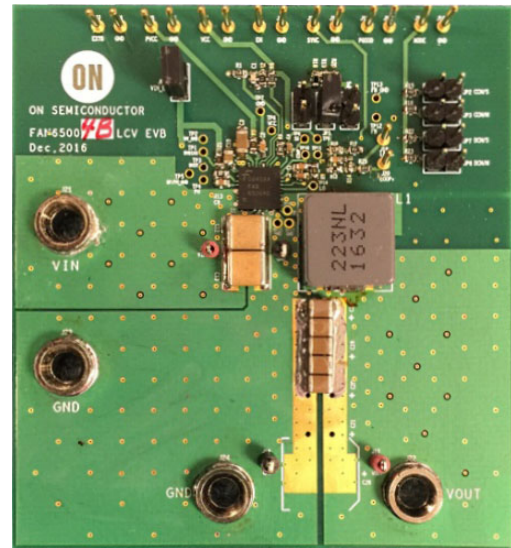


Figure 1. FAN65004B Evaluation Board

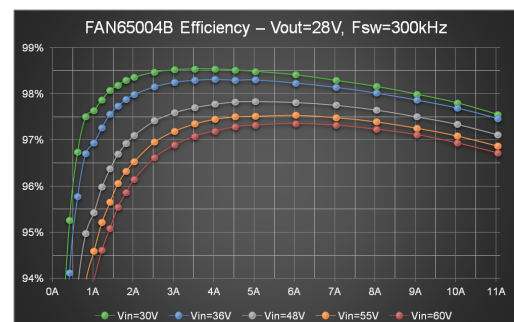


Figure 2. FAN65004B Efficiency

FAN65004B-GEVB

The FAN65004B-GEVB has a simple layout and allows access to the appropriate signals through test points. To evaluate the performance, follow the procedure below and refer to Figure 3.

1. Connect a power supply to the input terminals V_{IN} and GND. Set V_{in} between 35 V to 60 V.
2. Connect the positive terminal of the electronic load to V_{OUT} and negative terminal to GND.
3. There are 2 ways to enable the device:
 - a. Use external voltage source of 2 V~5 V regardless of input voltage range, on the EN pin.
 - b. Use V_{IN} voltage divider. If so, 2 requirements need to be satisfied: J1 jumper be connected, $V_{IN} \geq V_{IN_UVLO}$.
4. The evaluation board should now power up with a 13.4 V output voltage.
5. Check for the proper output voltage of 13.4 V ($\pm 1\%$) at the output terminals V_{OUT} and GND. Measurement can also be done with a multimeter with the positive and negative leads between V_{OUT} and GND.
6. Set the load to 6 A through the electronic load. Check for the stable operation of the PH (TP16) signal on the oscilloscope. Measure the switching frequency. A test point is conveniently located at the head of the inductor.

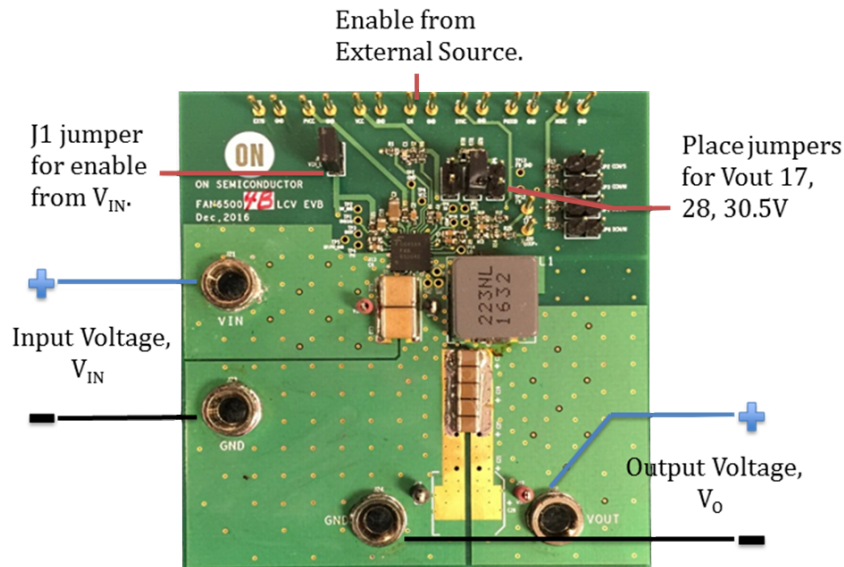
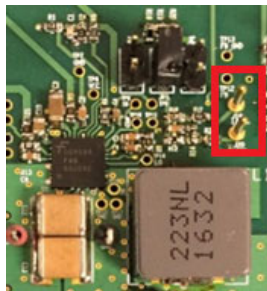


Figure 3. EVM Board Connections

Measurement/Performance Guidelines:

1. The evaluation board has an easy access to measure AC analysis, if required. Connect the injection signal across the resistor (R25) as shown and measure AC analysis through a network analyzer.
2. When measuring the output voltage ripple, maintain the shortest possible ground lengths on the oscilloscope probe. Long ground leads can erroneously inject high frequency noise into the measured ripple.
3. For efficiency measurements, connect an ammeter in series with the input supply to measure the input current. Connect an electronic load to the output for output current



FAN65004B-GEVB

TYPICAL PERFORMANCE CHARACTERISTICS

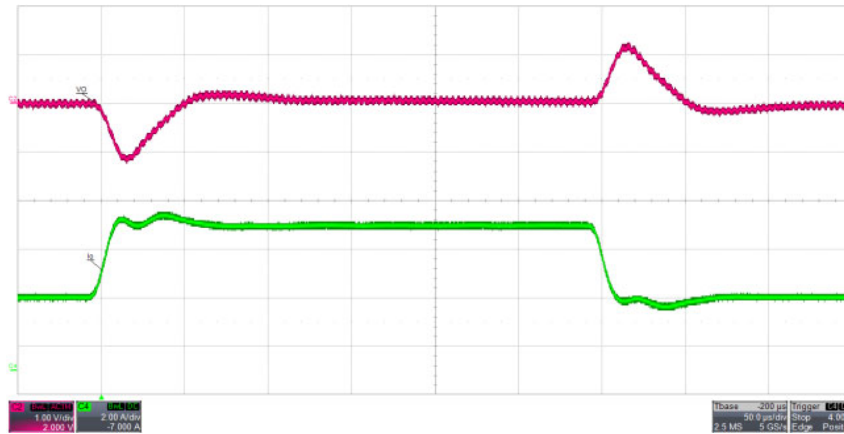


Figure 4. Load Step between 50% and 100% Load

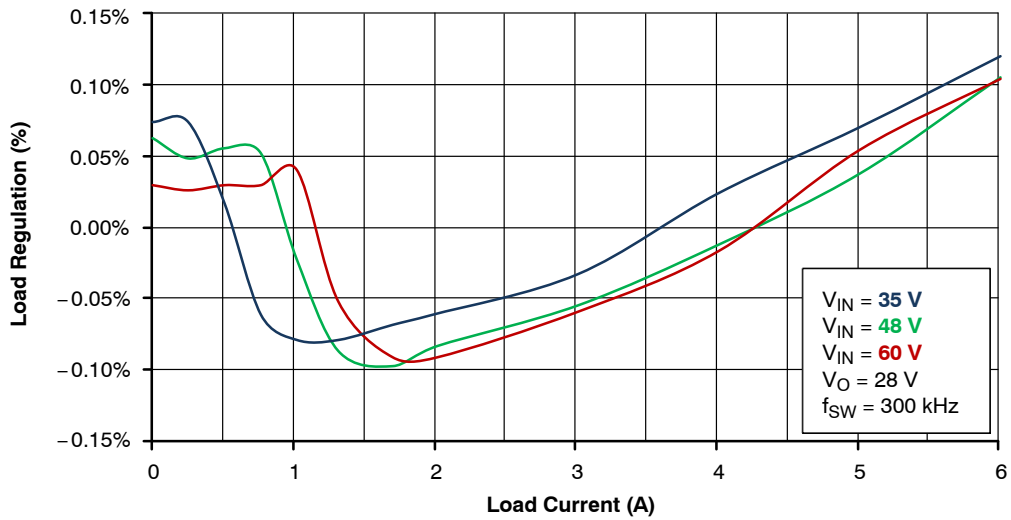


Figure 5. Load Regulation

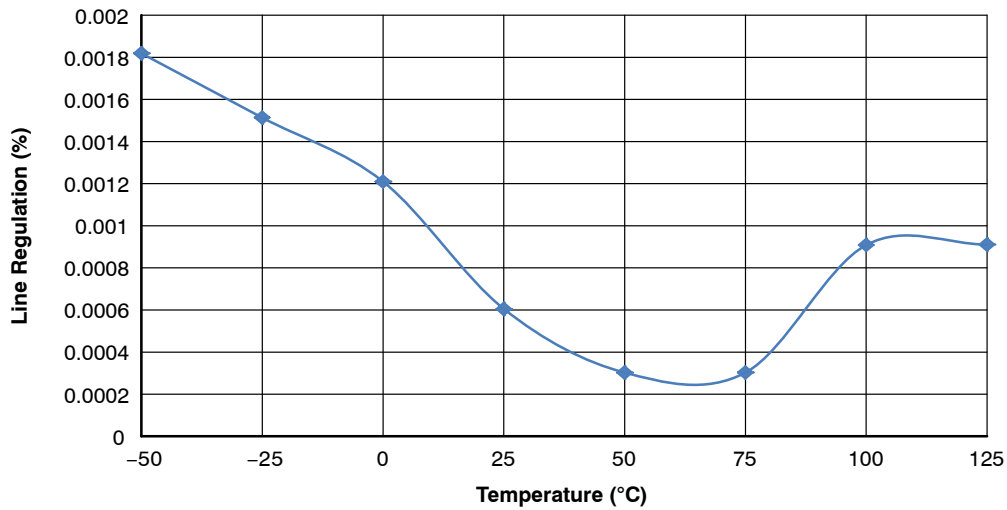


Figure 6. Line Regulation vs. Temperature

FAN65004B-GEVB

SCHEMATIC

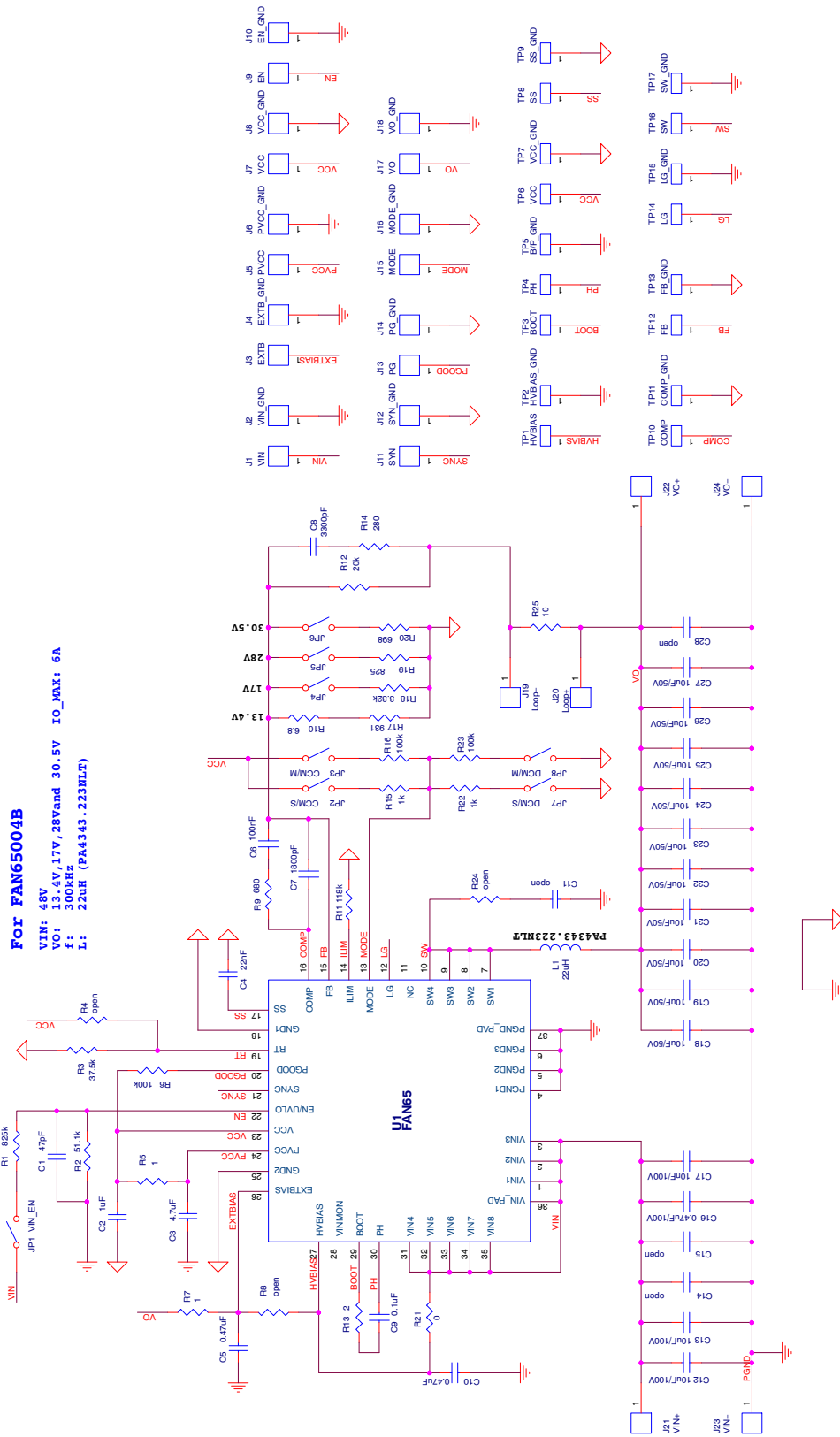


Figure 7. EVM Schematic

FAN65004B-GEVB

PCB LAYERS

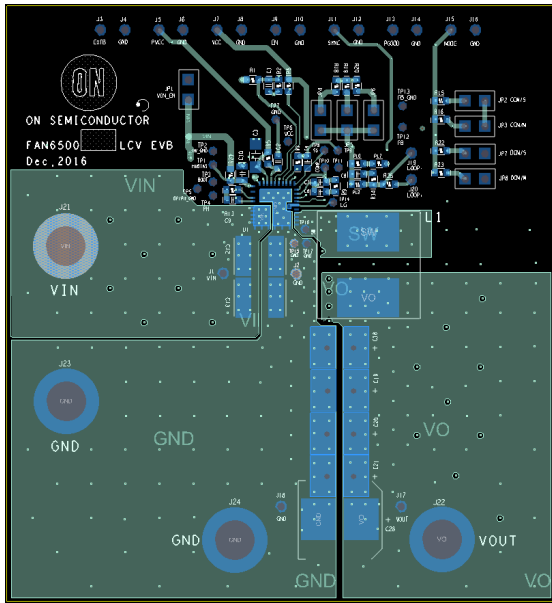


Figure 8. Top Layer

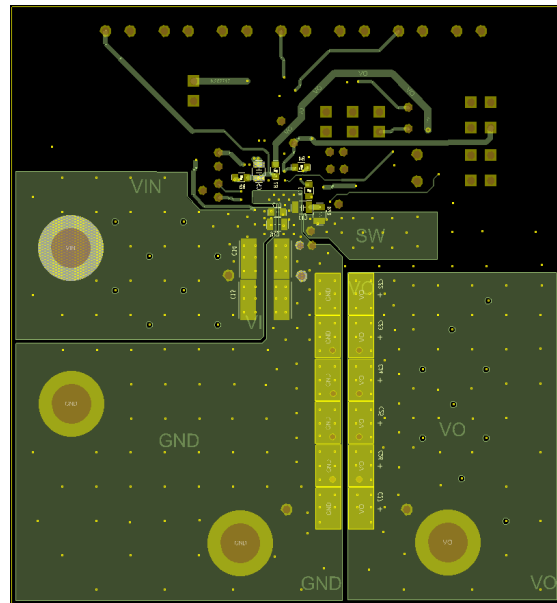


Figure 9. Bottom Layer

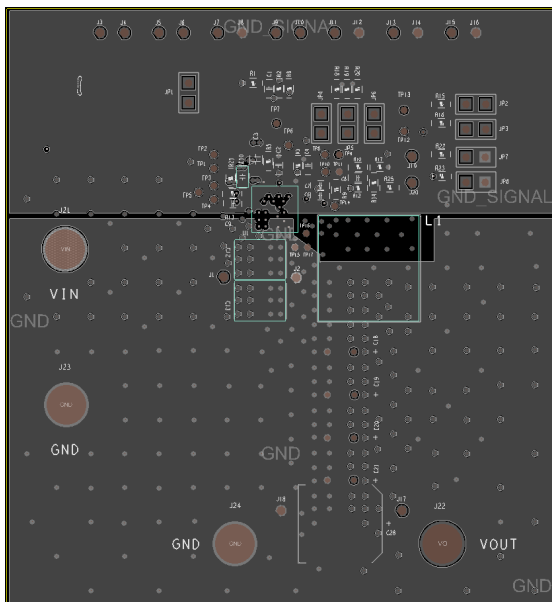


Figure 10. Inner Layer 1

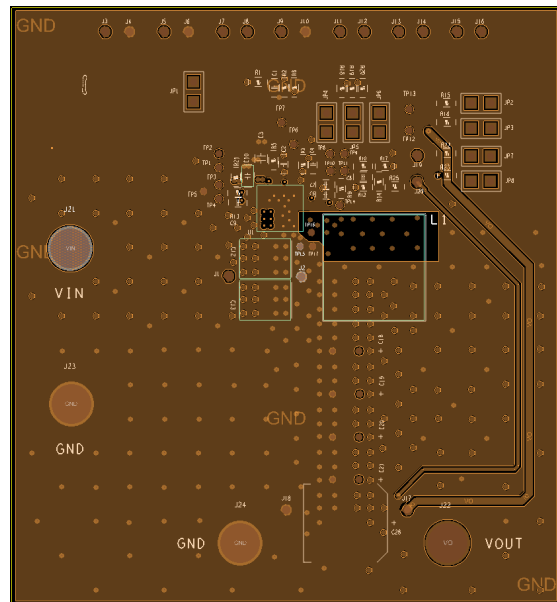


Figure 11. Inner Layer 2

FAN65004B-GEVB

BILL OF MATERIALS

Table 1. BILL OF MATERIALS

Item	Qty	Reference	Value	Voltage	PCB Footprint	Manufacturer Part Number	Part Number Preferred	TC	Manufacturer
1	1	C1	47 pF	50 V	603	06035C470JAT2A		X7R	AVX
2	1	C2	1 μ F	10 V	603	GRM188R71A105KA61D		X7R	Murata
3	1	C3	4.7 μ F	10 V	1206	GRM31CR71A475KA01L		X7R	Murata
4	1	C4	22 nF	50 V	603	GRM188R71H223KA01D		X7R	Murata
5	3	C5, C10, C16	0.47 μ F	100 V	805	GRM21BR72A474KA73L		X7R	Murata
6	2	C6, C9	100 nF	25 V	603	GRM188R71E104KA01D		X7R	Murata
7	1	C7	1.8 nF	50 V	603	GRM188R71H182KA01D		X7R	Murata
8	1	C8	3.3 nF	50 V	603	GRM188R71H332KA01D		X7R	Murata
9	1	C11	Open	100-200 V	805				
10	2	C12, C13	10 μ F	100 V	2220	22201C106MAT2A		X7R	AVX
11	1	C17	10 nF	100 V	603	C1608X7R2A103K080AA	GRM188R72A103KA01	X7R	TDK
12	10	C18, C19, C20, C21, C22, C23, C24, C25, C26, C27	10 μ F	50 V	1210	UMK325AB7106KM-T	GRM32ER71H106KA12	X7R	Taiyo Yuden
13	3	C28, C14, C15	Open	35 V					
14	1	JP1	VIN_EN		HEADER .100 SINGL STR 2POS	77311-818-02LF			Amphenol
15	1	JP2	CCM/S		HEADER .100 SINGL STR 2POS	77311-818-02LF			Amphenol
16	1	JP3	CCM/M		HEADER .100 SINGL STR 2POS	77311-818-02LF			Amphenol
17	1	JP4	V2		HEADER .100 SINGL STR 2POS	77311-818-02LF			Amphenol
18	1	JP5	V3		HEADER .100 SINGL STR 2POS	77311-818-02LF			Amphenol
19	1	JP6	V4		HEADER .100 SINGL STR 2POS	77311-818-02LF			Amphenol
20	1	JP7	DCM/S		HEADER .100 SINGL STR 2POS	77311-818-02LF			Amphenol
21	1	JP8	DCM/M		HEADER .100 SINGL STR 2POS	77311-818-02LF			Amphenol
22	1	J1	VIN		SMALL RED TERM	151-207A-RC			Kobiconn
23	1	J2	VIN_GND		SMALL BLK TERM	151-203-RC			Kobiconn
24	1	J3	Open						
25	1	J4	Open						
26	1	J5	Open						
27	1	J6	PVCC_GND		0.043" pin	3103-2-00-21-00-00-08-0			Mill-Max Manufacturing Corp.
28	1	J7	Open						
29	1	J8	Open						
30	1	J9	EN		0.043" pin	3103-2-00-21-00-00-08-0			Mill-Max Manufacturing Corp.
31	1	J10	Open						

FAN65004B-GEVB

Table 1. BILL OF MATERIALS (continued)

Item	Qty	Reference	Value	Voltage	PCB Footprint	Manufacturer Part Number	Part Number Preferred	TC	Manufacturer
32	1	J11	Open						
33	1	J12	SYN_GND		0.043" pin	3103-2-00-21-00-00-08-0			Mill-Max Manufacturing Corp.
34	1	J13	Open						
35	1	J14	Open						
36	1	J15	Open						
37	1	J16	Open						
38	1	J17	VO		SMALL RED TERM	151-207A-RC			Kobiconn
39	1	J18	VO_GND		SMALL BLK TERM	151-203-RC			Kobiconn
40	1	J19	Loop-		0.043" pin	3103-2-00-21-00-00-08-0			Mill-Max Manufacturing Corp.
41	1	J20	Loop+		0.043" pin	3103-2-00-21-00-00-08-0			Mill-Max Manufacturing Corp.
42	1	J21	VIN+		JACK	575-4			Keystone
43	1	J22	VO+		JACK	575-4			Keystone
44	1	J23	VIN-		JACK	575-4			Keystone
45	1	J24	VO-		JACK	575-4			Keystone
46	1	L1	22 μ H		0.867" \times 0.748"	PA4343.223NLT			Pulse
47	1	R1	825 k Ω		603	RC0603FR-07825KL			Yageo
48	1	R2	51.1 k Ω		603	RC0603FR-0751K1L			Yageo
49	1	R3	37.4 k Ω		603	RC0603FR-0737K4L			Yageo
50	3	R4, R8, R24	Open		603				
51	1	R21	0 Ω		603	RC0603JR-070RL			Yageo
52	3	R5, R7	1 Ω		603	RC0603FR-071RL			Yageo
53	3	R6, R16, R23	100 k Ω		603	RC0603FR-07100KL			Yageo
54	1	R9	680 Ω		603	RC0603FR-07680RL			Yageo
55	1	R10	6.8 Ω		603	RC0603FR-076R81L			Yageo
56	1	R11	118 k Ω		603	RC0603FR-07118KL		< 100 ppm	Yageo
57	1	R12	20 k Ω		603	RC0603FR-0720KL			Yageo
58	1	R13	2 Ω		603	AC0603FR-072RL			Yageo
59	1	R14	280 Ω		603	RC0603FR-07280RL			Yageo
60	2	R15, R22	1 k Ω		603	RC0603FR-071KL			Yageo
61	1	R17	931 Ω		603	RC0603FR-07931RL			Yageo
62	1	R18	3.32 k Ω		603	RC0603FR-073K32L			Yageo
63	1	R19	825 Ω		603	RC0603FR-07825RL			Yageo
64	1	R20	698 Ω		603	RT0603BRD07690RL			Yageo
65	1	R25	10 Ω		603	RC0603FR-0710RL			Yageo
66	1	TP1	Open						
67	1	TP2	Open						
68	1	TP3	Open						
69	1	TP4	Open						
70	1	TP5	Open						
71	1	TP6	Open						
72	1	TP7	Open						
73	1	TP8	Open						

FAN65004B-GEVB

Table 1. BILL OF MATERIALS (continued)

Item	Qty	Reference	Value	Voltage	PCB Footprint	Manufacturer Part Number	Part Number Preferred	TC	Manufacturer
74	1	TP9	Open						
75	1	TP10	Open						
76	1	TP11	Open						
77	1	TP12	Open						
78	1	TP13	Open						
79	1	TP14	Open						
80	1	TP15	Open						
81	1	TP16	SW		HEADER .100 SINGL STR 1POS	77311-818-01LF			Amphenol
82	1	TP17	Open						
83	1	U1	FAN65004B	65 V	MLP6x6	FAN65004B			ON Semiconductor

POWERTRENCH is a registered trademark of Semiconductor Components Industries, LLC (SCILLC) or its subsidiaries in the United States and/or other countries.

onsemi, **Onsemi**, and other names, marks, and brands are registered and/or common law trademarks of Semiconductor Components Industries, LLC dba "**onsemi**" or its affiliates and/or subsidiaries in the United States and/or other countries. **onsemi** owns the rights to a number of patents, trademarks, copyrights, trade secrets, and other intellectual property. A listing of **onsemi**'s product/patent coverage may be accessed at www.onsemi.com/site/pdf/Patent-Marking.pdf. **onsemi** is an Equal Opportunity/Affirmative Action Employer. This literature is subject to all applicable copyright laws and is not for resale in any manner.

The evaluation board/kit (research and development board/kit) (hereinafter the "board") is not a finished product and is not available for sale to consumers. The board is only intended for research, development, demonstration and evaluation purposes and will only be used in laboratory/development areas by persons with an engineering/technical training and familiar with the risks associated with handling electrical/mechanical components, systems and subsystems. This person assumes full responsibility/liability for proper and safe handling. Any other use, resale or redistribution for any other purpose is strictly prohibited.

THE BOARD IS PROVIDED BY ONSEMI TO YOU "AS IS" AND WITHOUT ANY REPRESENTATIONS OR WARRANTIES WHATSOEVER. WITHOUT LIMITING THE FOREGOING, ONSEMI (AND ITS LICENSORS/SUPPLIERS) HEREBY DISCLAIMS ANY AND ALL REPRESENTATIONS AND WARRANTIES IN RELATION TO THE BOARD, ANY MODIFICATIONS, OR THIS AGREEMENT, WHETHER EXPRESS, IMPLIED, STATUTORY OR OTHERWISE, INCLUDING WITHOUT LIMITATION ANY AND ALL REPRESENTATIONS AND WARRANTIES OF MERCHANTABILITY, FITNESS FOR A PARTICULAR PURPOSE, TITLE, NON-INFRINGEMENT, AND THOSE ARISING FROM A COURSE OF DEALING, TRADE USAGE, TRADE CUSTOM OR TRADE PRACTICE.

onsemi reserves the right to make changes without further notice to any board.

You are responsible for determining whether the board will be suitable for your intended use or application or will achieve your intended results. Prior to using or distributing any systems that have been evaluated, designed or tested using the board, you agree to test and validate your design to confirm the functionality for your application. Any technical, applications or design information or advice, quality characterization, reliability data or other services provided by **onsemi** shall not constitute any representation or warranty by **onsemi**, and no additional obligations or liabilities shall arise from **onsemi** having provided such information or services.

onsemi products including the boards are not designed, intended, or authorized for use in life support systems, or any FDA Class 3 medical devices or medical devices with a similar or equivalent classification in a foreign jurisdiction, or any devices intended for implantation in the human body. You agree to indemnify, defend and hold harmless **onsemi**, its directors, officers, employees, representatives, agents, subsidiaries, affiliates, distributors, and assigns, against any and all liabilities, losses, costs, damages, judgments, and expenses, arising out of any claim, demand, investigation, lawsuit, regulatory action or cause of action arising out of or associated with any unauthorized use, even if such claim alleges that **onsemi** was negligent regarding the design or manufacture of any products and/or the board.

This evaluation board/kit does not fall within the scope of the European Union directives regarding electromagnetic compatibility, restricted substances (RoHS), recycling (WEEE), FCC, CE or UL, and may not meet the technical requirements of these or other related directives.

FCC WARNING – This evaluation board/kit is intended for use for engineering development, demonstration, or evaluation purposes only and is not considered by **onsemi** to be a finished end product fit for general consumer use. It may generate, use, or radiate radio frequency energy and has not been tested for compliance with the limits of computing devices pursuant to part 15 of FCC rules, which are designed to provide reasonable protection against radio frequency interference. Operation of this equipment may cause interference with radio communications, in which case the user shall be responsible, at its expense, to take whatever measures may be required to correct this interference.

onsemi does not convey any license under its patent rights nor the rights of others.

LIMITATIONS OF LIABILITY: **onsemi** shall not be liable for any special, consequential, incidental, indirect or punitive damages, including, but not limited to the costs of requalification, delay, loss of profits or goodwill, arising out of or in connection with the board, even if **onsemi** is advised of the possibility of such damages. In no event shall **onsemi**'s aggregate liability from any obligation arising out of or in connection with the board, under any theory of liability, exceed the purchase price paid for the board, if any.

The board is provided to you subject to the license and other terms per **onsemi**'s standard terms and conditions of sale. For more information and documentation, please visit www.onsemi.com.

ADDITIONAL INFORMATION

TECHNICAL PUBLICATIONS:

Technical Library: www.onsemi.com/design/resources/technical-documentation
onsemi Website: www.onsemi.com

ONLINE SUPPORT: www.onsemi.com/support

For additional information, please contact your local Sales Representative at www.onsemi.com/support/sales