

Low Quiescent Current 2 MHz Automotive Synchronous Buck Controller

NCV891930

The NCV891930 is a 2 MHz fixed-frequency low quiescent current buck controller with spread spectrum that operates up to 38 V (typical). It may be synchronized to a clock or to separate NCV891930. Peak current mode control is employed for fast transient response and tight regulation over wide input voltage and output load ranges. Feedback compensation is internal to the device, permitting design simplification. The NCV891930 is capable of converting from an automotive input voltage range of 3.5 V (4.5 V during startup) to 18 V at a constant base switching frequency above the sensitive AM band, eliminating the need for costly filters and EMI countermeasures. The switching frequency folds back to 1 MHz for input voltages between 20 V up to 38 V (typical). Under load dump conditions up to 45 V the regulator shuts down. A high voltage bias regulator with automatic switchover to an external 5 V bias supply is used for improved efficiency. Several protection features such as UVLO, current limit, short circuit protection, and thermal shutdown are provided. High switching frequency produces low output voltage ripple even when using small inductor values and an all-ceramic output filter capacitor, forming a space-efficient switching solution. (410 kHz version offered with NCV881930)

Features

- 30 μ A Operating Current at No Load
- 75 mV Current Limit Sensing
- Capable of 45 V Load Dump
- Board Selectable Fixed Output Voltages With Lockout
- 2 MHz Operating Frequency
- Adaptive Non-Overlap Circuitry
- Integrated Spread Spectrum
- Logic level Enable Input Can be Tied Directly to Battery
- Short Circuit Protection Pulse Skip
- Battery monitoring for UVLO and Overvoltage Protection
- Thermal Shutdown (TSD)
- Adjustable Soft-Start
- SYNCI, SYNCO, Enable, RSTB, ROSC
- QFN Package with Wettable Flanks (pin edge plating)
- NCV Prefix for Automotive and Other Applications Requiring Unique Site and Control Change Requirements; AEC-Q100
- This Device is Pb-Free, Halogen Free/BFR Free and is RoHS Compliant

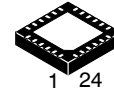
Typical Applications

- Radio and Infotainment
- Instrumentations & Clusters
- ADAS (safety applications)
- Telematics



ON Semiconductor®

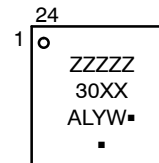
www.onsemi.com



QFNW24 4x4, 0.5P
CASE 484AE

Note: With wettable flanks – meets JEDEC MO220

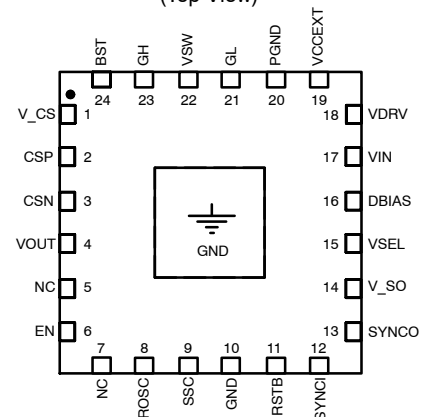
MARKING DIAGRAM



ZZZZ = V8919, 8919A
 XX = 00, 01
 A = Assembly Location
 L = Wafer Lot
 Y = Year
 W = Work Week
 ■ = Pb-Free Package
 (Note: Microdot may be in either location)

PIN CONNECTIONS

(Top View)



ORDERING INFORMATION

See detailed ordering and shipping information on page 31 of this data sheet.

NCV891930

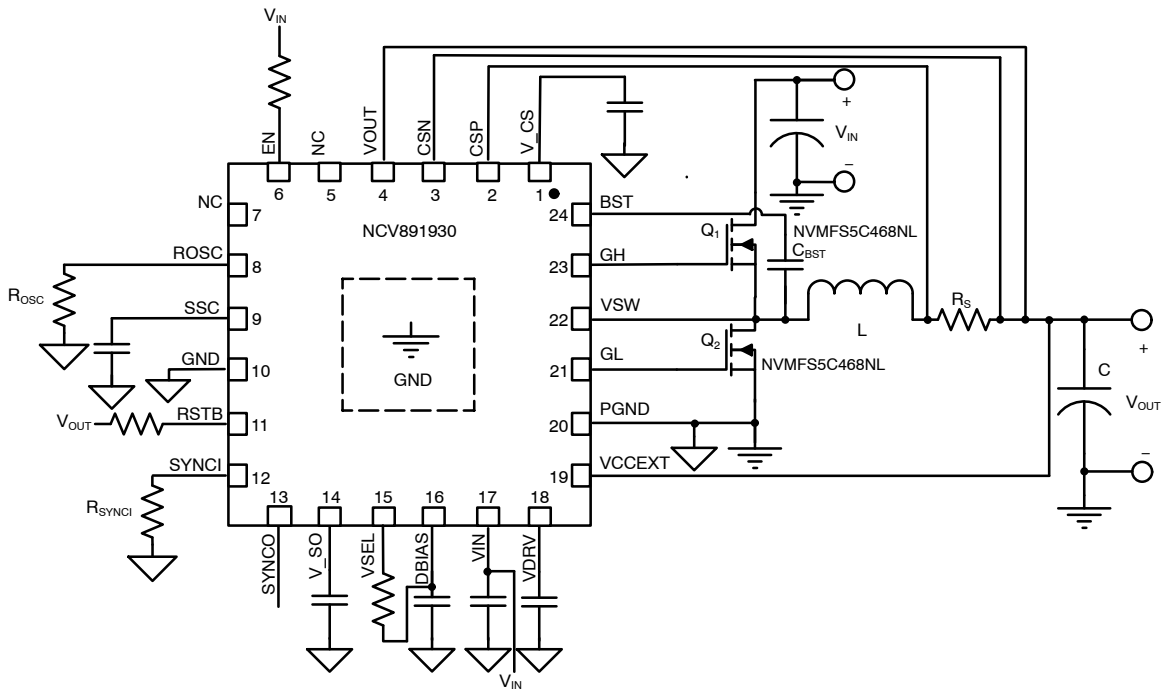


Figure 1. 5 V Application Schematic Example

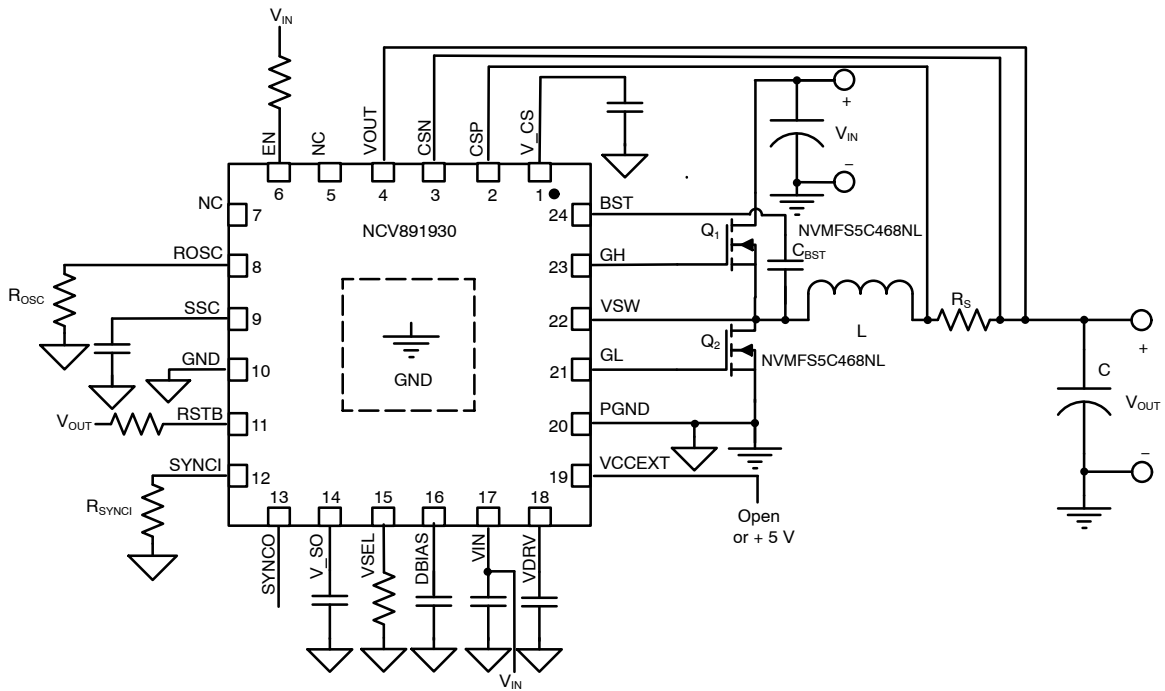


Figure 2. 3.3 V Application Schematic Example

NCV891930

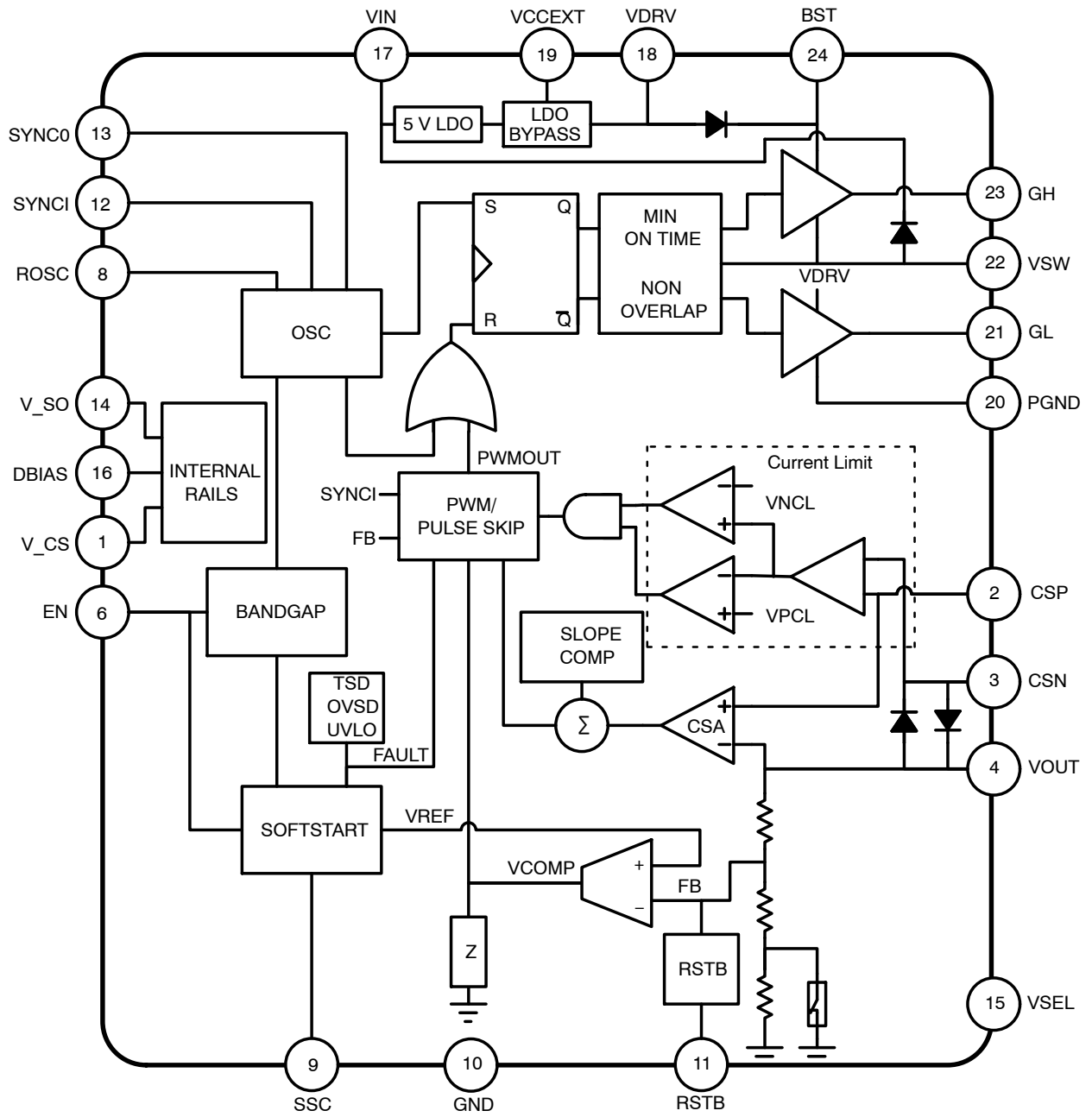


Figure 3. Simplified Block Diagram

NCV891930

PIN FUNCTION DESCRIPTION

Pin No. QFN24	Pin Name	Description
1	V_CS	Supply input for the internal current sense amplifier. Not intended for external use. Application board requires a 0.1 μ F decoupling capacitor located next to IC referenced to quiet GND
2	CSP	Differential current sense amplifier non-inverting input
3	CSN	Differential current sense amplifier inverting input
4	VOUT	SMPS's voltage feedback. Inverting input to the voltage error amplifier. Connect VOUT to nearest point-of-load
5	NC	No connection (Note 1)
6	EN	Logic level inputs for enabling the controller. May be connected to battery
7	NC	No Connection (Note 1)
8	ROSC	Use a resistor to ground to raise the frequency above default value
9	SSC	Soft-start current source output. A capacitor to ground sets the soft-start time
10	GND	Signal ground. Ground reference for the internal logic, analog circuitry and the compensators
11	RSTB	Reset with adjustable delay. Goes low when the output is out of regulation
12	SYNCl	A logic low enables Low I _Q capable operating mode. External synchronization is realized with an external clock. A logic high enables continuous synchronous operating mode (low I _Q mode is disabled). Ground this pin if not used
13	SYNCO	Synchronization output active in synchronous operation mode. Refer to table for activation delay when coming out of low I _Q mode. Connecting to the SYNCl pin of a downstream NCV891930 results in synchronized operation
14	V_SO	Supply voltage for the SYNCO output driver. Not intended for external use. Application board requires a 0.1 μ F decoupling capacitor located next to IC referenced to quiet GND
15	VSEL	Output programmed to VSEL_LO when connected to ground or when pin is not connected. Output programmed to VSEL_HI when connected to DBIAS via a 10 k Ω resistor (optional). Voltage setting option will be latched prior to PWM soft-start. Latch will be reset whenever the EN pin is toggled or during a UVLO event
16	DBIAS	IC internal power rail. Not intended for external use other than for VSEL. Application board requires a 0.1 μ F decoupling capacitor located next to IC referenced to quiet GND
17	VIN	Input voltage for controller, may be connected to battery
18	VDRV	5 V linear regulator supply for powering NFET gate drive circuitry and supply for bootstrap capacitor
19	VCCEXT	External 5 V bias supply. Overrides internal high voltage LDO when used. Application board requires a 1 μ F decoupling capacitor located next to IC referenced to PGND
20	PGND	Power ground. Ground reference for the high-current path including the N-FETs and output capacitor
21	GL	Push-pull driver output that swings between VDRV and PGND to drive the gate of an external low side N-FET of the synchronous buck power supply
22	VSW	Terminal of the high side push-pull gate driver connected to the source of the high side N-FET of the synchronous buck power supply
23	GH	Push-pull driver output that swings between SW and BST to drive the gate of an external high side N-FET of the synchronous buck power supply
24	BST	The BST pin is the supply rail for the gate drivers. A 0.1 μ F capacitor must be connected between this pin and the VSW pin. Bootstrap pin to be connected with an external capacitor for powering the high side NFET gate with SW + (VDRV - 0.5 V) and PGND. Blocking diode is internal to the IC
EPAD		Connect to pin 20 (electrical ground) and to a low thermal resistance path to the environment

1. True no connect. Printed circuit board traces are allowable.

NCV891930

MAXIMUM RATINGS (Voltages with respect to GND unless otherwise indicated)

Rating	Symbol	Value	Unit
DC Supply Voltage (Note 2)	EN, VIN, V_CS	-0.3 to 45	V
Pin Voltage $t \leq 50\text{ns}$	VSW	-0.3 to 40 -2	V
Pin Voltage	GH,BST	-0.3 to 45 -0.3 to 7 V with respect to VSW	V
Pin Voltage	CSN, CSP, VOUT	-0.3 to 10	V
Pin Voltage	VDRV, GL, VCCEXT	-0.3 to 7	V
Pin Voltage	RSTB	-0.3 to 6	V
Pin Voltage	DBIAS, ROSC, SSC, SYNCO, V_SO, VSEL	-0.3 to 3.6	V
Operating Junction Temperature	$T_{J(max)}$	-40 to 150	°C
Storage Temperature Range	T_{STG}	-65 to 150	°C
ESD Capability, Human Body Model (Note 3)	ESD _{HBM}	2	kV
Moisture Sensitivity Level	MSL	1	-
Lead Temperature Soldering Reflow (SMD Styles Only), Pb-Free Versions (Note 4)	T_{SLD}	260	°C

Stresses exceeding those listed in the Maximum Ratings table may damage the device. If any of these limits are exceeded, device functionality should not be assumed, damage may occur and reliability may be affected.

- Refer to ELECTRICAL CHARACTERISTICS, RECOMMENDED OPERATING RANGES and/or APPLICATION INFORMATION for Safe Operating parameters.
- This device series incorporates ESD protection and is tested by the following methods:
ESD Human Body Model tested per AEC-Q100-002 (EIA/JESD22-A114).
- For information, please refer to our Soldering and Mounting Techniques Reference Manual, SOLDERRM/D.

THERMAL CHARACTERISTICS

Rating	Symbol	Value	Unit
Thermal Characteristics (Note 5) Thermal Resistance, Junction-to-Ambient (Note 6) Thermal Characterization Parameter, Junction-to-Top (Note 6)	$R_{\theta JA}$ ψ_{JT}	50 13	°C/W

- Refer to ELECTRICAL CHARACTERISTICS, RECOMMENDED OPERATING RANGES and/or APPLICATION INFORMATION for Safe Operating parameters.
- Values based on copper area of 600 mm², 4 layer PCB, 0.062 inch FR-4 board with 2 oz. copper on top/bottom layers and 1 oz. copper on the inside layers in a still air environment with $T_A = 25^\circ\text{C}$.

NCV891930

ELECTRICAL CHARACTERISTICS ($V_{EN} = V_{BAT} = V_{IN} = 4.5\text{ V to }37\text{ V}$, $V_{BST} = V_{SW} + (V_{DRV} - 0.5\text{V})$, $C_{BST} = 0.1\ \mu\text{F}$, $C_{DRV} = 1\ \mu\text{F}$. Min/Max values are valid for the temperature range $-40^\circ\text{C} < T_J < 150^\circ\text{C}$ unless noted otherwise, and are guaranteed by test, design or statistical correlation.

Parameter	Test Conditions	Symbol	Min	Typ	Max	Unit
-----------	-----------------	--------	-----	-----	-----	------

VIN_LOW

VIN_low threshold	VIN falling VIN rising	V_{INLF} V_{INLR}	7.0 7.3	7.31 7.65	7.65 8.0	V
VIN_low hysteresis		V_{INLH}	0.3	0.37	0.45	V
Response time			–	5.8	–	μs

VIN FREQUENCY FOLDBACK MONITOR (VIN_HIGH)

Frequency foldback threshold	VIN rising VIN falling	V_{FLR} V_{FLF}	18.4 18.0	– –	20 19.8	V
Frequency foldback hysteresis		V_{FLHY}	0.15	0.32	0.45	V
Response time			–	16	–	μs

VIN OVERVOLTAGE SHUTDOWN MONITOR

Overvoltage stop threshold		V_{OVSP}	37.0	38.0	39.0	V
Overvoltage hysteresis		V_{OVHY}	0.5	1.0	1.5	V

QUIESCENT CURRENT

Quiescent current	VIN = 13 V, EN = 0 V, $T_J = 25^\circ\text{C}$	$I_{Q,SLEEP}$	–	6.0	–	μA
	VIN = 13 V, EN = 0 V, $-40^\circ\text{C} \leq T_J \leq 125^\circ\text{C}$	$I_{Q,SLEEP}$	–	6.0	10	μA
	VIN = 13 V, EN = 5 V, No switching, $T_J = 25^\circ\text{C}$	I_Q	–	30	40	μA
	VIN = 13 V, 100 μA load, VOUT = 5 V, VCCEXT = VOUT, EN = VIN, $T_{\text{ambient}} = 25^\circ\text{C}$ (Not production tested. Measured on demo board, refer to application note section)	I_{Q100}	–	82	100	μA

DBIAS

DBIAS voltage	$C_{DBIAS} = 0.1\ \mu\text{F}$	V_{DBIAS}	2.0	–	2.4	V
---------------	--------------------------------	-------------	-----	---	-----	---

UNDERVOLTAGE LOCKOUT (Note 8)

UVLO start threshold	VIN rising	V_{UVST}	4.0	–	4.5	V
UVLO stop threshold	VIN falling	V_{UVSP}	3.2	–	3.5	V
UVLO hysteresis		V_{UVHY}	–	0.9	–	V

ENABLE

Logic low threshold voltage	Will be disabled at maximum value	V_{ENLO}	0	–	0.8	V
Logic high threshold voltage	Will be enabled at minimum value	V_{ENHI}	1.4	–	–	V
Enable pin input Current	$V_{EN} = 5\text{ V}$	$E_{I,EN}$	–	0.125	0.26	μA

OUTPUT VOLTAGE

Output voltage during regulation	$I_{OUT} > 100\ \mu\text{A}$ NCV891930MW00R2G 3.3 V (VSEL = GND) 5.0 V (VSEL = DBIAS) NCV891930MW01R2G 3.65 V (VSEL = GND) 4.0 V (VSEL = DBIAS)	$V_{OUT,REG}$	3.234 4.90 3.577 3.92	3.30 5.00 3.65 4.00	3.366 5.10 3.723 4.08	V
VOUT–GND resistance	EN = V_{ENLO} , VIN > 4.5 V	$R_{ENLO,VOUT}$	70	100	130	Ω

VSEL

VSEL input low threshold voltage		V_{LVSEL}	0	–	0.8	V
----------------------------------	--	-------------	---	---	-----	---

NCV891930

ELECTRICAL CHARACTERISTICS ($V_{EN} = V_{BAT} = V_{IN} = 4.5\text{ V to }37\text{ V}$, $V_{BST} = V_{SW} + (V_{DRV} - 0.5\text{V})$, $C_{BST} = 0.1\ \mu\text{F}$, $C_{DRV} = 1\ \mu\text{F}$. Min/Max values are valid for the temperature range $-40^\circ\text{C} < T_J < 150^\circ\text{C}$ unless noted otherwise, and are guaranteed by test, design or statistical correlation.

Parameter	Test Conditions	Symbol	Min	Typ	Max	Unit
-----------	-----------------	--------	-----	-----	-----	------

VSEL

VSEL input high threshold voltage		V_{HVSEL}	2.0	–	3.3	V
VSEL pin input current	VSEL = DBIAS	$V_{I,SEL}$	–	0.25	0.37	μA

RESET

Reset threshold 1 (as a function of VOUT)	VOUT decreasing VOUT increasing	K_{UVFAL} K_{UVRIS}	90 90.5	92.5 –	95 97	%
Reset hysteresis (ratio of VOUT)		K_{RES_HYS}	0.5	–	2	%
Noise-filtering delay		t_{RES_FLT}	5	–	25	μs
Reset delay time	$I_{RSTB} = 1\ \text{mA}$ $I_{RSTB} = 500\ \mu\text{A}$ $I_{RSTB} = 100\ \mu\text{A}$	t_{RESET}	4 17	1.0 5 24	6 32	μs ms ms
Reset delay modes	Power good mode (no delay) Delay mode (see Detailed Operating Description)		1000 –	– –	– 600	μA
Reset output low level	$I_{RSTB} = 1\ \text{mA}$	V_{RESL}	–	–	0.4	V
Reset threshold 2 (as a function of VOUT)	VOUT increasing VOUT decreasing	K_{OVRIS} K_{OVFAL}	105 104	106.5 –	110 109	%
VOUT Output Clamp Current	$V_{OUT} = V_{OUT,reg}(typ) + 10\%$	$I_{CL,OUT}$	0.5	1.0	1.5	mA

ERROR AMPLIFIER

Transconductance (Note 3)	Internal to IC	$g_{M,OTA}$	–	26.6	–	μS
Compensation network	Internal to IC NCV891930MW00DRG 3.3 V 5.0 V	$R_{COMP,OTA}$	–	400	–	$\text{k}\Omega$
	NCV891930MW01DRG 3.65 V 4.0 V		–	506	–	
	Internal to IC (refer to application note section for die distributed capacitance modeling information)		$C_{COMP,OTA}$	–	190	
	Internal to IC	$R_{0,OTA}$	–	56.7	–	$\text{M}\Omega$
Slope compensation	NCV891930MW00DRG	S_a	–	29.4	–	mV/ μs
	NCV891930MW01DRG		–	39.0	–	

OSCILLATOR

Switching frequency	$R_{OSC} = \text{open}$ $4.5\text{ V} < V_{IN} < V_{FLR}/V_{FLF}$ $V_{FLR}/V_{FLF} < V_{IN} < V_{OVSP}$	f_{SW}	1.8 0.9	2.0 1.0	2.2 1.1	MHz
Switching frequency – R_{OSC}	$4.5\text{ V} < V_{IN} < V_{FLR}/V_{FLF}$, $R_{OSC} = 9.01\ \text{k}\Omega$	f_{ROSC}	2.3	2.5	2.8	MHz
R_{OSC} reference voltage	$R_{OSC} = 9.01\ \text{k}\Omega$	V_{ROSC}	0.36	0.40	0.44	V
Minimum off time		$t_{OFF,MIN}$	–	49	75	ns

SPREAD SPECTRUM

Modulation Frequency Range	$V_{INLF}/V_{INLR} < V_{IN} < V_{FLR}/V_{FLF}$	f_{MOD}	f_{sw}	–	$f_{sw} + 14\%$	MHz
----------------------------	--	-----------	----------	---	-----------------	-----

SYNCHRONIZATION

SYNCO output pulse duty ratio	$C_{LOAD} = 40\ \text{pF}$, $SYNCl = 0$ or $SYNCl = 1$	$D_{(SYNCO)}$	40	–	60	%
SYNCO output pulse fall time	$C_{LOAD} = 40\ \text{pF}$, 90% to 10%	$t_{R(SYNCO)}$	–	4.5	–	ns
SYNCO output pulse rise time	$C_{LOAD} = 40\ \text{pF}$, 10% to 90%	$t_{F(SYNCO)}$	–	7.0	–	ns
SYNCO Logic High	$I_{SYNCO} = 100\ \mu\text{A}$ source current	$V_{SYNCOHI}$	2.2	–	3.45	V

NCV891930

ELECTRICAL CHARACTERISTICS ($V_{EN} = V_{BAT} = V_{IN} = 4.5\text{ V to }37\text{ V}$, $V_{BST} = V_{SW} + (V_{DRV} - 0.5\text{V})$, $C_{BST} = 0.1\ \mu\text{F}$, $C_{DRV} = 1\ \mu\text{F}$. Min/Max values are valid for the temperature range $-40^{\circ}\text{C} < T_J < 150^{\circ}\text{C}$ unless noted otherwise, and are guaranteed by test, design or statistical correlation.

Parameter	Test Conditions	Symbol	Min	Typ	Max	Unit
-----------	-----------------	--------	-----	-----	-----	------

SYNCHRONIZATION

SYNCO Logic Low	$I_{SYNCO} = 2\text{ mA sink current}$	$V_{SYNCOLO}$	–	–	0.4	V
SYNCl pull-down resistance		R_{SYNCl}	50	100	200	k Ω
SYNCl input low threshold voltage		V_{LSYNCl}	0	–	0.8	V
SYNCl input high threshold voltage		V_{HSYNCl}	2.0	–	5.5	V
SYNCl high pulse width		t_{HSYNCl}	100	–	–	ns
External SYNCl Frequency		f_{SYNCl}	1.8	–	2.5	MHz
Master Reassertion Time	Time from last rising SYNCl edge to first un-synchronized turn-on. SYNCl = VLSYNCl after falling SYNCl edge SYNCl = VHSYNCl after falling SYNCl edge	$t_{i(SYNCl)}$	– –	1.25 1.75	– –	μs

SOFT-START CURRENT

Soft-start charge current		I_{SS}	6.9	10	14.3	μA
Soft-start complete threshold		V_{SS}	–	1.0	–	V
Soft-start delay	From EN = 1 until start of charging of soft-start capacitor (DBIAS external capacitor = 0.1 μF)	t_{SSDLY}	–	190	–	μs

PEAK CURRENT LIMITS

Positive current limit threshold voltage	$0 \leq (\text{CSP} - \text{CSN}) \leq 200\text{ mV}$ $1.2\text{ V} \leq \text{CSN} \leq 10.0\text{ V}$ $\text{VIN} < \text{VIN_HIGH}$	$V_{PCL,2M}$	67.5	75	82.5	mV
	$0 \leq (\text{CSP} - \text{CSN}) \leq 200\text{ mV}$ $1.2\text{ V} \leq \text{CSN} \leq 10.0\text{ V}$ $\text{VIN} > \text{VIN_HIGH}$ (Guaranteed by design)	$V_{PCL,1M}$	72	80	88	mV
Current limit response time	Comparator tripped until GH falling edge, $(V_{CSP} - V_{CSN}) = V_{CL(tp)} + 5\text{ mV}$	t_{CL}	–	39	125	ns
Negative current limit threshold voltage	$-200\text{ mV} \leq (\text{CSP} - \text{CSN}) \leq 0$ $1.2\text{ V} \leq \text{CSN} \leq 10.0\text{ V}$	V_{NCL}	–36	–52	–71	mV
Common-mode range			–	VOUT	–	V
CSP input bias source current			–	0.1	1.0	μA
CSN input bias source current		$I_{BIAS,CSN}$	–	30	–	μA

GATE DRIVERS

GH sourcing ON resistance	$V_{BST} - V_{GH} = 2\text{ V}$	$R_{GHSOURCE}$	1.6	2.5	5.3	Ω
GH sinking ON resistance	$V_{GH} - V_{SW} = 2\text{ V}$	R_{GHSINK}	1.3	2.5	4.3	Ω
GH-VSW resistance		$R_{GH,VSW}$	–	20	–	k Ω
GL sourcing ON resistance	$V_{DRV} - V_{GL} = 2\text{ V}$	$R_{GLSOURCE}$	1.6	2.5	5.3	Ω
GL sinking ON resistance	$V_{GL} = 2\text{ V}$	R_{GLSINK}	1.3	2.5	4.3	Ω
GL-PGND resistance		$R_{GL,PGND}$	–	20	–	k Ω

GATE DRIVE SUPPLY

Driving voltage dropout	$V_{IN} - V_{DRV}$, $I_{DRV} = 25\text{ mA}$	$V_{DRV,DO}$	–	0.3	0.6	V
Driving voltage source current	$V_{IN} - V_{DRV} = 1\text{ V}$	I_{DRV}	65	100	–	mA
Backdrive diode voltage drop	$V_{DRV} - V_{IN}$, $I_{d,bd} = 5\text{ mA}$	$V_{D,BD}$	–	–	0.7	V
Driving voltage	$I_{DRV} = 0.1 - 25\text{ mA}$	V_{DRV}	4.75	5.00	5.30	V

NCV891930

ELECTRICAL CHARACTERISTICS ($V_{EN} = V_{BAT} = V_{IN} = 4.5\text{ V to }37\text{ V}$, $V_{BST} = V_{SW} + (V_{DRV} - 0.5\text{V})$, $C_{BST} = 0.1\ \mu\text{F}$, $C_{DRV} = 1\ \mu\text{F}$. Min/Max values are valid for the temperature range $-40^{\circ}\text{C} < T_J < 150^{\circ}\text{C}$ unless noted otherwise, and are guaranteed by test, design or statistical correlation.

Parameter	Test Conditions	Symbol	Min	Typ	Max	Unit
-----------	-----------------	--------	-----	-----	-----	------

GATE DRIVE SUPPLY

VDRV POR start threshold	(Note 8)	V_{DRVST}	3.75	4.0	4.25	V
VDRV POR stop threshold	(Note 8)	V_{DRVSP}	2.85	3.1	3.35	V
LDO bypass start threshold	VCCEXT rising		4.48	–	4.80	V
LDO bypass stop threshold	VCCEXT falling		4.31	–	4.65	V
LDO bypass input current	Pulse skip, VCCEXT = 5 V		–	3.1	–	μA
LDO bypass $R_{DS(on)}$	VCCEXT = 5 V, VDRV load = 50 mA		1.07	1.93	2.79	Ω

THERMAL SHUTDOWN

Thermal shutdown threshold	T_J rising	T_{SD}	155	170	190	$^{\circ}\text{C}$
Thermal shutdown hysteresis	T_J falling	$T_{SD,HYS}$	5	15	20	$^{\circ}\text{C}$

Product parametric performance is indicated in the Electrical Characteristics for the listed test conditions, unless noted. Product performance may not be indicated by the Electrical Characteristics if operated under different conditions.

7. Spread spectrum function will be disabled when IC operated using external frequency synchronization.
8. Operating with VIN near IC UVLO thresholds may result in insufficient gate drive voltage drive amplitude to permit switching of external MOSFETs. Use of an external bias voltage to maintain sufficient VDRV voltage may be required.

FUNCTIONALITY INFORMATION TABLE

VIN (V)	SYNCl pin	Behaviour	Frequency	SYNCl FUNCTION	SYNCO	Spread Spectrum	ROSC
VIN < Vin_low	Logic-0	Synchronous mode, recirculation FET turns-off when -50 mV current sense voltage is detected. Pulse skip not allowed when VIN < Vin_low	2 MHz * or less. Minimum off-time may be skipped depending on VIN, output voltage option and operating current.	Disabled	Enabled, 2 MHz	Disabled	Disabled
	Logic-1						
	F_sync	F_sync if minimum off-time is not skipped	Enabled	F_sync			
Vin_low < VIN < Vin_high (No Pulse Skip Condition)	Logic-0	Synchronous mode, recirculation FET turns-off when when < 0 V current sense voltage is detected.	f_ROSC with spread spectrum. Upon exiting Pulse Skip mode, first 1-3 pulses 500 kHz followed by 2 MHz pulses.	Disabled	Enabled, follows spread spectrum	Enabled When exiting Pulse Skip mode, function resumes within 14.2 MHz pulses.	Enabled Disabled during 1-3 500 kHz pulses upon exiting Pulse Skip Mode.
	Logic-1	Forced PWM mode, recirculation FET turns-off when -50 mV current sense voltage is detected.	f_ROSC with spread spectrum	Disabled	Enabled	Enabled	Enabled
	F_sync		F_sync	Enabled	F_sync	Disabled	Disabled
Vin_low < VIN < Vin_high (Pulse Skip Condition)	Logic-0	Pulse skip mode	Disabled	Disabled	Disabled	Disabled	Disabled
VIN > Vin_high	X	Synchronous mode, recirculation FET turns-off when -50 mV current sense voltage is detected. Pulse skip not allowed when VIN > Vin_high	1 MHz	Disabled	Enabled, 2 MHz	Disabled	Disabled
Soft-start	X	Forced PWM mode with pulse skip allowed, recirculation FET turns-off when when < 0 V current sense voltage is detected	2 MHz	Disabled	Disabled	Disabled	Disabled
Vout undervoltage (K_UV)	X	RSTB activated.	Fixed frequency	No change in behaviour	No change in behaviour	Disabled	No change in behaviour
Vout overvoltage (K_OV)	X	RSB activated.	No PWM	No PWM	No Change in behaviour	No PWM	No PWM

*GH off pulses will be skipped to maintain output voltage regulation whenever GH toff is less than toff,MIN occurs.

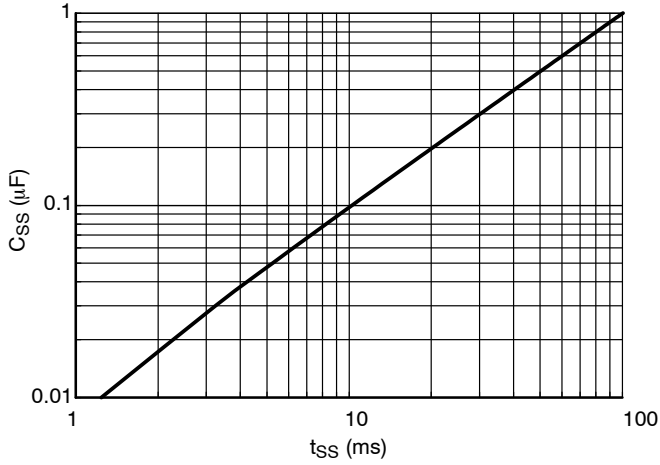


Figure 4. Soft-Start Time vs Capacitance

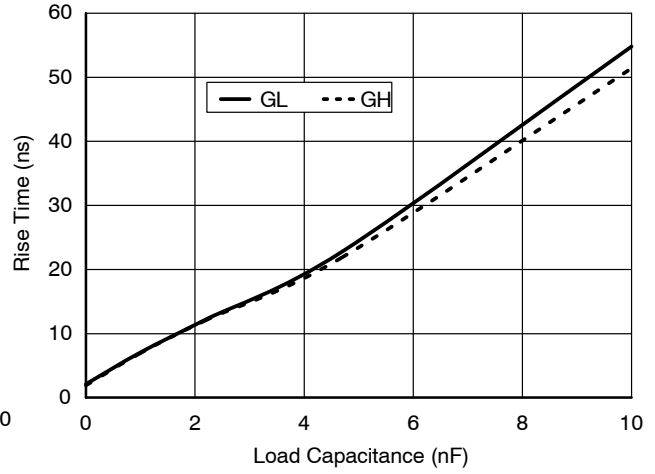


Figure 5. Driver Rise Time vs Load Capacitance

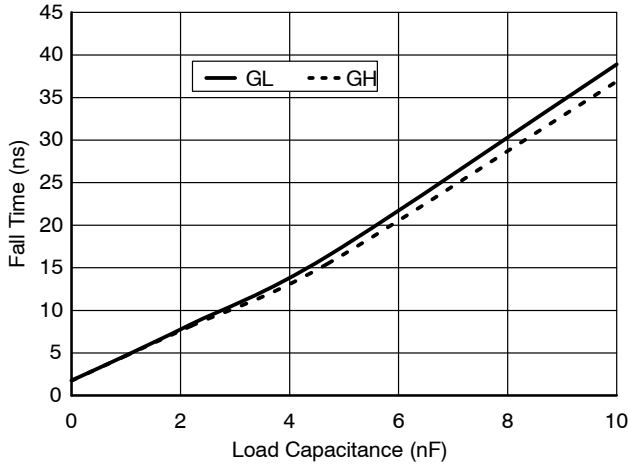


Figure 6. Driver Fall Time vs Load Capacitance

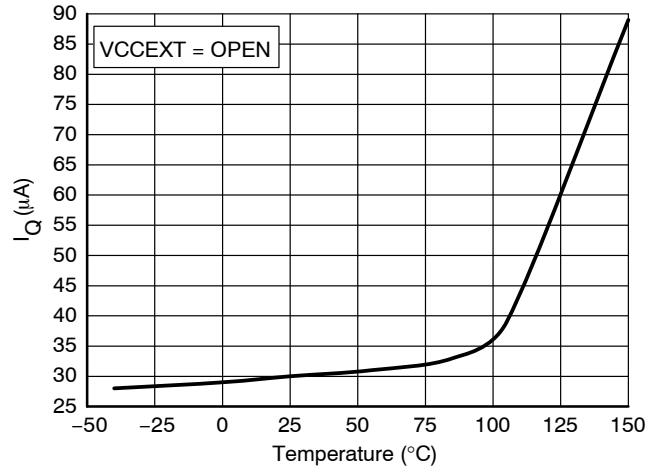


Figure 7. Operating Quiescent Current vs Temperature (5 V/100 μ A)

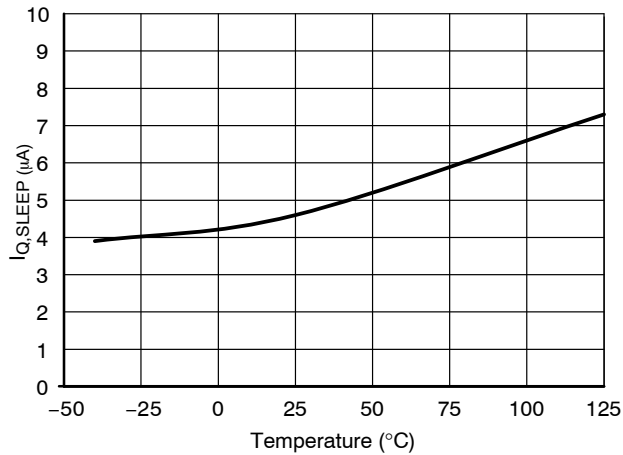


Figure 8. Quiescent Current (Shutdown) vs Temperature

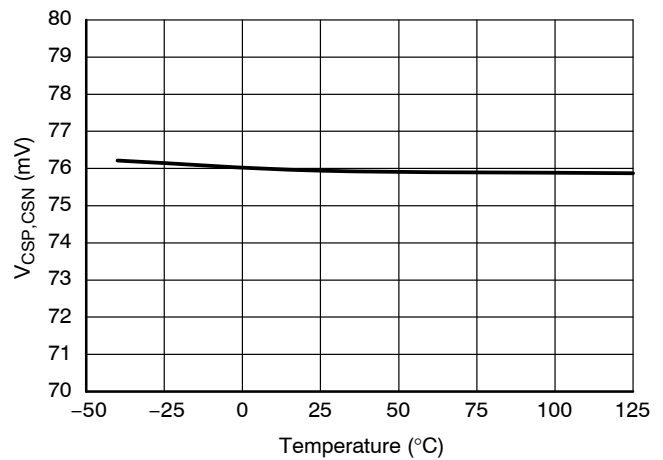


Figure 9. Peak Current-Limit Threshold vs Temperature

NCV891930

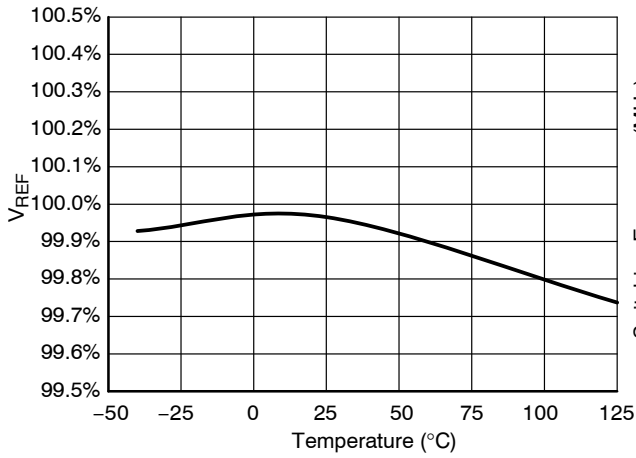


Figure 10. VREF vs Temperature

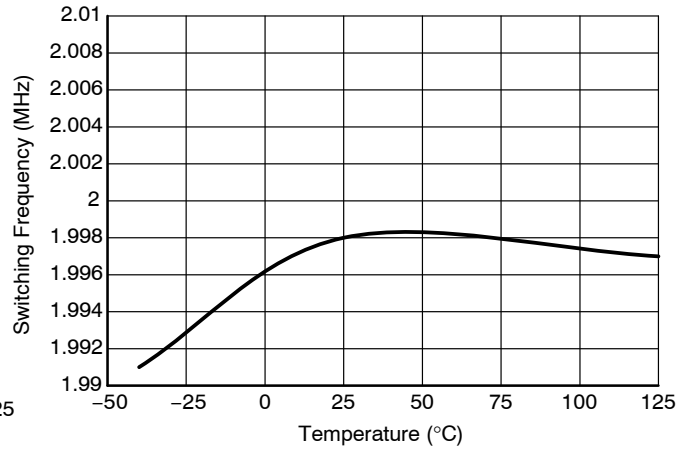


Figure 11. Oscillator Frequency vs Temperature

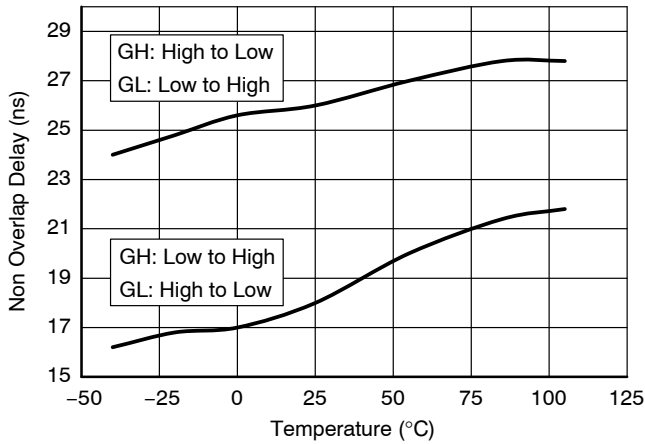


Figure 12. Non-Overlap Delay vs Temperature

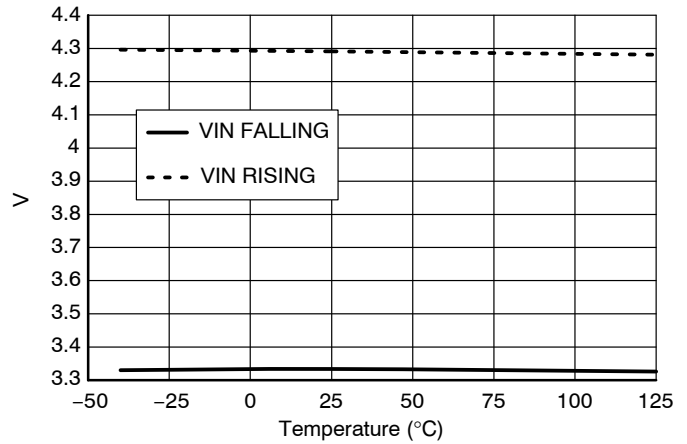


Figure 13. UVLO vs Junction Temperature

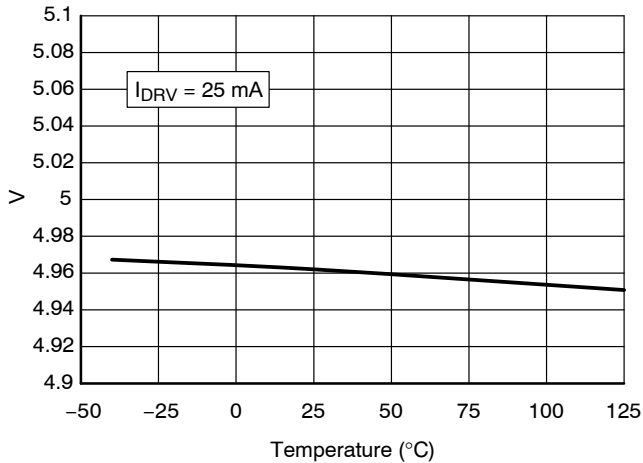


Figure 14. VDRV vs Temperature

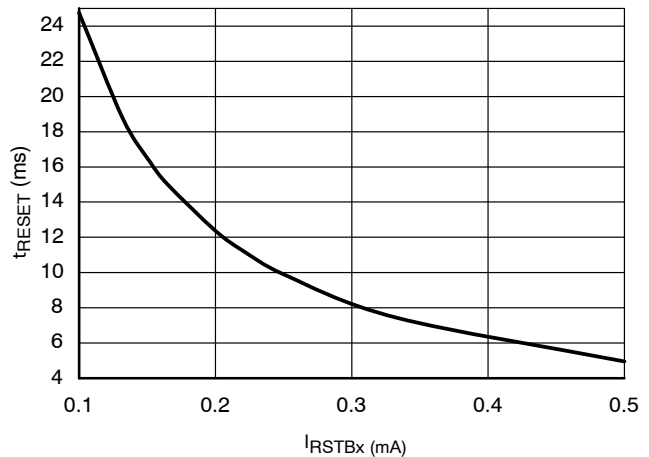


Figure 15. Reset Delay Time vs I_{RSTBx}

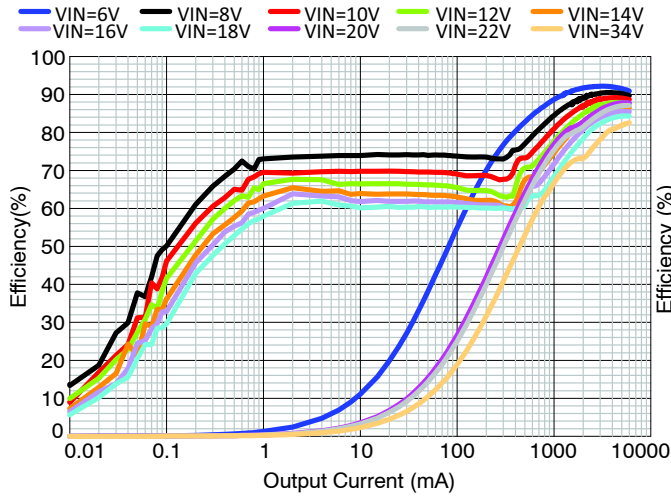


Figure 16. 3.3 V Demo Board Efficiency (SYNCl = 0 V)

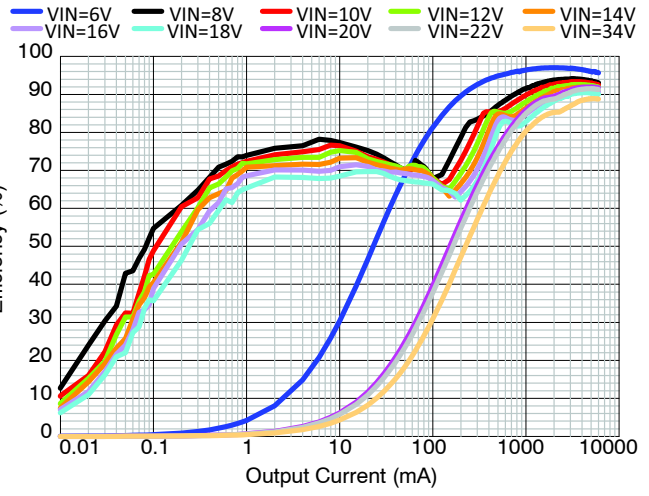


Figure 17. 5 V Demo Board Efficiency (SYNCl = 0 V)

DETAILED OPERATING DESCRIPTION

General

Preset internal slope and feedback loop compensation results in predetermined values for current sense resistors and output filtering.

A capacitor technology mix of ceramic and aluminum polymer or solid aluminum electrolytic capacitors results in a cost effective solution. Non-solid aluminum electrolytic capacitors are not recommended due to their large cold temperature ESR properties. An all ceramic solution filter implementation using 10 μ F capacitor (like the GCM32DR71C106KA37) was considered for Table 1 and Table 2 for a design objective of $\pm 3\%$ transient voltage for a 50% load transient. Tolerances used in determining the number of required capacitors were:

- Initial tolerance
 - ◆ -10%
- Temperature tolerance

- ◆ -10% at 125°C
- DC bias voltage
 - ◆ -0.6% for 3.3 V, -1.0% of 3.65 V, -1.5% for 4 V, -3.1% for 5 V
- AC RMS voltage
 - ◆ -4.4%

Additional tolerances such as aging may need to be considered during the design phase.

At higher currents, optimal inductor and current sense resistor values may become limited. It may be necessary to parallel 3 resistor values to achieve the desired current sense resistor value. The manufacturer’s inductor tolerance and properties must be considered when determining the current sense resistor for desired current limiting under worst case component values.

Table 1. MW891930MW00R2G VALUE RECOMMENDATIONS

Output Current (A)	MOSFET	3.3 V Option			5 V Option		
		Inductor Value (μ H)	Current Sense Resistor (Ω)	Output Capacitance (ceramic) (μ F)	Inductor Value (μ H)	Current Sense Resistor (Ω)	Output Capacitance (Ceramic) (μ F)
2	NVTFS5C478NL	2.2	0.028	70	3.3	0.028	50
	NVMFD5C470NL						
3	NVTFS5C478NL	1.5	0.018	110	2.2	0.0195	80
	NVMFD5C470NL						
4	NVTFS5C478NL	1.0	0.0135	140	1.5	0.0135	110
5	NVMFS5C468NL	0.80	0.011	180	1.2	0.011	120
6	NVMFS5C468NL	0.65	0.009	220	1.0	0.009	150

Table 2. MW891930MW01R2G VALUE RECOMMENDATIONS

Output Current (A)	MOSFET	3.65 V Option			4 V Option		
		Inductor Value (μH)	Current Sense Resistor (Ω)	Output Capacitance (ceramic) (μF)	Inductor Value (μH)	Current Sense Resistor (Ω)	Output Capacitance (Ceramic) (μF)
2	NVTFS5C478NL	2.2	0.028	80	2.2	0.028	70
	NVMFD5C470NL						
3	NVTFS5C478NL	1.5	0.018	110	1.5	0.018	100
	NVMFD5C470NL						
4	NVTFS5C478NL	1.0	0.0135	150	1.2	0.0135	130
5	NVMFS5C468NL	0.80	0.011	190	1.0	0.011	170
6	NVMFS5C468NL	0.80	0.009	220	0.8	0.009	200

Input Voltage

An undervoltage lockout (UVLO) circuit monitors the input and can inhibit switching and reset the soft-start circuit if there is insufficient voltage for proper regulation. Depending on the output conditions (voltage option and loading), the NCV891930 may lose regulation and run in drop-out mode before reaching the UVLO threshold. When the input voltage is sufficiently low so that the part cannot regulate due to maximum duty cycle limitation, the high-side MOSFET can be kept on continuously for up to 32 clock cycles (16 μs), to help lower the minimum voltage at which the controller loses regulation.

An overvoltage monitoring circuit automatically terminates switching and disables the output if the input exceeds 37 V (minimum). However, the NCV891930 can withstand input voltages up to 45 V.

GL has a ~140 ns minimum pulse width requirement when $V_{IN} < V_{IN_LOW}$. Depending on the duty ratio requirement

resulting from V_{IN} , output voltage and operating losses, one or more GH turn-off may be skipped to maintain output regulation. Despite the default 2 MHz operating frequency, this skipped pulse will result in the power stage exhibiting a switching frequency of 1 MHz or less.

To avoid skipping switching pulses and entering an uncontrolled mode of operation, the switching frequency is reduced by a factor of 2 when input voltage exceeds the V_{IN} frequency foldback threshold (see Figure 18 below). Frequency reduction is automatically terminated when the input voltage drops back to below the V_{IN} frequency voltage foldback threshold. This also helps limit the MOSFET switching power losses and reduce losses for generating the drive voltage for the Power Switches at high input voltage. Above the frequency foldback threshold, improved efficiency may be expected due to the lower switching frequency.

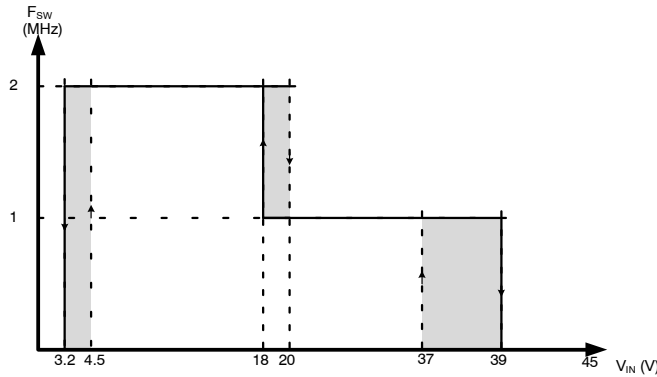


Figure 18. NCV891930 Worst-Case Switching Frequency Profile vs Input Voltage

Output Voltage

The output may be programmed to VSEL_LO when VSEL is ground referenced.

When VSEL is connected to DBIAS via an optional 10 kΩ resistor, the output voltage is programmed to VSEL_HI.

The output voltage setting option must be selected prior to enabling the IC via the EN pin. The voltage setting option will be latched prior to initiation of soft-start. The voltage option latch will be reset whenever the EN pin is toggled or during a UVLO event.

IC-VIN

A 1 μF decoupling capacitor is recommended between IC-VIN and ground. PCB layout inductance separating this decoupling capacitor and the input EMI capacitor may result in low amplitude high-Q ringing. A 1 Ω damping resistor between the PCB VIN and IC-VIN is recommended.

Switching noise will be greater at the high side drain than at the input EMI ceramic filter capacitor. The trace providing voltage to IC-VIN should originate from the EMI ceramic filter capacitor. The VOUT pin sinks 0 mA under typical

conditions when the SYNCI pin is logic-low. The VOUT pin sinks 1 mA when any of the following conditions are present:

- SYNCI = logic-high
- SYNCI is driven by an external clock
- VIN < VIN_low threshold
- VIN > frequency foldback threshold voltage

VCCEXT

VIN supplies VDRV and logic power via the IC’s internal LDO. VCCEXT pin is ignored if connected to a voltage less than 5 V or is left unconnected. For improved efficiency, an external 5 V source may be connected to VCCEXT to permit bypassing of the internal LDO (Table 3). The LDO bypass efficiency improvement is reduced at lower currents when the IC enters pulse-skip mode. An IC power consumption reduction of about 250 mW has been measured on a demo board configured with NVMFS5C468NL power transistors at an input voltage of 13 V.

Table 3. NCV891930MW00R2G/AR2G 5 V DEMO BOARD TYPICAL IC POWER CONSUMPTION IMPROVEMENT

VCCEXT = VOUT vs VCCEXT = OPEN, I _{OUT} > 1 A							
VIN (V)	6	8	10	12	14	16	18
mW	9.1	88.7	151	213	279	386	448

When the NCV891930MW00R2G/AR2G is configured for a 5 V output (VSEL connected to DBIAS) and VCCEXT is connected to the power supply’s output, VFB and CSN traces must be independent from the VCCEXT power trace. VDRV circuitry gate drive current pulses circulate through the VCCEXT PCB trace. Voltage disturbance from the trace parasitic layout inductance will distort CSN and IC-VOUT measurements.

The IC structure has a 2 series anode-cathode diode path between pins VCCEXT and VIN (Figure 19). If the controller VIN power source is disconnected while VCCEXT is connected to an independent external 5 V supply, the diode path will deliver current to the converter’s input. VIN pin may remain biased to VCCEXT minus 2 diode drops and could supply other devices sharing the same rail as the IC. To avoid unpredictable operating behaviour, the EN pin must be set to a logic-low state to disable PWM operation upon disconnection of the IC’s power source and independent VCCEXT power source must be disabled if the IC VIN rail is shared by other devices.

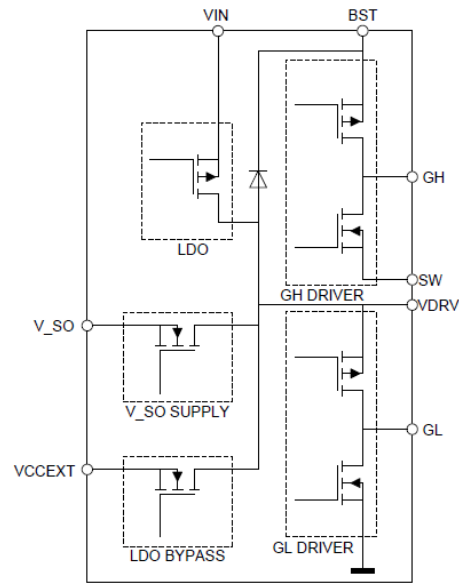


Figure 19. VCCEXT to VIN Diode Path

Soft-Start

The NCV891930 features an externally adjustable soft-start function, which reduces inrush current and overshoot of the output voltage. Figure 20 shows a typical soft-start sequence.

Soft-start is achieved by charging an external soft-start capacitor connected to the SSC pin via an internal 10 mA current source. Should the FB voltage slew rate be less than that of the SSC, the SSC pin will be clamped to $V(\text{FB}) + 123 \text{ mV}$. Once the SSC voltage is greater than 0.75 V , the clamp is released.

During soft-start, the SYNCI function is disabled and the controller will operate in diode-emulation mode. Pulse skip is allowed. The logic will enable the SYNCI function once SSC voltage exceeds 1.075 V .

Following activation of the EN pin, there will be eight $\sim 250 \text{ ns}$ GL pulses (500 kHz repetition rate) prior to initiation of the soft-start to charge the bootstrap capacitor. During this event, there will be no GH pulses. If $\text{VOUT} < \sim 0.2 \text{ V}$ at EN activation, the pulses are not required and the logic may disable the eight GL pulses.

Should the power supply output voltage foldback from current limiting, it is necessary to prevent the feedback opamp from clamping high to avoid output overshoot when current limiting ends. If the opamp feedback pin is less than 750 mV , the SSC pin voltage will be discharged to the opamp feedback voltage + 123 mV (Figure 20). Voltage returns to nominal regulation via soft-start behaviour.

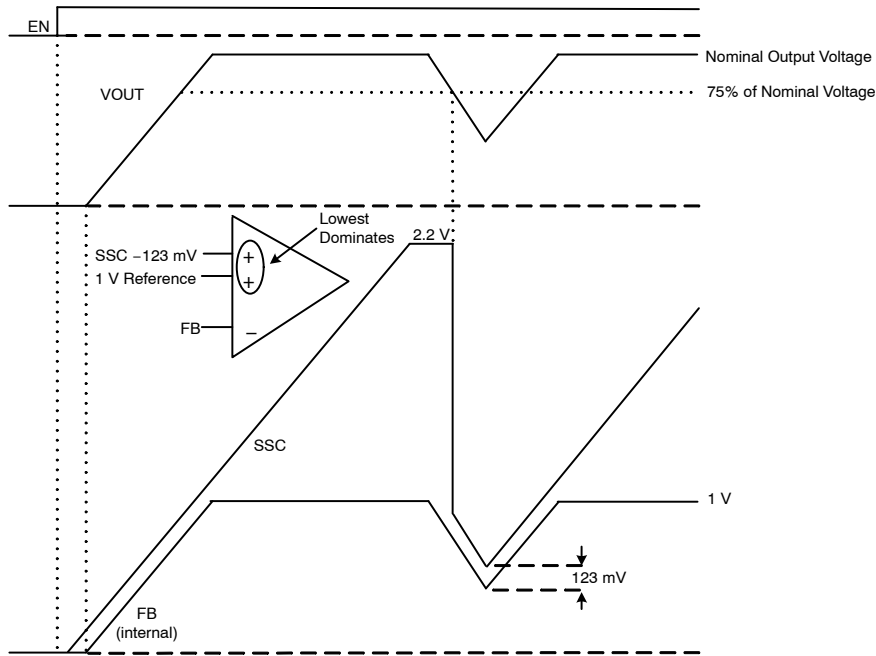


Figure 20. Soft-Start Behaviour During Output Overload Current Limiting Event

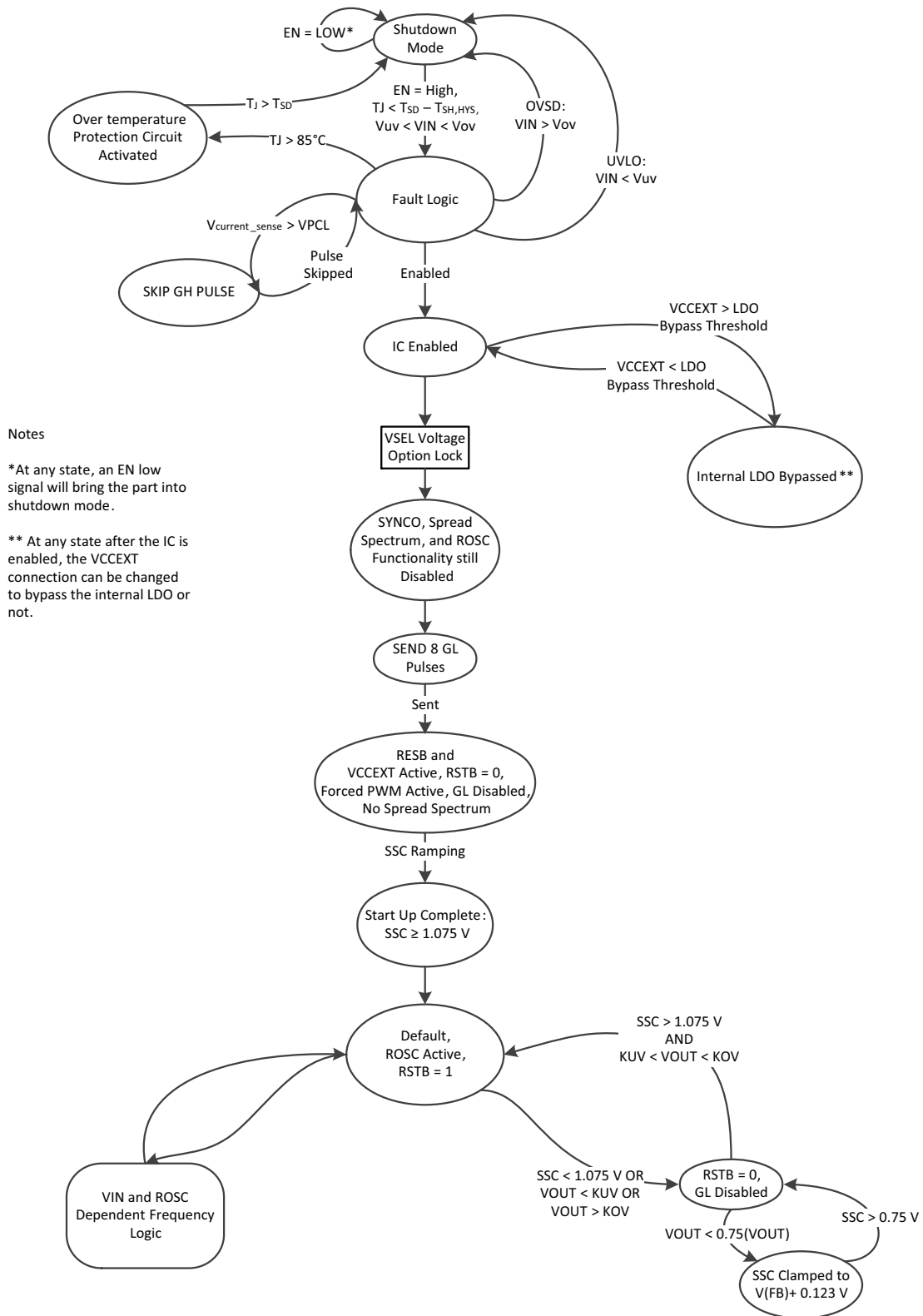
Expression t_{SS} may be used to calculate soft-start time for soft-start capacitor C_{SSC} (Farads).

$$t_{\text{SS}} = t_{\text{SSDLY}} + C_{\text{SSC}} \frac{1 \text{ V}}{10 \mu\text{A}} \text{ (s)} \tag{eq. 1}$$

NCV891930

STATE DIAGRAM

Figures 21 and 22 and illustrate the state diagram for the NCV891930.

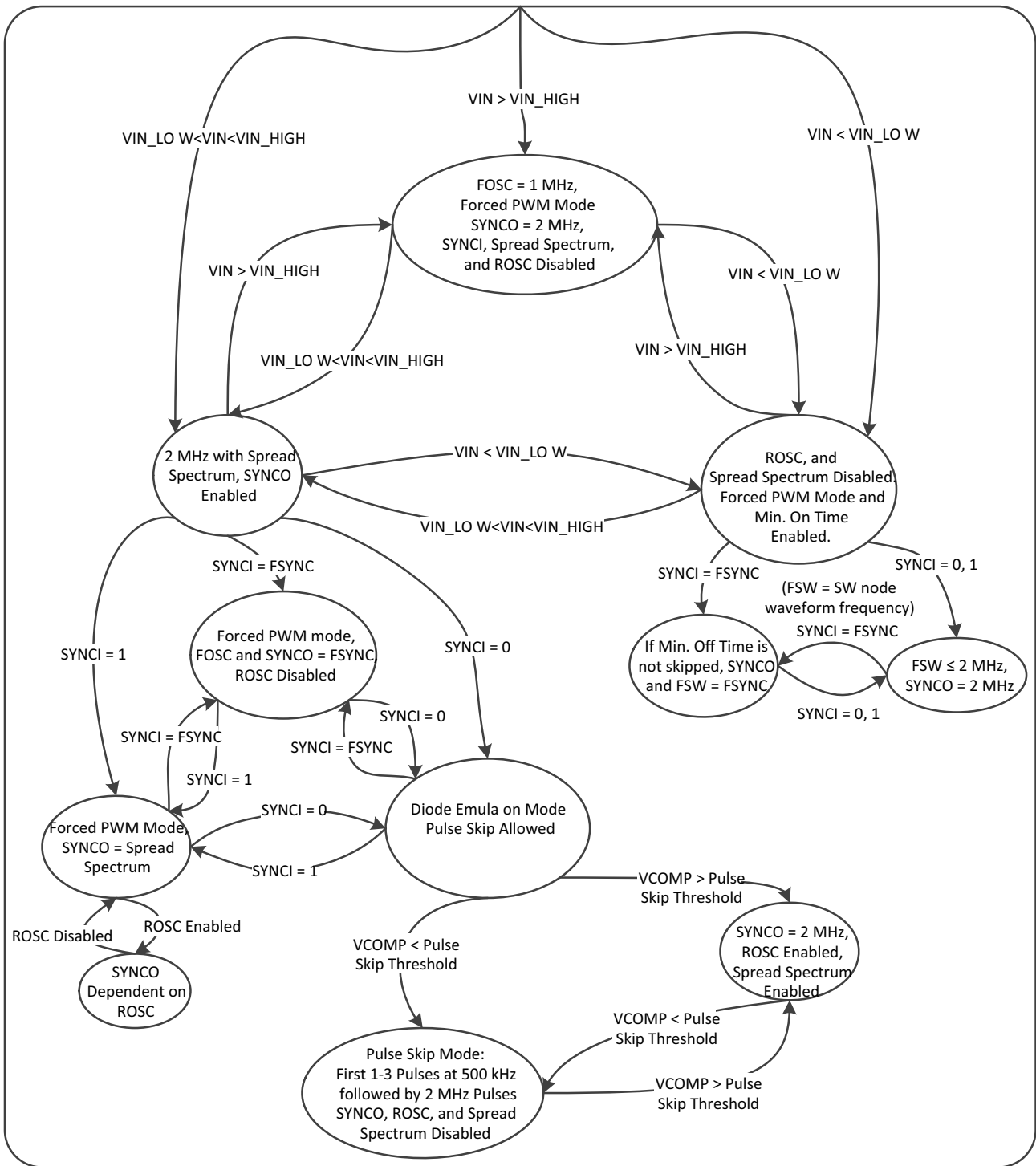


Notes

*At any state, an EN low signal will bring the part into shutdown mode.

** At any state after the IC is enabled, the VCCEXT connection can be changed to bypass the internal LDO or not.

Figure 21. NCV891930 State Diagram



PULSE SKIP THRESHOLD IS AN INTERNAL VALUE

Figure 22. NCV891930 State Diagram – Dependent Switching Logic

Peak Current Mode Control

The NCV891930 incorporates a current mode control scheme, in which the PWM ramp signal is derived from the power switch current. This ramp signal is compared to the output of the error amplifier to control the on – time of the power switch. The oscillator is used as the frequency clock to ensure a PWM switching operation. The resulting control scheme features several advantages over conventional voltage mode control. First, derived directly from the inductor, the ramp signal responds immediately to line voltage transients. This eliminates the delay caused by the output filter and the error amplifier, which is commonly found in voltage mode controllers. The second benefit comes from inherent pulse – by – pulse current limiting by merely clamping the peak switching current. Finally, since current mode commands an output current rather than voltage, the filter offers only a single pole to the feedback loop. This permits simpler internal compensation.

A fixed slope compensation signal is generated internally and added to the sensed current to avoid increased output voltage ripple due to bifurcation of inductor ripple current at duty cycles above 50%. The fixed amplitude of the slope compensation signal requires the inductor to be less than a maximum value, depending on output voltage, in order to avoid sub-harmonic oscillations. Recommended inductor values are described in Table 2. Other values may be possible.

Current Sensing (CSP–CSN):

V_CS is derived from VIN. It is a supply input for the internal current sense amplifier and should never be used to power external circuitry. The V_CS ceramic decoupling capacitor a minimum of 50 V voltage rating.

Kelvin connections to current sense resistor (RSNS) are required. CSP–CSN feedback nodes must not be in-line with the power path. An example of a good design practice is to connect the sense lines at the center of the inside edge of the sense resistors (Figure 23).

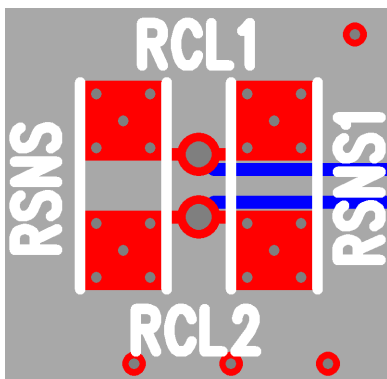


Figure 23. Kelvin Sense Location for Parallel Current Sense Resistors

As a result of the IC’s CSP–CSN high input impedance, noise reduction measures should be used for effective noise immunity from the current sense feedback traces.

- Current sense resistors have a small inherent parasitic inductance that will result in a small voltage excursion equaling $L_{RSNS} \cdot \delta I_L / \delta t$ distortion superimposed on the triangular current sense waveform. The differential noise resulting from such a distortion can be minimized with the use of parallel sense resistors. The amplitude of such a distortion is difficult to predict (data not normally provided in resistor datasheets), validation of current limit response during power supply bench evaluation is required
- Trace routing must not be adjacent to a switch node or other high noise trace
- Traces should be coincident with of each other on inner layers to minimize coupling from external radiated fields. Traces should be shielded by a top or bottom ground layer (use both layers when possible)
 - ♦ On layers having the feedback traces, there should be a ground pour next on each side of the traces for additional shielding
- It is recommended that an output filter ceramic capacitor be located near RSNS/RSNS1 to help mitigate output switching noise at RSF2
- An optional R–C–R π -filter on the IC’s CSP/CSN pins (Figure 24) is sometimes used to filter differential and common mode noise
 - ♦ To avoid creating a common-mode noise filter imbalance at the IC current sense pins, simple RC differential filters are not recommended
 - ♦ The π -filter must be adjacent to the IC to minimize field induced noise sensitivity on the high impedance side (IC side) of the filter
 - ♦ If used, a π -filter –3 dB roll-off frequency > 1 MHz is recommended to prevent the filter transfer function zero from influencing the feedback loop response. RSF1 = RSF2 = 49.9 Ω and CSF1 = 100 pF is a recommended starting point

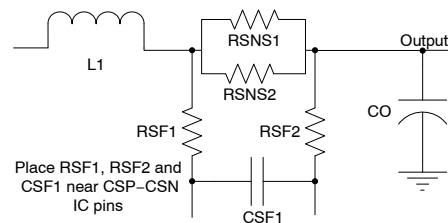


Figure 24. Current Sense Resistor π -Filter

CSN pin sources a bias current of amplitude $I_{BIAS,CSN}$. RSF2 will create a voltage offset on the CSP–CSN differential current sense current. This offset may be taken into account using the following current CSP–CSN current sense expression.

$$I_{L_PEAK} = \frac{V_{CSP_CSN}}{RSNS} = \frac{V_{RSNS} + R_{SF2} \cdot I_{BIAS_CSN}}{RSNS} \quad (\text{eq. 1})$$

There is a diode path between IC–CSN and IC–VOUT. This diode path could conduct and interfere with the feedback loop if an appreciable voltage drop is present between the 2 pins. Intentional voltage drop on the power path between the CSN side of the current sense resistors (CSN) and the IC–VOUT feedback kelvin point is to be avoided.

Short Circuit Protection

When the peak inductor current reaches the current limit threshold, duty–cycle limiting occurs and output voltage will be foldback accordingly.

A GH pulse skip will occur under severe short–circuit conditions if the inductor current exceeds the peak current limit threshold at the beginning of the next GH activation cycle. GL pulses will continue to operate during this GH pulse skip operation.

Reset

The RSTB pin is a high impedance node. To minimize noise coupling onto its PCB connected trace, care must be exercised during PCB layout to avoid running the trace adjacent to a switching node.

When EN is in low–state irrespective of VIN voltage, RSTB is floating (high impedance).

When the voltage on the VOUT pin is out of regulation (below K_{UVFALL} or greater than K_{UVRIS}), the open–drain output RSTBx is asserted (pulled low) after a short noise–filtering delay (t_{RES_FILT}). A pull–up resistor is required to generate a logic–high signal on this open–drain pin and to set the delay time, simplifying the connection to a micro–controller. The pin can be left unconnected if the function is unused.

The RSTB signal can either be used as a reset with delay or as a power good (no delay). The delay is determined by the current into the RSTB pin, set by a resistor, show in Figure 25.

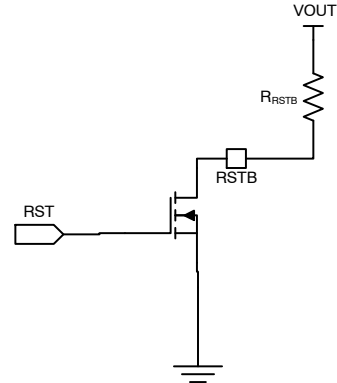


Figure 25. Reset Delay Time

Use the following equation to determine the ideal reset delay time using currents less than 500 μA :

$$t_{RESET} = \frac{9.9}{4 \cdot I_{RSTBx}} \quad (\text{eq. 2})$$

where:

t_{RESET} : ideal reset delay time (ms)

I_{RSTBx} : current into the RSTB pin (mA)

Using $I_{RSTB} = 1 \text{ mA}$ removes the delay and allows the reset to function as a “power good” pin.

The RSTB resistor is commonly tied to VOUT. A RSTB resistor value setting the current at the reset pin in the range of 0.6 mA to 1 mA is not recommended due to the variation of the threshold between a set delay time and power good. Depending on the output voltage option, typical reset delay times pull–up can be achieved with the following resistor values.

Table 4.

R_{RSTB} (k Ω , VOUT Pull–Up)	t_{RESET} (ms) – VSEL_LO (VOUT = 3.3 V)	t_{RESET} (ms) – VSEL_HI (VOUT = 5 V)
6.65	5	–
10	7.5	5
15	11.3	7.4
20	15.0	9.9
24.9	18.7	12.3
33.2	24.9	16.4

In the event of an overvoltage ($V_{OUT} > K_{UVRIS}$), an internal comparator enables a 1 mA current source discharge path on VOUT within typically 2.7 μ s. The overvoltage comparator is set 7.5% above the 1 V feedback voltage reference (i.e. 1.075 V) and has a 68 mV hysteresis.

Enable

An EN pin ground referenced resistor is not required. The IC has a pull-down current ($E_{I,EN}$). For low system I_Q operating requirements, such a resistor would result in a larger input quiescent current consumption when the IC is in an enabled state.

The NCV891930 is designed to accept either a logic-level signal or battery voltage as an Enable signal. However, if voltages above 45 V are expected, EN should be tied to VIN through a 10 k Ω resistor to limit the current flowing into the pin’s internal ESD clamp.

A low signal on Enable induces a shutdown mode which shuts off the regulator and minimizes its supply current to less than 6 μ A by disabling all functions. Pull-down R_{ENLO_VOUT} between IC-VOUT and IC-GND is present if $V_{IN} > 4.5$ V to permit discharging the power supply output voltage.

Once the IC is enabled, a soft-start is always initiated.

The IC has internal filtering to prevent spurious operation from noise on EN. There is a t_{SSDLY} delay between the EN command entering a logic-high state and initiation of soft-start activity on pin SSC. There is an approximately 15 μ s delay between the EN command entering a logic-low state and cessation of PWM activity.

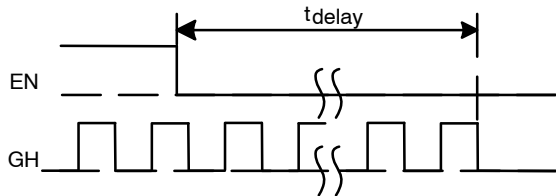


Figure 26. EN Low Response Behaviour

The low I_Q IC feature is active in diode-emulation mode only. With exception of the overtemperature protection function and output voltage monitoring function used to initiate GH pulse bursts for output voltage regulation, non-essential functions are turned-off to minimize quiescent current consumption.

Duty Cycle and Maximum Pulse Width Limits

Maximum GH duty ratio is defined by $t_{off,MIN}$, the minimum permissible GH off time. When this maximum duty ratio is reached while $V_{IN} < V_{IN_LOW}$, one or more GH off cycle pulse will be skipped to permit maintaining output voltage regulation. Although the internal 2 MHz clock frequency remains unchanged, skipping a GH off pulse results in a measured reduction of the operating frequency. For instance, skipping a single GH off pulse results in a 1 MHz measured waveform frequency.

When $V_{IN} < V_{IN_LOW}$ and VOUT falls below regulation, the period on GH pin on-time is 16 μ s and the off-time is 200 ns (Figure 27). If this occurs while operating under light load, the VSW pin has 70 ns to decay below 0.4 V for the internal logic to set the GL pin high. If the VSW pin is greater than 0.4 V after 70 ns, the GL pin will be forced high for 100 ns (Figure 28).

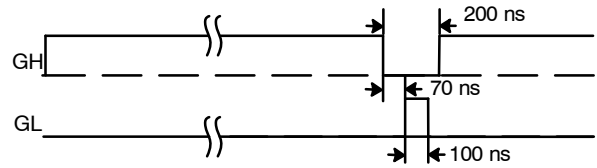


Figure 27. Gate Drive Waveforms for VSW < 0.4 V Within 70 ns of GH Going Low

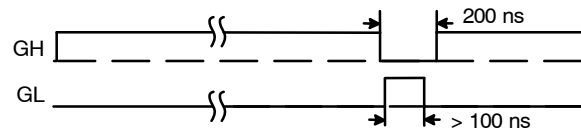


Figure 28. Gate Drive Waveforms for VSW > 0.4 V After 70 ns of GH Going Low

Feedback Voltage Error Amplifier

An operational transconductance amplifier (OTA) is used to condition the feedback voltage information. The OTA output can sink/source up to 3 μ A. During normal operation, the minimum error amplifier voltage operates between a minimum of 1.0 V and 2.2 V.

During startup, there is no minimum clamp voltage on the OTA output.

At light load, the logic will enter pulse-skip operating mode. During pulse-skip mode the minimum voltage clamp is 0.975 V, changing to 1.075 V during initial low frequency pulse burst (up to 3 pulses).

The voltage feedback and compensation networks are represented in Figure 29. $Z_U(s)$ and $Z_L(s)$ are resistor networks used as the input voltage feedback divider. R_o and C_o are the OTA output impedance characteristic. $Z_{comp}(s)$ is the OTA compensation network establishing the cross-over frequency and phase margin. Block A(s) is a level shift block having an AC gain of 0.1875.

The silicon implementation of the compensation resistor in $Z_U(s)$, $Z_L(s)$, and $Z_{comp}(s)$ consists of numerous series connected high resistance segments. Each resistor segment has a very low parasitic capacitance to ground. On a cumulative basis, the distributed capacitances may not be neglected as they affect the feedback loop phase response at cross-over frequency. A feedback loop analysis making use of datasheet parameters R_{comp} and C_{comp} without taking into account the described distributed capacitances is to be avoided.

The web model contains the necessary information to establish analytical models for $Z_U(s)$, $Z_L(s)$, $Z_{comp}(s)$ and $A(s)$. $Z_L(s)$ and $Z_{comp}(s)$ will be different between VSEL output voltage options.

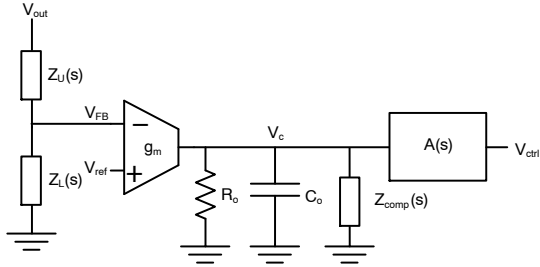


Figure 29. OTA Feedback and Compensation Block Diagram

Bootstrap

During startup, the bootstrap capacitor is charged by a sequence of eight 250 ns GL pulses having a 2 μ s period before the SSC pin is allowed to ramp up. For additional details, refer to the Soft-Start detailed application information.

Drivers

The NCV891930 has a gate drivers to switch external N-Channel MOSFETs. This allows the NCV891930 to address high-power, as well as low-power conversion requirements. The gate drivers also include adaptive non-overlap circuitry. The non-overlap circuitry increases efficiency, which minimizes power dissipation, by

minimizing the body diode conduction time, while protecting against cross-conduction (shoot-through) of the MOSFETs. A block diagram of the non-overlap and gate drive circuitry used in the chip and related external components are shown in Figure 30.

The GL driver is enabled when VSW is less than the non-overlap detection comparator threshold of 0.4 V. The GL driver response time is dependent on the comparator differential voltage that develops below the 0.4 V detection threshold; approximately 25 ns response time may be expected when operating in continuous conduction mode.

To maintain output voltage regulation when SYNCI = 0 V (or open) and $V_{INLx} < V_{IN} < V_{INH}$, GH on-time may be as low as 0 ns during non-pulse skipping mode operation. MOSFET response will depend on its $Q_g(tot)$ characteristics.

If the SW pin voltage is still greater than 0.4 V 70 ns following the rising edge of the SYNCI pulse, the IC logic will send a GL pulse to force a recharge of the bootstrap capacitor. The GL pulse width will be no greater than the SYNCI pulse width minus 70 ns. The GL pulse width must be of sufficient duration to fully turn-on the low side MOSFET. The time duration required to turn-on the low side MOSFET will be dependent on the MOSFET's gate charge specification.

The GH driver is enabled when GL voltage is less than the non-overlap detection comparator threshold of 2 V. The GH driver response time is dependent on the comparator differential voltage that develops below the 0.4 V detection threshold; response time is approximately 40 ns.

NCV891930

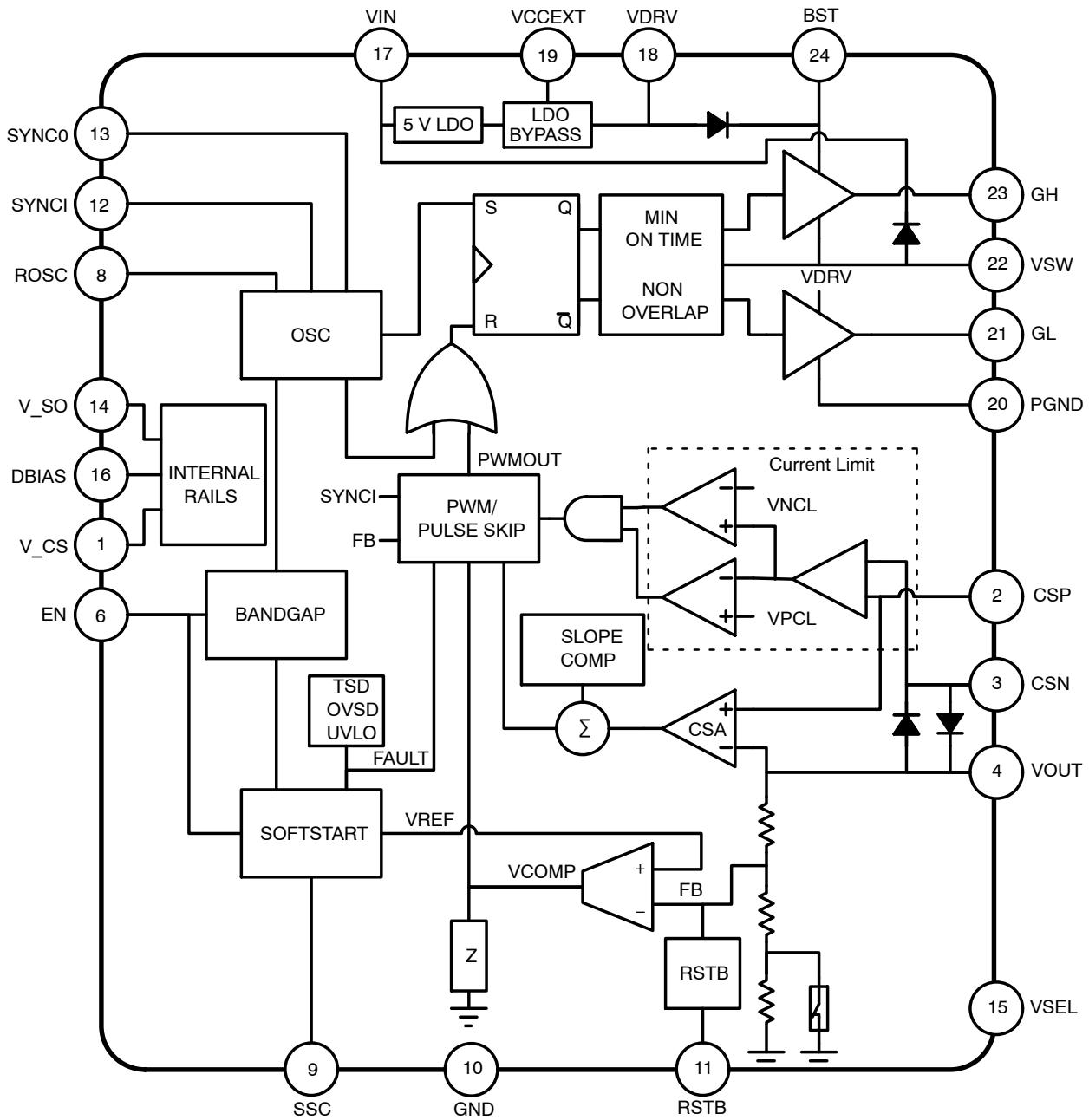


Figure 30. Simplified Block Diagram

A capacitor is placed from VSW to BST and an internal bootstrap diode is located between VDRV to BST to create a bootstrap supply on the BST pin for the high-side floating gate driver. This ensures that the voltage on BST is about 4.5 V higher than V_{SW} to drive the high-side MOSFET. The boost capacitor supplies the charge used by the gate driver to charge up the input capacitance of the high-side MOSFET, and is typically chosen to be at least a decade larger than its gate capacitance. Since the BST capacitor recharges when the low-side MOSFET is on, pulling VSW down to ground, the NCV891930 has a minimum off-time. This also means that the BST capacitor cannot be arbitrarily large, since VDRV needs to be able to replenish charge during this minimum off-time so the high-side gate driver

doesn't run out of headroom. VDRV must supply charge to both the BST capacitor and the low-side driver, so the VDRV capacitor must be sufficiently larger than the BST capacitor. A 10:1 VDRV/BST capacitor ratio is effective. A 1 μF VDRV capacitor along with a 0.1 μF BST capacitor is recommended.

Careful selection and layout of external components is required to realize the full benefit of the onboard drivers. The capacitors between VIN and GND and between BST and VSW must be placed as close as possible to the IC. The current paths for the GH and GL connections must be optimized to minimize PCB parasitic resistance and inductance.

SYNC Feature

V_{SO} is a supply voltage strictly intended for the SYNC0 output driver and should never be used to power external circuitry. The V_{SO} ceramic decoupling capacitor a minimum of 5 V voltage rating. Ground this pin if not used.

An external pulldown resistor is recommended at the SYNC1 pin if the function is unused. The SYNC0 pulse may be used to synchronize other NCV891930 ICs. If a part does not have its switching frequency controlled by the SYNC1 input, the part will operate at the oscillator frequency. A rising edge of the SYNC1 pulse causes an NCV891930 to send a GH pulse. If another rising edge does not arrive at the SYNC1 pin, the NCV891930 oscillator will take control after the master reassertion time delay which may last up to 3 clock cycles if SYNC1 is stopped at logic-low level, up to 4 cycles if SYNC1 is stopped at logic-high level. During the master reassertion time, GH will be off and GL will be active-high (i.e. switch node tied to ground). As a result, SYNC1 operating mode change is not advised.

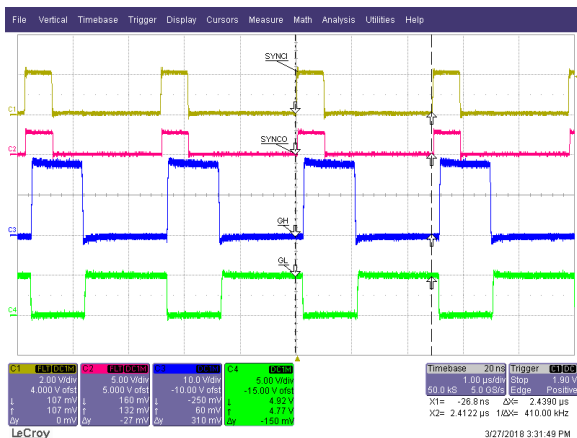
After soft-start event, SYNC0 becomes active when SSC voltage > 1.075 V. V_{HSYNC1} requires about 2 V headroom from VIN to for its rated amplitude. Amplitude will be reduced when VIN is below approximately 5 V.

During pulse-skip mode, the oscillator enters sleep mode for low I_Q operation power management and SYNC0 is inactive. SYNC0 functionality resumes when the IC exits pulse-skip mode.

When active, SYNC0 is in phase with SYNC1 (Figure 31). Rise/fall edge waveforms have a typical 10 ns delay relative to corresponding SYNC1 waveform edges.

SYNC0 will be a fixed frequency 2 MHz signal under normal voltage when part is in current limit and V_{OUT} drops by 7.5% (K_{UVFAL}). The V_{OUT} pin sinks 0 mA under typical conditions when the SYNC1 pin is logic-low. The V_{OUT} pin sinks 1 mA when any of the following conditions are present:

- SYNC1 = logic-high
- SYNC1 is driven by an external clock
- VIN < VIN_{low} threshold
- VIN > frequency foldback threshold voltage



Ch 1: SYNC1 (2 V/div) Ch 3: GH (10 V/div)
 Ch 2: SYNC0 (5 V/div) Ch 4: GL (5 V/div)

Figure 31. SYNC0 Behaviour

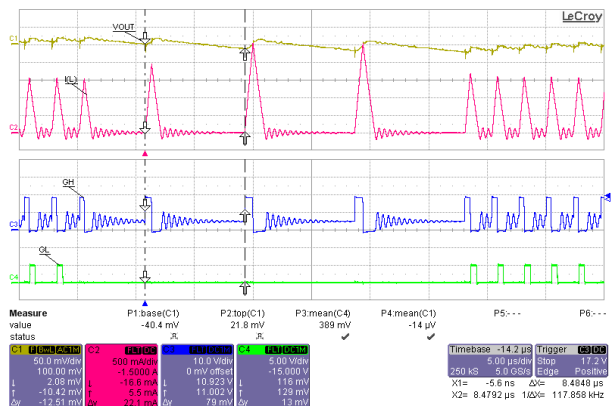
Diode-Emulation Mode

Diode-emulation mode is active when SYNC1 is either open or grounded. A comparator in the current sense block detects the CSP-CSN voltage transition from a positive voltage (positive inductor current) to 0 V (0 A inductor current). When 0 A is detected, the bottom GL signal turns off the low side MOSFET to prevent negative inductor current.

Pulse-Skip Mode

Pulse-skipping is used at near discontinuous conduction mode operation as a method to improve low current operating efficiency. Pulse-skip PWM regulation is used to mimic discontinuous conduction mode (DCM) behaviour (Figure 32). The architecture does not use current sensing for pulse-skip detection. The current sense amplifier response time and its input voltage hysteretic characteristics would have resulted in potentially objectionable output voltage ripple. Instead, the internal voltage feedback OTA compensation output voltage (V_{COMP}) is used to monitor near-DCM operating condition.

- When V_{COMP} reaches a predetermined lower voltage threshold, the IC control logic enters pulsed-skip mode to maintain regulation. Some output voltage ripple associated with the pulse skipping is to be expected
- Low-I_Q operating mode is entered during pulse-skipping event, permitting higher efficiency operation under low output power operation. The duration is dependent on operating conditions. When the controller exits pulse-skip mode, normal PWM regulation is preceded by up to three 500 kHz pulses (2 MHz/4) as internal logic comes out of low-I_Q mode
- As the OTA V_{COMP} is used for feedback control, the V_{COMP} will not remain constant, increasing to resume PWM activity



Ch 1: Power supply output voltage (50 mV/div)
 Ch 2: Power supply input voltage
 (between input EMI filter and buck converter, 20 mV/div)
 Ch 3: Output inductor current (1 A/div)
 Ch 4: IC gate high (GH) (10 V/div)

Figure 32. IC Pulse-Skip PWM Behaviour, Borderline Pulse-Skip Region

The thermal shutdown protection circuitry is activated at $T_J \approx 85^\circ\text{C}$ and remains active during pulse-skipping, consuming additional quiescent current.

Feedback Loop Measurement

The compensation network and voltage feedback OTA are internal to the IC. Monitoring points permitting measurements of the modulator control-to-output response and the OTA compensation network are not accessible. The open-loop-response in closed-loop-form may be measured by injecting a signal between the power supply output and IC-VOUT. The signal injection path must not share a power path; traces to IC-VCCEXT and IC-CSN must kept outside the signal injection path.

When operating in diode-emulation mode, the OTA feedback loop is disabled when pulse skipping occurs and a hysteretic type mode control is activated. It may be found in literature that feedback loop measurements from small signal injection with hysteretic control yields meaningless information.

Current Limiting and Overcurrent Protection

Current limit activation propagation delay between the sense resistor reaching the threshold and the GH gate turning off is typically about 39 ns delay. Voltage regulation continues despite slight increase in peak inductor current as a consequence of this current limit propagation delay. If the

peak inductor current occurs after this propagation delay, duty ratio will decrease.

Oscillator

ROSC resistance value will have no influence on f_{SW} below 2 MHz. ROSC and f_{ROSC} may be calculated for a frequency range of 2 MHz (46 kΩ) to 2.5 MHz (9.01 kΩ) with the following expression.

$$R_{OSC} = a \cdot (f_{ROSC} - b)^c \text{ k}\Omega \quad (\text{eq. 3})$$

Where

$$a = 5.5689$$

$$b = 1.8638$$

$$c = -1.0380$$

f_{ROSC} expressed in MHz

$$f_{ROSC} = 2 \cdot \left[A + \frac{B}{1 + \left(\frac{R_{OSC}}{C}\right)^D} \right] \text{ MHz} \quad (\text{eq. 4})$$

Where

$$A = 0.93976$$

$$B = 3.6294$$

$$C = 0.93511$$

$$D = 1.04638$$

R_{OSC} expressed in kΩ

When operating under frequency foldback conditions, the f_{ROSC} frequency will be 1 MHz.

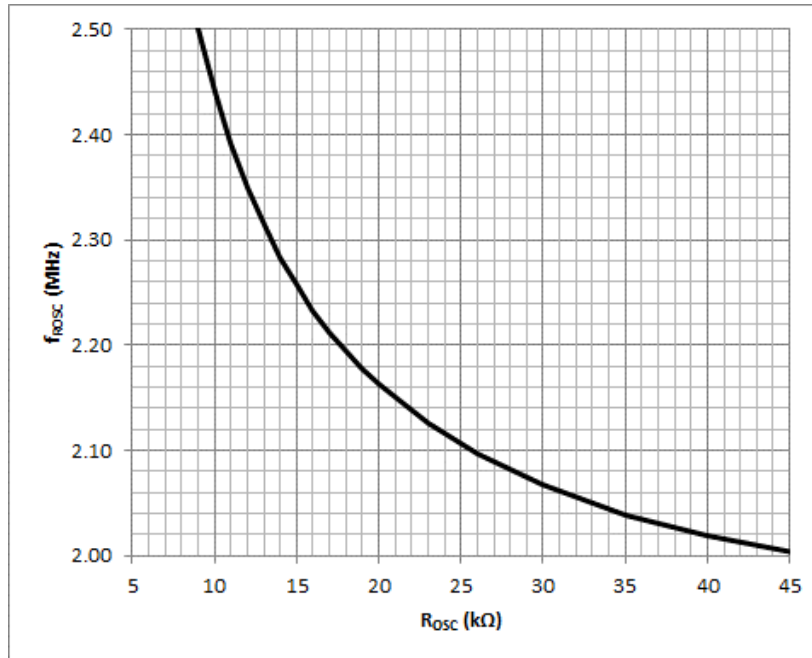


Figure 33. f_{ROSC} vs ROSC

Spread Spectrum

In SMPS devices, switching translates to higher efficiency. As a consequence, the switching also leads to a higher EMI profile. We can greatly reduce some of the peak

radiated emissions with some spread spectrum techniques. Spread spectrum is a method used to reduce the peak electromagnetic emissions of a switching regulator.

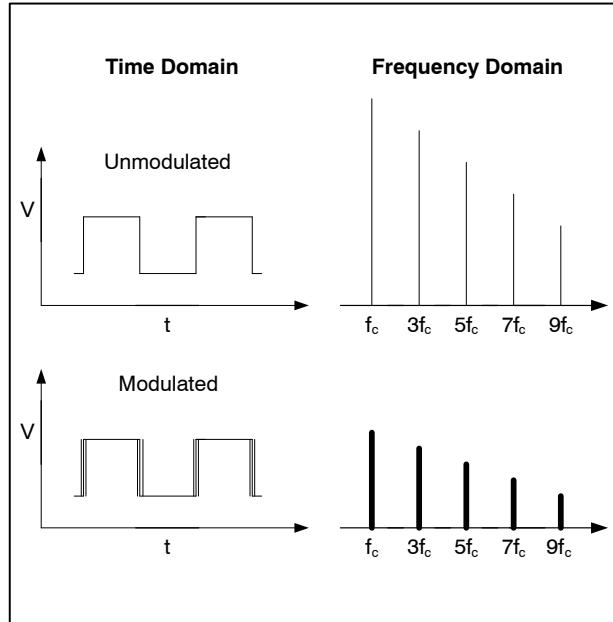


Figure 34. Spread Spectrum Comparison

The NCV891930 has spread spectrum functionality for reduced peak radiated emissions. This IC uses a pseudo-random generator to set the oscillator frequency to one of 8 discrete frequency bins. Each digital bin represents a shift in frequency by 40 kHz over the range 2.0 MHz to 2.28 MHz. Over time, each bin is used an equal number of times to ensure an even spread of the spectrum. This reduces the peak energy at the fundamental 2 MHz frequency, and spreads it into a wider band.

The period of each cycle will change inversely to the switching frequency but the duty cycle, however, will remain constant.

Thermal Shutdown

A thermal shutdown circuit inhibits switching and resets the soft-start circuit if internal temperature exceeds a safe level indicated by the thermal shutdown activation temperature (T_{SD}). Switching is automatically restored when temperature returns to a safe level based on the thermal shutdown hysteresis ($T_{SD,HYS}$).

Table 5. PSEUDO-RANDOM FREQUENCY BINS

14% Pseudo Random Bin #	Switching Frequency
0	2.00 MHz
1	2.04 MHz
2	2.08 MHz
3	2.12 MHz
4	2.16 MHz
5	2.20 MHz
6	2.24 MHz
7	2.28 MHz

Efficiency

During the brief time duration when both high-side and low-side transistors are turned-off, free-wheeling current flows through the low-side transistor’s intrinsic body diode. An optional Schottky diode across the low-side transistor may be used for an incremental efficiency improvement.

Efficiency curves for NCV891930 5 V demo board ($V_{CCEXT} = V_{OUT}$) are shown in Figure 35.

NCV891930

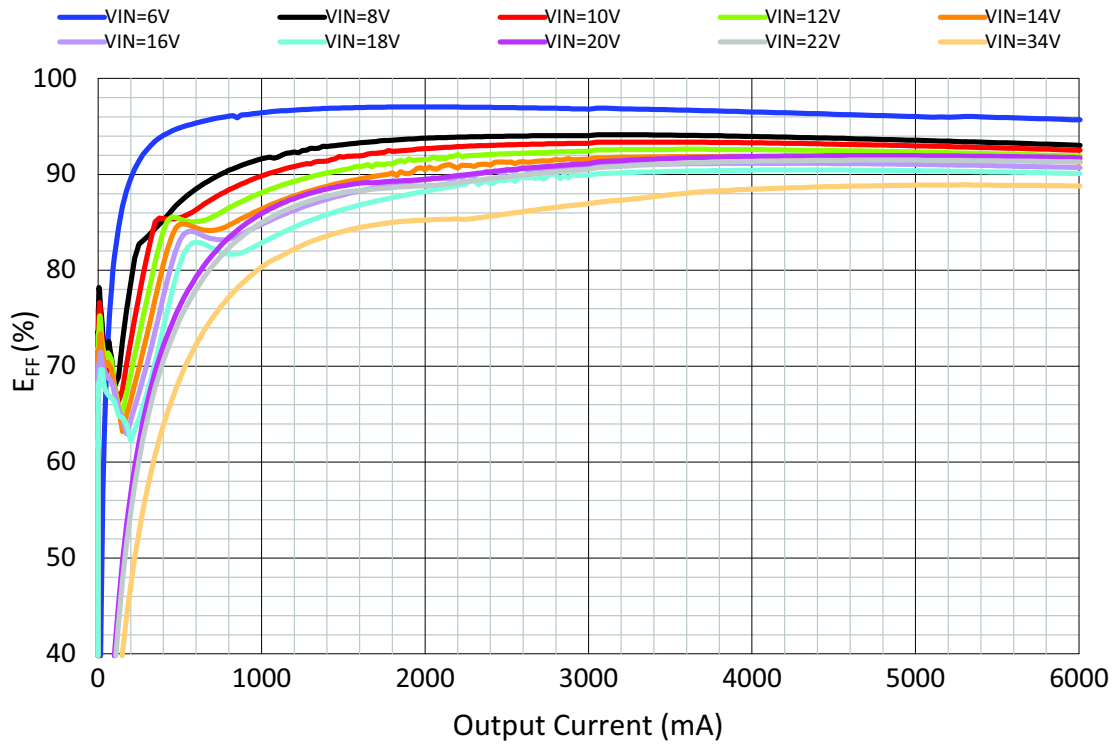


Figure 35. Efficiency vs Load Current (5 V Demo Board, SYNC1 = 0 V)

Exposed Pad

The EPAD must be electrically connected to both the analog and the power electrical ground GND and PGND pins on the PCB for proper, noise-free operation. It is

recommended to connect these two pins directly to the EPAD with a PCB trace. Recommended layout information may be found on the web accessible demo board information.

APPLICATIONS INFORMATION

Design Methodology

Choosing external components encompasses the following design process:

1. Operational parameter definition
2. Switching frequency selection (ROSC)
3. Output inductor selection
4. Current sense resistor selection
5. Output capacitor selection
6. Input capacitor selection
7. Thermal considerations

(1) Operational Parameter Definition

Before proceeding with the rest of the design, certain operational parameters must be defined. These are application dependent and include the following:

V_{IN}: input voltage, range from minimum to maximum with a typical value [V]

V_{OUT}: output voltage [V]

I_{OUT}: output current, range from minimum to maximum with initial start-up value [A]

I_{CL}: desired typical current limit [A]

A number of basic calculations must be performed up-front to use in the design process, as follows:

$$D_{MIN} = \frac{V_{OUT}}{V_{IN(MAX)}} \quad (\text{eq. 5})$$

$$D = \frac{V_{OUT}}{V_{IN(TYP)}} \quad (\text{eq. 6})$$

$$D_{MAX} = \frac{V_{OUT}}{V_{IN(MIN)}} \quad (\text{eq. 7})$$

where: D_{MIN}: minimum duty cycle (ideal) [%]

V_{IN(MAX)}: maximum input voltage [V]

D: typical duty cycle (ideal) [%]

V_{IN(TYP)}: typical input voltage [V]

D_{MAX}: maximum duty cycle (ideal) [%]

V_{IN(MIN)}: minimum input voltage [V]

These are ideal duty cycle expressions; actual duty cycles will be marginally higher than these values. Actual duty cycles are dependent on load due to voltage drops in the MOSFETs, inductor and current sense resistor.

(2) Switching Frequency Selection (ROSC)

Selecting the switching frequency is a trade-off between component size and power losses. Operation at higher switching frequencies allows the use of smaller inductor and capacitor values to achieve the same inductor current ripple and output voltage ripple. However, increasing the frequency increases the switching losses of the MOSFETs, leading to decreased efficiency, especially noticeable at light loads.

Typically, the switching frequency is selected to avoid interfering with signals of known frequencies. Often, in this

case, the frequency can be programmed to a lower value with ROSC and then a higher-frequency signal can be applied to the SYNC pin to increase the frequency dynamically to avoid given frequencies. A spread spectrum signal could also be used for the SYNC input, as long as the lowest frequency in the range is above the programmed frequency set by ROSC. Additionally, the highest SYNC frequency must not exceed maximum switching frequency limits.

There are two limits on the maximum allowable switching frequency: minimum off-time and minimum on-time. These set two different maximum switching frequencies, as follows:

$$f_{S(MAX)1} = \frac{1 - D_{MAX}}{T_{MinOff}} \quad (\text{eq. 8})$$

$$f_{S(MAX)2} = \frac{D_{MIN}}{T_{MinOn}} \quad (\text{eq. 9})$$

where: f_{S(MAX)1}: maximum switching frequency due to minimum off-time [Hz]

T_{MinOff}: minimum off-time [s]

f_{S(MAX)2}: maximum switching frequency due to minimum on-time [Hz]

T_{MinOn}: minimum on-time [s]

Alternatively, the minimum and maximum operational input voltage can be calculated as follows:

$$V_{IN(MIN)} = \frac{V_{OUT}}{1 - T_{MINOff} \cdot f_s} \quad (\text{eq. 10})$$

$$V_{IN(MAX)} = \frac{V_{OUT}}{T_{MINOn} \cdot f_s} \quad (\text{eq. 11})$$

where: f_S: switching frequency [Hz]

The switching frequency is programmed by selecting the resistor connected between the ROSC pin and ground. The grounded side of this resistor should be directly connected to the GND pin. Avoid running any noisy signals beneath the resistor, as injected noise could cause frequency jitter. The graph in Figure 33 shows the required resistance to program the frequency.

(3) Output Inductor Selection

Both mechanical and electrical considerations influence the selection of an output inductor. From a mechanical perspective, smaller inductor values generally correspond to smaller physical size. Since the inductor is often one of the largest components in the power supply, a minimum inductor value is particularly important in space-constrained applications. From an electrical perspective, an inductor is chosen for a set amount of ripple current and to assure adequate transient response.

Larger inductor values limit the switcher's ability to slew current through the output inductor in response to output

load transients, impacting incremental dynamic response. While the inductor is slewing current during this time, output capacitors must supply the load current. Therefore, decreasing the inductance allows for less output capacitance to hold the output voltage up during a load transient.

A ripple current δI_L equaling 20–40% of the output rated current is a typical objective when selecting an inductor value for a duty ratio D normally selected at the nominal input operating voltage. The inductor value may be calculated using the following expression:

$$L = \frac{V_{OUT} \cdot (1 - D)}{\delta I_L \cdot f_s} \quad (\text{eq. 12})$$

Inductor saturation current is specified by inductor manufacturers as the current at which the inductance value has dropped a certain percentage from the nominal value, typically 10–30%. It is recommended to choose an inductor with saturation current sufficiently higher than the peak output current, such that the inductance is very close to the nominal value at the peak output current. This introduces a safety factor and allows for more optimized compensation.

Inductor efficiency is another consideration when selecting an output inductor. Inductor losses include DC and AC winding losses as well as core losses. Core losses are proportional to the amplitude of the ripple current and operating frequency.

AC winding losses are based on the AC resistance of the winding and the RMS ripple current through the inductor, which is much lower than the DC current. AC winding losses are due to skin and proximity effects and are typically much less than the DC losses, but increase with frequency. The DC winding losses in the inductor can be calculated with the following equation:

$$P_{L(DC)} = I_{OUT}^2 \cdot R_{DC} \quad (\text{eq. 13})$$

where: $P_{L(DC)}$: DC winding losses in the output inductor
 R_{DC} : DC resistance of the output inductor (DCR)

(4) Current Sense Resistor Selection

Current sensing for peak current mode control relies on the amplitude of the inductor current. The current is translated into a voltage via a current sense resistor placed in series with the output inductor located between the output inductor and capacitors. The resulting voltage is then measured differentially by a current sense amplifier, generating a single-ended output to use as a control signal. If a current sense π -filter is implemented as in Figure 24, the following expression may be used to determine the current sense resistor value.

$$R_i = \frac{V_{PCL,N} + R_{SF2} \cdot I_{CSN}}{I_{L(PK)} \cdot K} \quad (\text{eq. 14})$$

Where $V_{PCL,N}$: positive current limit threshold voltage [V]
 R_{SF2} : π -filter CSN- V_{OUT} resistor [Ω] (set value in

expression to 0 Ω if there is no filter)

$I_{L(PK)}$: peak inductor current at rated output current [A]

K: design margin to account for inductor variation as well as extra current required to support load transient response. A value of ~120% is commonly used [%].

Alternative current measurement methods such as lossless inductor current sensing may be feasible but beyond the scope of this document.

(5) Output Capacitor Selection

When used in conjuncture with ceramic capacitors, aluminum polymer/hybrid bulk capacitors are recommended instead of aluminum electrolytic capacitors due to their low $-40^\circ\text{C}/25^\circ\text{C}$ ESR ratio. Use of EMI bulk capacitors having a high $-40^\circ\text{C}/25^\circ\text{C}$ ESR ratio may result in an ineffective output filter along with potential stability issues under cold temperature operating conditions.

The output capacitor is a basic component for the fast response of the power supply. During the first few microseconds following a load step, it supplies the incremental load current. The controller immediately recognizes the load step and increases the duty cycle, but the current slew rate is limited by the inductor. During a load release, the output voltage will overshoot. The capacitance will decrease this undesirable response, decreasing the amount of voltage overshoot.

The worst case is when initial current is at the current limit and the initial voltage is at the output voltage set point, calculating. The overshoot is:

$$\delta V_{OS(MAX)} = \sqrt{\frac{L}{C} \cdot I_{CL}^2 + V_{OUT}^2} - V_{OUT} \quad (\text{eq. 15})$$

Accordingly, a minimum amount of capacitance can be chosen for a maximum allowed output voltage overshoot:

$$C_{min} = \frac{L \cdot I_{CL}^2}{\delta V_{OS(MAX)} \cdot (2 \cdot V_{OUT} + \delta V_{OS(MAX)})} \quad (\text{eq. 16})$$

where: C_{MIN} : minimum amount of capacitance to minimize voltage overshoot to $\delta V_{OS(MAX)}$ [F]

$\delta V_{OS(MAX)}$: maximum allowed voltage overshoot during a load release to 0 A [V]

A maximum amount of capacitance can be found based on the output inductor overshoot current and current limit. To calculate the output inductor startup overshoot current, the following approximation may be used (inductor ripple current not considered):

$$I_{L(OS)} = \frac{C_{OUT} \cdot V_{OUT}}{t_{ss}} + I_{OUT(i)} \quad (\text{eq. 17})$$

where: $I_{L(OS)}$: Output inductor overshoot current during startup [A]

$I_{OUT(i)}$: Output current during startup [A]

During soft-start, the inductor current must provide current to the load as well as current to charge the output capacitor. The current limit defines the maximum current which the inductor is allowed to conduct. Setting the inrush current to the current limit places a limit on the maximum capacitor value (inductor ripple current not considered) as follows:

$$C_{MAX} = \frac{(I_{CL} - I_{OUT}) \cdot t_{ss}}{V_{OUT}} \quad (\text{eq. 18})$$

where: C_{MAX} : maximum output capacitance [F]

Capacitors should also be chosen to provide acceptable output voltage ripple with a DC load, in addition to limiting voltage overshoot during a dynamic response. Key specifications are equivalent series resistance (ESR) and equivalent series inductance (ESL). The output capacitors must have very low ESL for best transient response. The PCB traces will add to the ESL, but by positioning the output capacitors close to the load, this effect can be minimized and ESL neglected when determining output voltage ripple.

The total peak-to-peak ripple δV_{OUT} is defined as:

$$\delta V_{OUT} = \delta I_L \left(\frac{1}{8 \cdot C \cdot f_{SW}} + r_{ESR} \right) \quad (\text{eq. 19})$$

Where: δV_{OUT} : total output voltage ripple due to output capacitance and its ESR [V_{pp}]

r_{ESR} : output capacitor ESR [Ω]

Capacitor ESR corresponding to the operating frequency f_s must be used. The steady-state power lost from the capacitor ESR may be calculated as follows:

$$P_{C(ESR)} = \frac{1}{3} \cdot \delta I_L^2 \cdot r_{ESR} \quad (\text{eq. 20})$$

(6) Input Capacitor Selection

The input EMI capacitors must sustain the ripple current produced during the on time of the high-side MOSFET and must have a low ESR to minimize the losses. The RMS value of this ripple is:

$$I_{IN(RMS)} = I_{OUT} \cdot \sqrt{D \cdot (1 - D)} \quad (\text{eq. 21})$$

where: $I_{IN(RMS)}$ = input RMS current [A]

The peak harmonic current will be at the switching frequency. The above equation reaches its maximum value with $D = 0.5$, $I_{IN(RMS)} = I_{OUT}/2$. The input capacitors must be rated to handle the RMS ripple current.

Input capacitor RMS current losses may be calculated with the following equation:

$$P_{CIN} = I_{IN(RMS)}^2 \cdot R_{ESR(CIN)} \quad (\text{eq. 22})$$

where: P_{CIN} = power loss from the input capacitors

$R_{ESR(CIN)}$ = effective series resistance of the input capacitance

Due to large current transients through the input capacitors, electrolytic, polymer or ceramics should be used. Aluminum electrolytic specifications often require closer scrutiny due to poor ESR cold temperature characteristics. As a result of the large ripple current, it is common to place ceramic capacitors in parallel with the bulk electrolytic/polymer input capacitors to reduce switching voltage ripple. A value of 0.01 μF to 0.1 μF placed near the MOSFETs is also recommended.

Output impedance magnitude of the EMI filter $Z_{outFILTER}(f)$ must be much smaller than input impedance magnitude of the filtered converter $Z_{inSMPS}(f)$.

$$|Z_{outFILTER}(f)| \ll |Z_{inSMPS}(f)| \quad (\text{eq. 23})$$

Analysis of these impedances may require complex calculations or simulations. For simple LC input EMI filters, a good first order approximation for evaluating the inequality may be obtained with the use of the following approximation:

$$Z_{outFILTER} \approx \sqrt{\frac{L_{EMI}}{C_{EMI}}} \quad (\text{eq. 24})$$

$$Z_{inFILTER} \approx \frac{V_{IN}^{2 \cdot \eta}}{P_{OUT}} \quad (\text{eq. 25})$$

where: η = power supply efficiency [%]

(7) Thermal Considerations

This controller is intended to be used in applications where currents of up to 6 A may exist. The following should be considered for best performance.

- Use of 2 oz (70 micron) copper for the high current handling layers
- 4 layer (or more) boards are best suited to facilitate thermal management of lossy devices (output inductor, MOSFETs, IC)
 - ♦ High frequency layout methods dictate that the controller will be placed near the synchronous MOSFET switches. Inadequate thermal management of the power dissipating devices will result in significant localized PCB temperature rise from thermal coupling between devices and case-ambient thermal resistances. Resulting IC (and MOSFET) case temperatures may become significantly higher than ambient temperature

Maximizing thermal dissipation surface area beneath the IC along with liberal use of thermal vias is recommended.

NCV891930

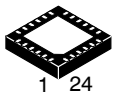
Table 6. ORDERING INFORMATION

Device	Status	Output Voltage	Marking	Package	Shipping [†]
NCV891930MW00R2G	Not Recommended for New Designs	3.3 V/5.0 V	V8919 3000	QFN24 (Pb-Free)	4000 / Tape & Reel
NCV891930MW01R2G	Not Recommended for New Designs	3.65 V/4.0 V	V8919 3001		
NCV891930MW00AR2G	Recommended	3.3 V/5.0 V	8919A 3000		
NCV891930MW01AR2G	Recommended	3.65 V/4.0 V	8919A 3001		

[†]For information on tape and reel specifications, including part orientation and tape sizes, please refer to our Tape and Reel Packaging Specifications Brochure, BRD8011/D.

NOTE: The NCV891930 will not offer the alternate construction leadframe version illustrated in Detail A and Detail B in the Package Dimensions.

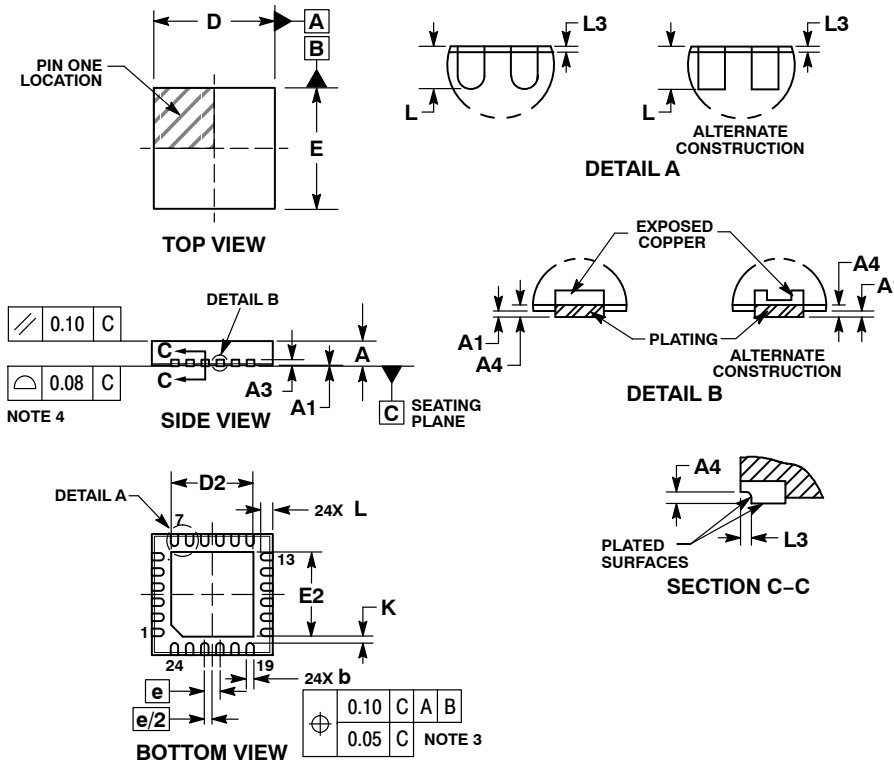
MECHANICAL CASE OUTLINE PACKAGE DIMENSIONS



SCALE 2:1

QFNW24 4x4, 0.5P
CASE 484AE
ISSUE A

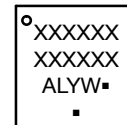
DATE 07 AUG 2018



- NOTES:
1. DIMENSIONING AND TOLERANCING PER ASME Y14.5M, 1994.
 2. CONTROLLING DIMENSION: MILLIMETERS.
 3. DIMENSION b APPLIES TO PLATED TERMINAL AND IS MEASURED BETWEEN 0.15 AND 0.30 MM FROM THE TERMINAL TIP.
 4. COPLANARITY APPLIES TO THE EXPOSED PAD AS WELL AS THE TERMINALS.

DIM	MILLIMETERS		
	MIN	NOM	MAX
A	0.80	0.85	0.90
A1	---	---	0.05
A3	0.20 REF		
A4	0.10	---	---
b	0.20	0.25	0.30
D	3.90	4.00	4.10
D2	2.70	2.80	2.90
E	3.90	4.00	4.10
E2	2.70	2.80	2.90
e	0.50 BSC		
K	0.20	---	---
L	0.35	0.40	0.45
L3	0.00	0.05	0.10

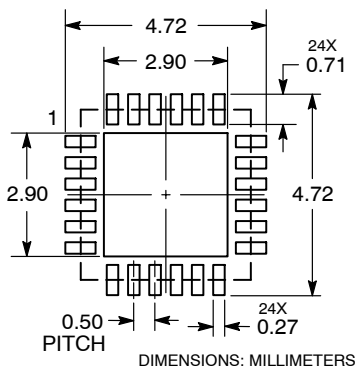
GENERIC MARKING DIAGRAM*



- XXXXXX = Specific Device Code
- A = Assembly Location
- L = Wafer Lot
- Y = Year
- W = Work Week
- = Pb-Free Package

(Note: Microdot may be in either location)
*This information is generic. Please refer to device data sheet for actual part marking. Pb-Free indicator, "G" or microdot "▪", may or may not be present. Some products may not follow the Generic Marking.

RECOMMENDED SOLDERING FOOTPRINT



DOCUMENT NUMBER:	98AON17722G	Electronic versions are uncontrolled except when accessed directly from the Document Repository. Printed versions are uncontrolled except when stamped "CONTROLLED COPY" in red.
DESCRIPTION:	QFNW24 4x4, 0.5P	PAGE 1 OF 1

onsemi and onsemi are trademarks of Semiconductor Components Industries, LLC dba onsemi or its subsidiaries in the United States and/or other countries. onsemi reserves the right to make changes without further notice to any products herein. onsemi makes no warranty, representation or guarantee regarding the suitability of its products for any particular purpose, nor does onsemi assume any liability arising out of the application or use of any product or circuit, and specifically disclaims any and all liability, including without limitation special, consequential or incidental damages. onsemi does not convey any license under its patent rights nor the rights of others.

onsemi, **Onsemi**, and other names, marks, and brands are registered and/or common law trademarks of Semiconductor Components Industries, LLC dba "**onsemi**" or its affiliates and/or subsidiaries in the United States and/or other countries. **onsemi** owns the rights to a number of patents, trademarks, copyrights, trade secrets, and other intellectual property. A listing of **onsemi**'s product/patent coverage may be accessed at www.onsemi.com/site/pdf/Patent-Marking.pdf. **onsemi** reserves the right to make changes at any time to any products or information herein, without notice. The information herein is provided "as-is" and **onsemi** makes no warranty, representation or guarantee regarding the accuracy of the information, product features, availability, functionality, or suitability of its products for any particular purpose, nor does **onsemi** assume any liability arising out of the application or use of any product or circuit, and specifically disclaims any and all liability, including without limitation special, consequential or incidental damages. Buyer is responsible for its products and applications using **onsemi** products, including compliance with all laws, regulations and safety requirements or standards, regardless of any support or applications information provided by **onsemi**. "Typical" parameters which may be provided in **onsemi** data sheets and/or specifications can and do vary in different applications and actual performance may vary over time. All operating parameters, including "Typicals" must be validated for each customer application by customer's technical experts. **onsemi** does not convey any license under any of its intellectual property rights nor the rights of others. **onsemi** products are not designed, intended, or authorized for use as a critical component in life support systems or any FDA Class 3 medical devices or medical devices with a same or similar classification in a foreign jurisdiction or any devices intended for implantation in the human body. Should Buyer purchase or use **onsemi** products for any such unintended or unauthorized application, Buyer shall indemnify and hold **onsemi** and its officers, employees, subsidiaries, affiliates, and distributors harmless against all claims, costs, damages, and expenses, and reasonable attorney fees arising out of, directly or indirectly, any claim of personal injury or death associated with such unintended or unauthorized use, even if such claim alleges that **onsemi** was negligent regarding the design or manufacture of the part. **onsemi** is an Equal Opportunity/Affirmative Action Employer. This literature is subject to all applicable copyright laws and is not for resale in any manner.

ADDITIONAL INFORMATION

TECHNICAL PUBLICATIONS:

Technical Library: www.onsemi.com/design/resources/technical-documentation
onsemi Website: www.onsemi.com

ONLINE SUPPORT: www.onsemi.com/support

For additional information, please contact your local Sales Representative at www.onsemi.com/support/sales